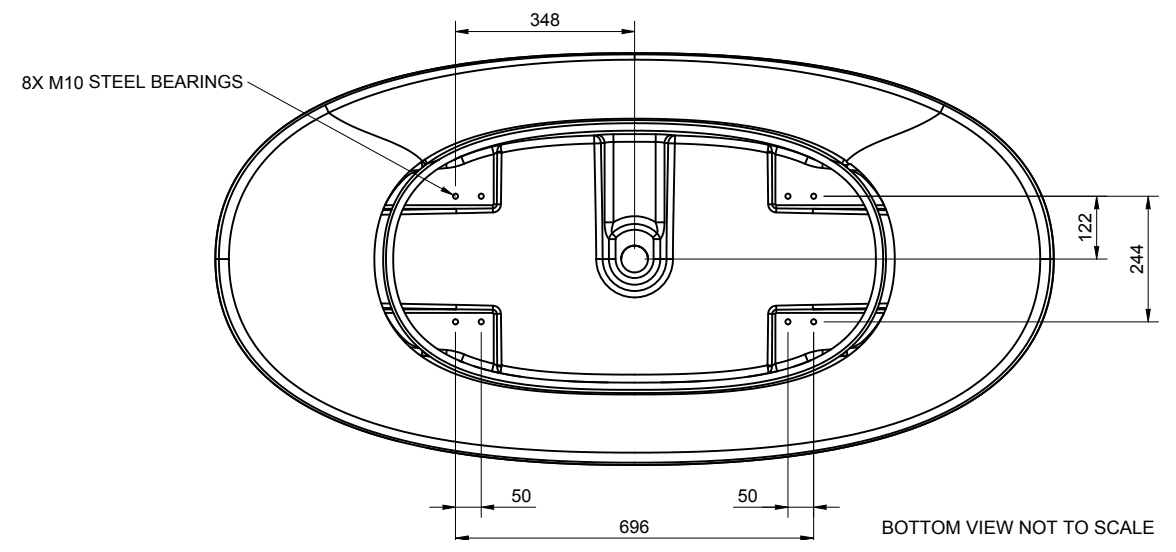
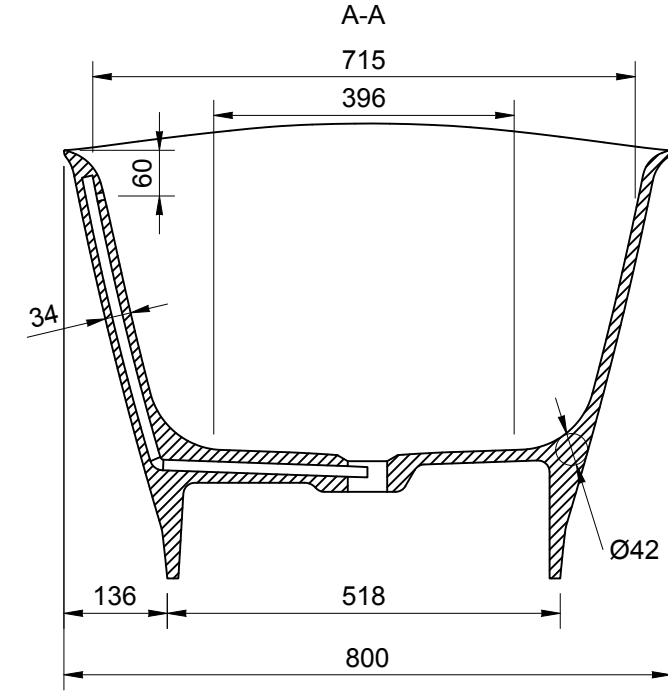
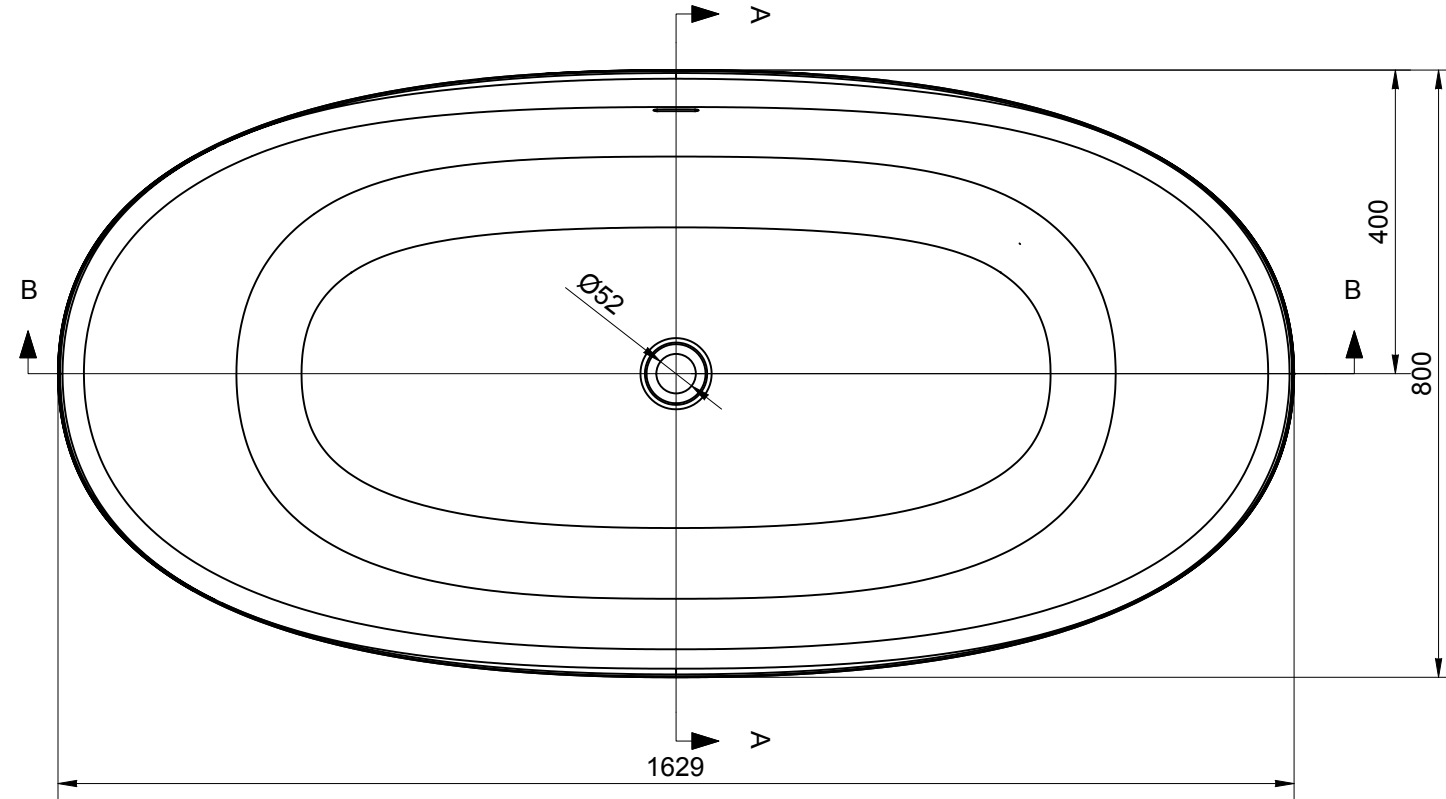
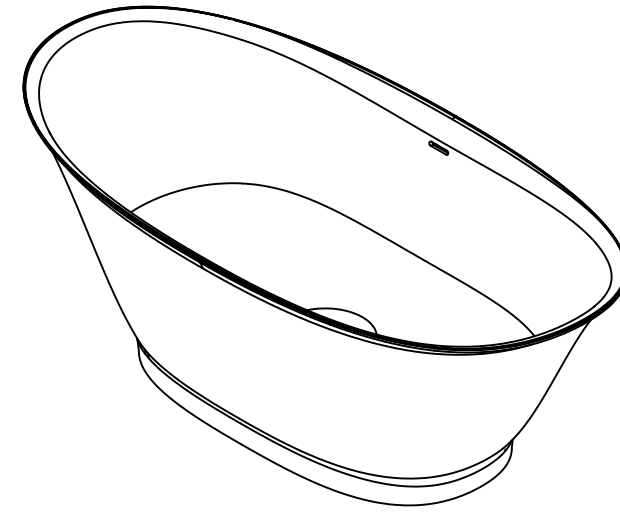
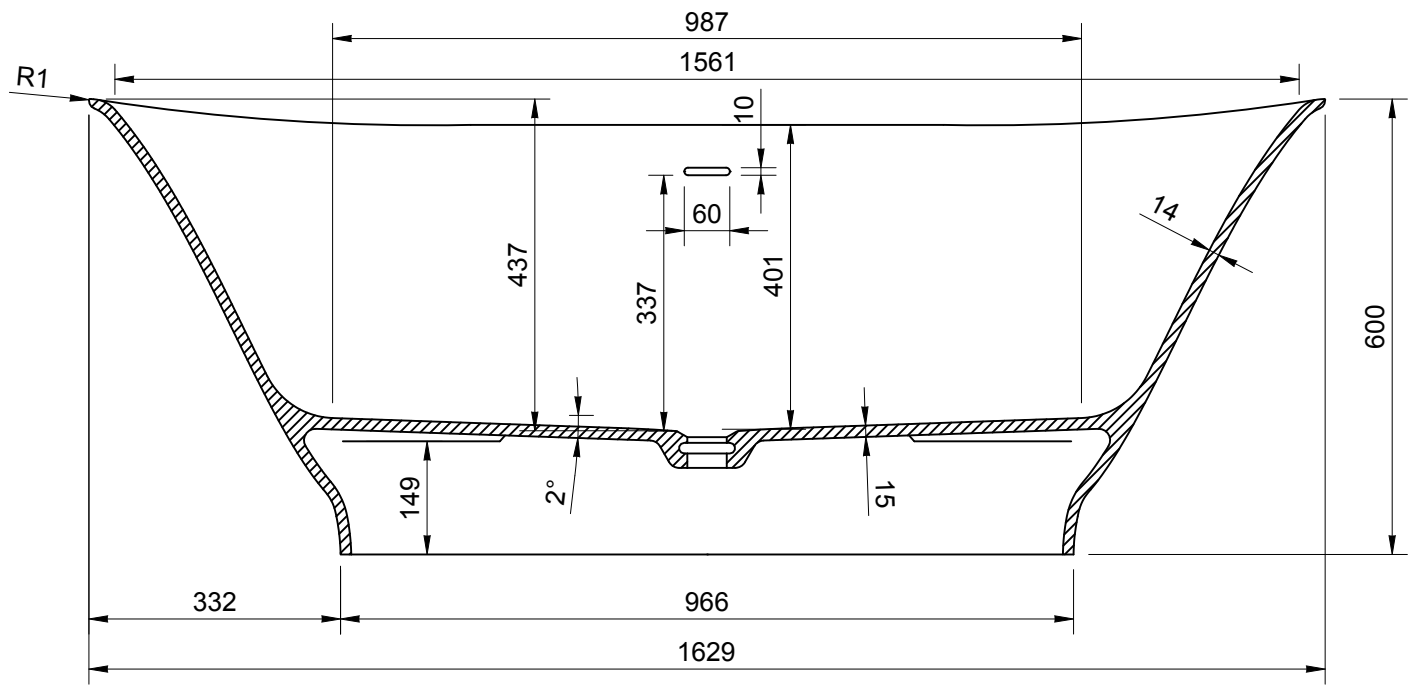


| REV | DATE | DESCRIPTION | DRAWN | CHECKED |
|-----|----------|-----------------|-------|---------|
| - | 03/02/21 | DRAWING CREATED | MF | MF |



| TOLERANCE LENGTH / WIDTH / HEIGHT | +10/ -10mm | CREATED | DRAWN BY | CHECKED BY | DRAWING TITLE | DRAWING No. | CURRENT REV. | VARIANT 1 - GLOSS FINISH | AUS-GW | SHEET | SHEET SIZE | SCALE | |
|-----------------------------------|------------|---------------|----------|------------|---------------|-------------|--------------|--------------------------|------------|--------------|-------------------------------|-------|--|
| TOL. PLANE BENDING | ≤ 800mm | +1.5 / -1.5mm | 03/02/21 | MF | AUSTEN BATH | AUS | - | VARIANT 1 - MATT FINISH | AUS-MW | 1/1 | A3 | 1:10 | |
| | > 800mm | +3 / -3mm | | | | | | | | | | | |
| TOLERANCE HOLES LOCATION | | +3 / -3mm | | | | | | | | | | | |
| TOLERANCE HOLES DIAMETER | | +1 / -1mm | | | | | | | | | | | |
| TOLERANCE WALL THICKNESS | | +1 / -1mm | | | | | | | | | | | |
| TOLERANCE FEET LOCATION | | +5 / -5mm | | | | | | | | | | | |
| | | | | | | | | | NET WEIGHT | GROSS WEIGHT | BATH VOLUME | | |
| | | | | | | | | | 84.64g | 110kg | FULL = 280L OVERFLOW= 220L | | |