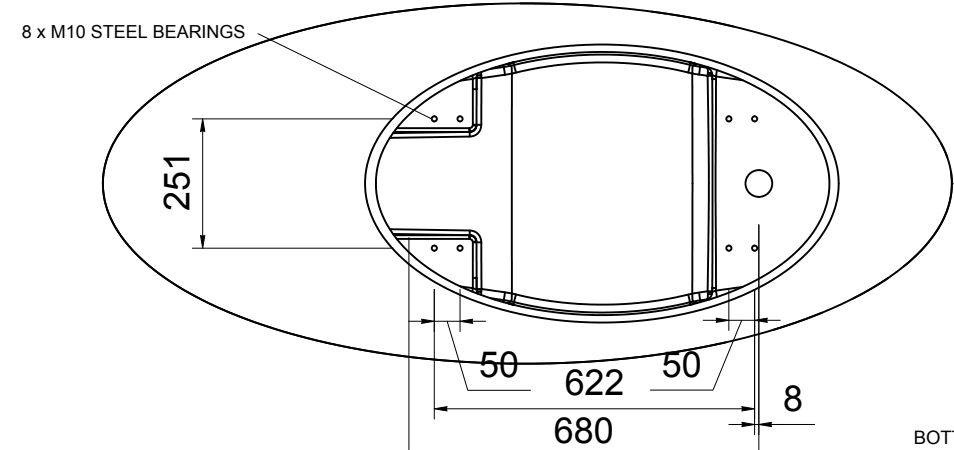
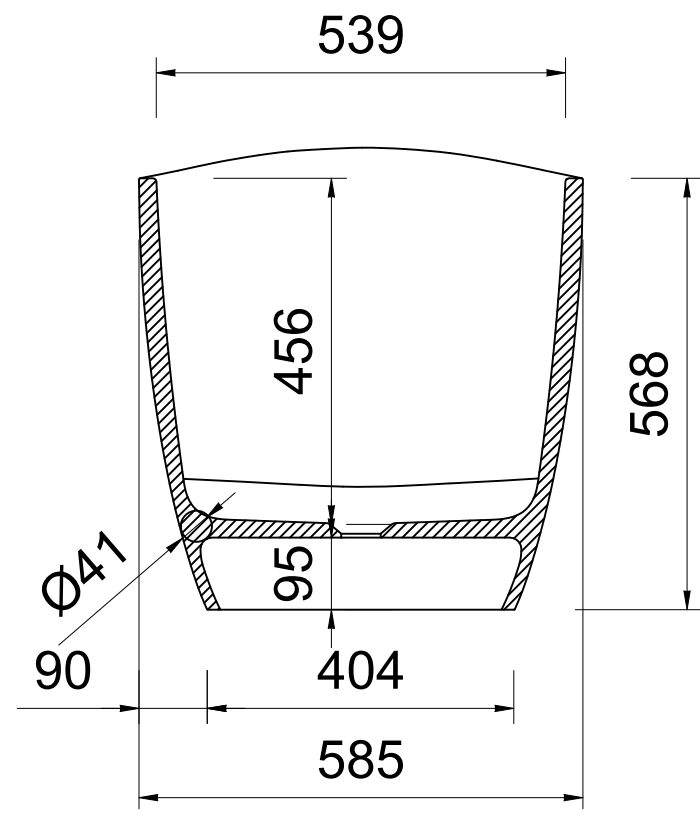
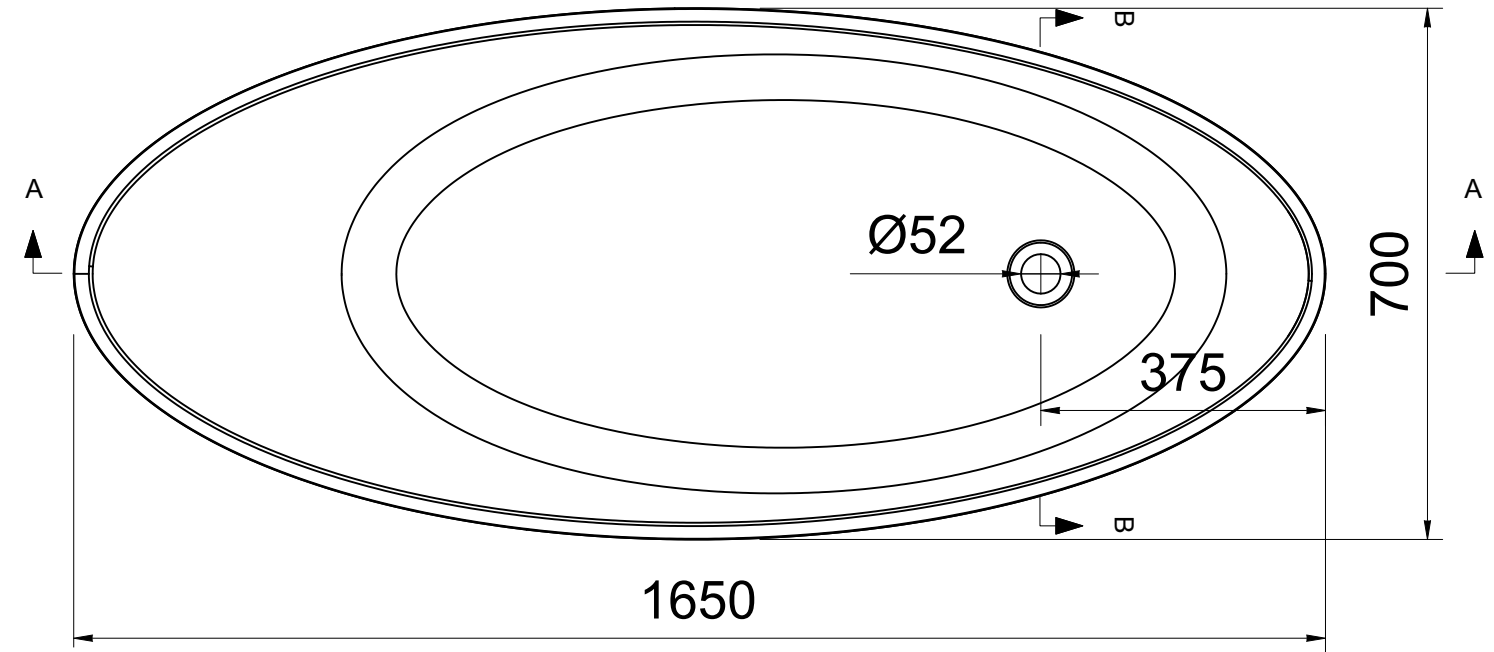
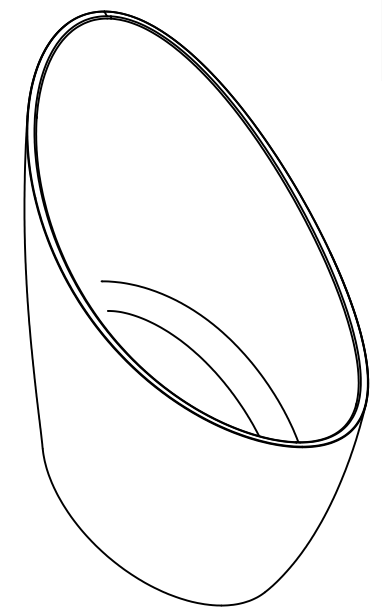
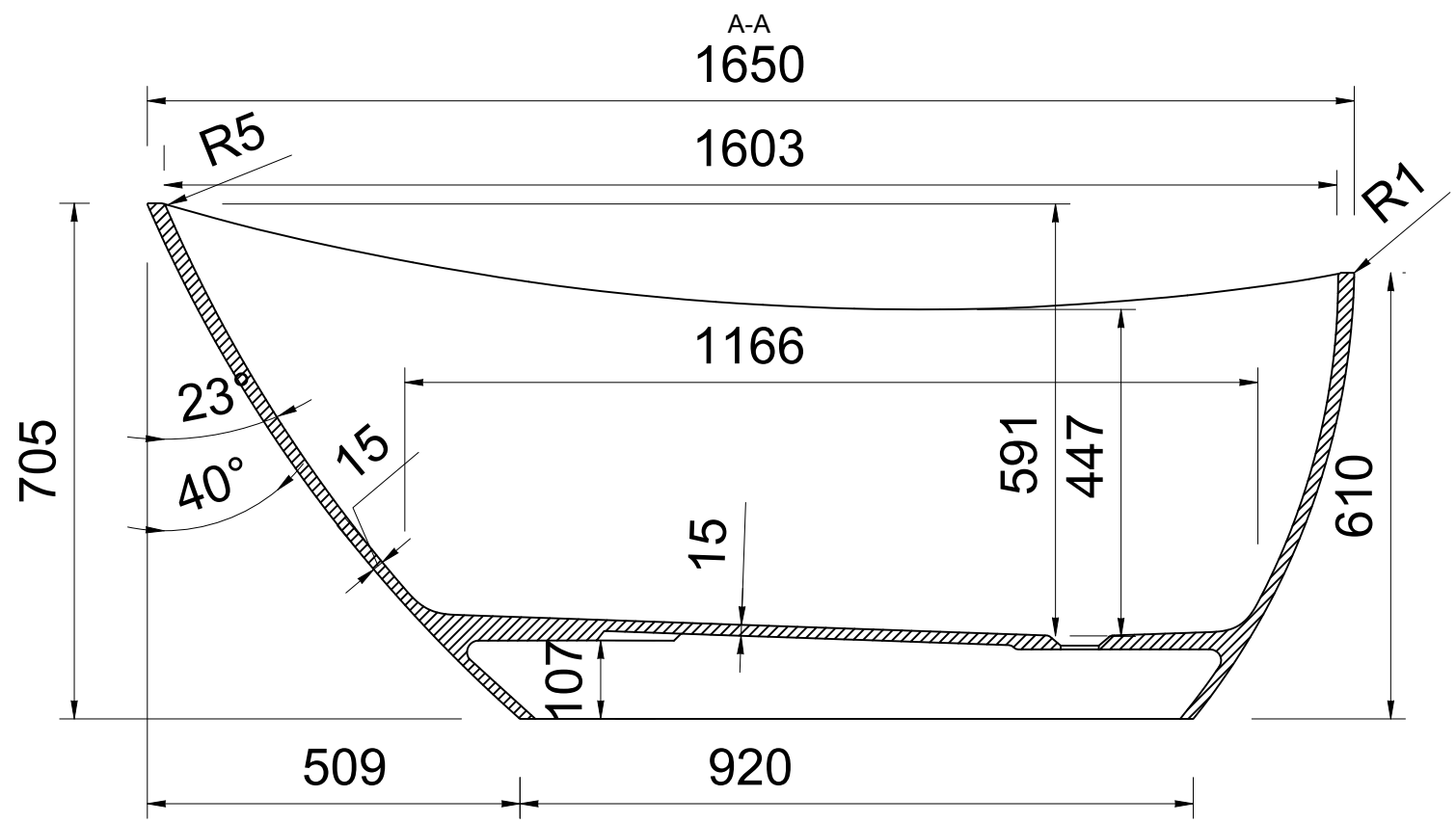


REV	DATE	DESCRIPTION	DRAWN	CHECKED
-	19/01/21	DRAWING CREATED	MF	MF



TOLERANCE LENGTH / WIDTH / HEIGHT	+10/ -10mm	CREATED	DRAWN BY	CHECKED BY	DRAWING TITLE	DRAWING No.	CURRENT REV.	VARIANT 1 - GLOSS FINISH	BAN-GW	SHEET	SHEET SIZE	SCALE	
TOL. PLANE BENDING	≤ 800mm	+1.5 / -1.5mm	19/01/21	MF	BANKSY BATH	BAN	-	BAN-MW	1/1	A3	1:10	1650 X 700 X 705	
	> 800mm	+3 / -3mm											
TOLERANCE HOLES LOCATION		+3 / -3mm							0	MAIN DIMENSIONS		BATH VOLUME FULL = 290L OVERFLOW= ***L	
TOLERANCE HOLES DIAMETER		+1 / -1mm											
TOLERANCE WALL THICKNESS		+1 / -1mm											
TOLERANCE FEET LOCATION		+5 / -5mm											
								<b>LUXURY BATH</b> COMPANY		NET WEIGHT 92.87kg		GROSS WEIGHT 120kg	