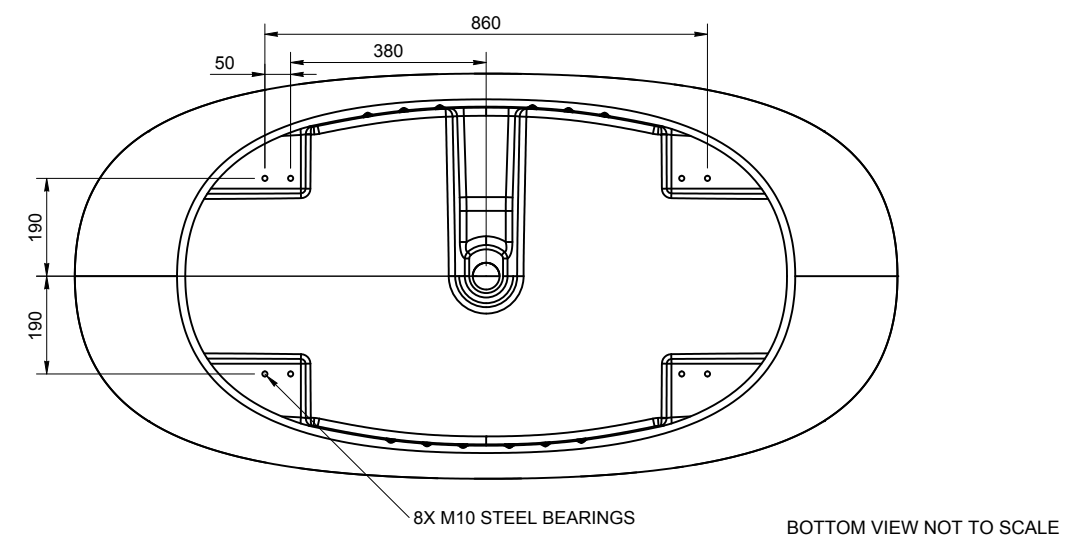
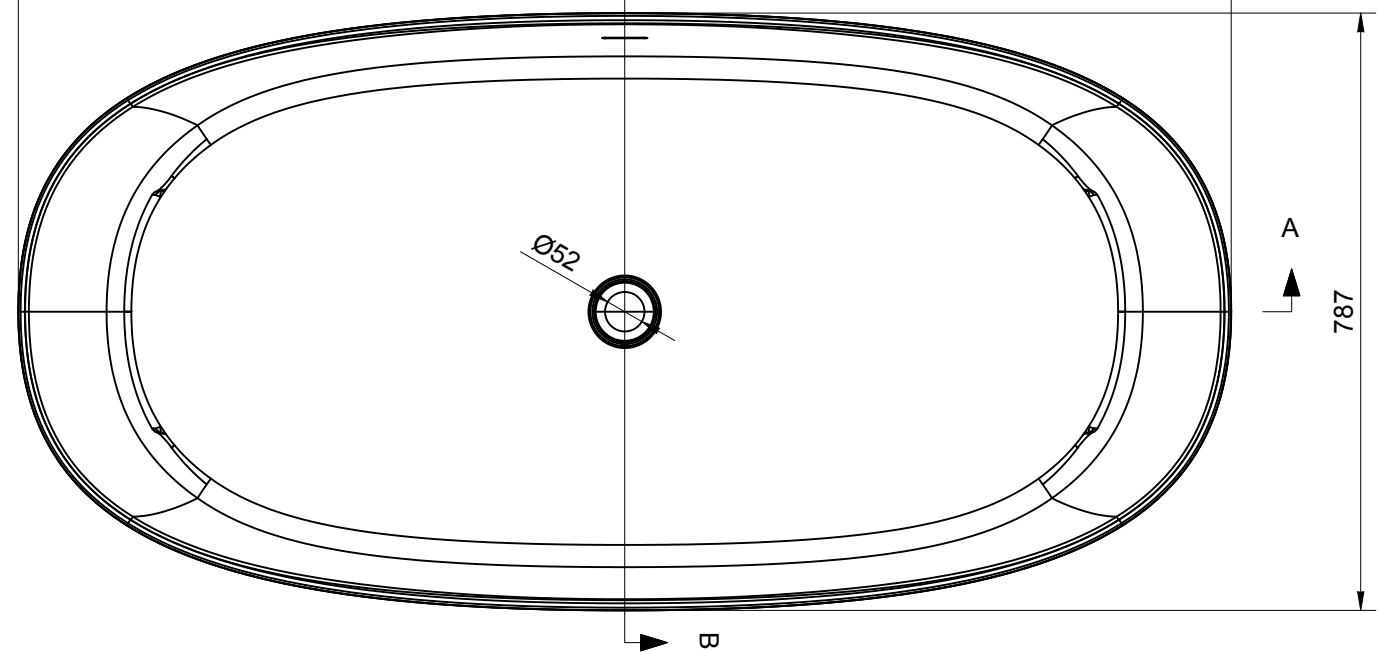
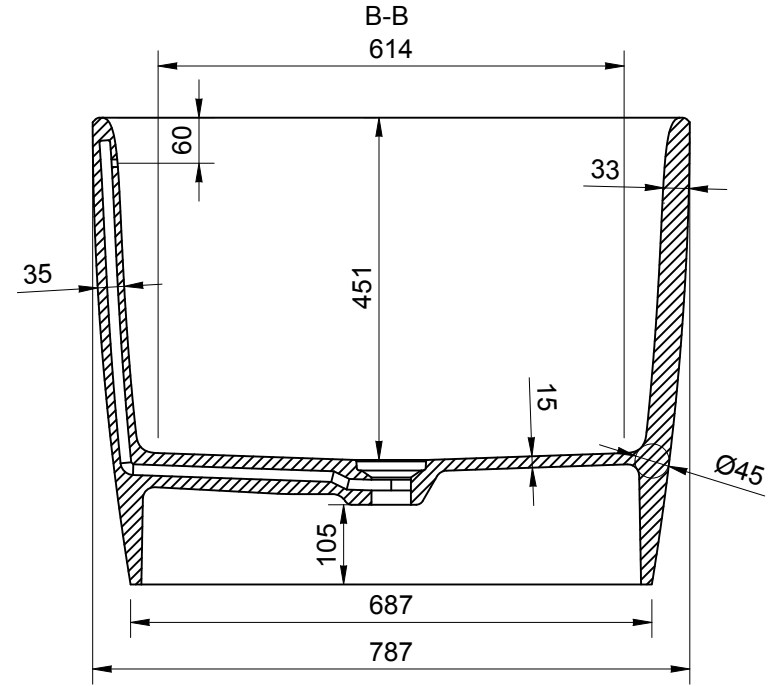
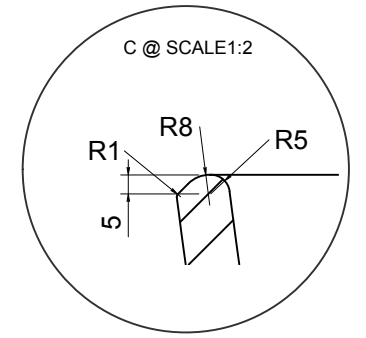
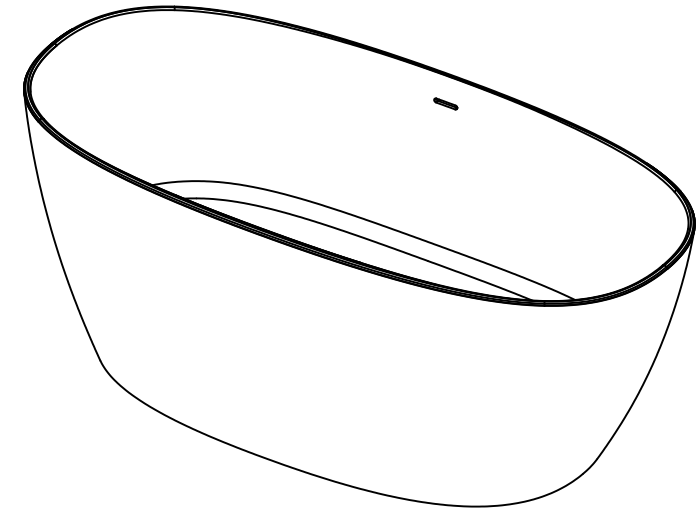
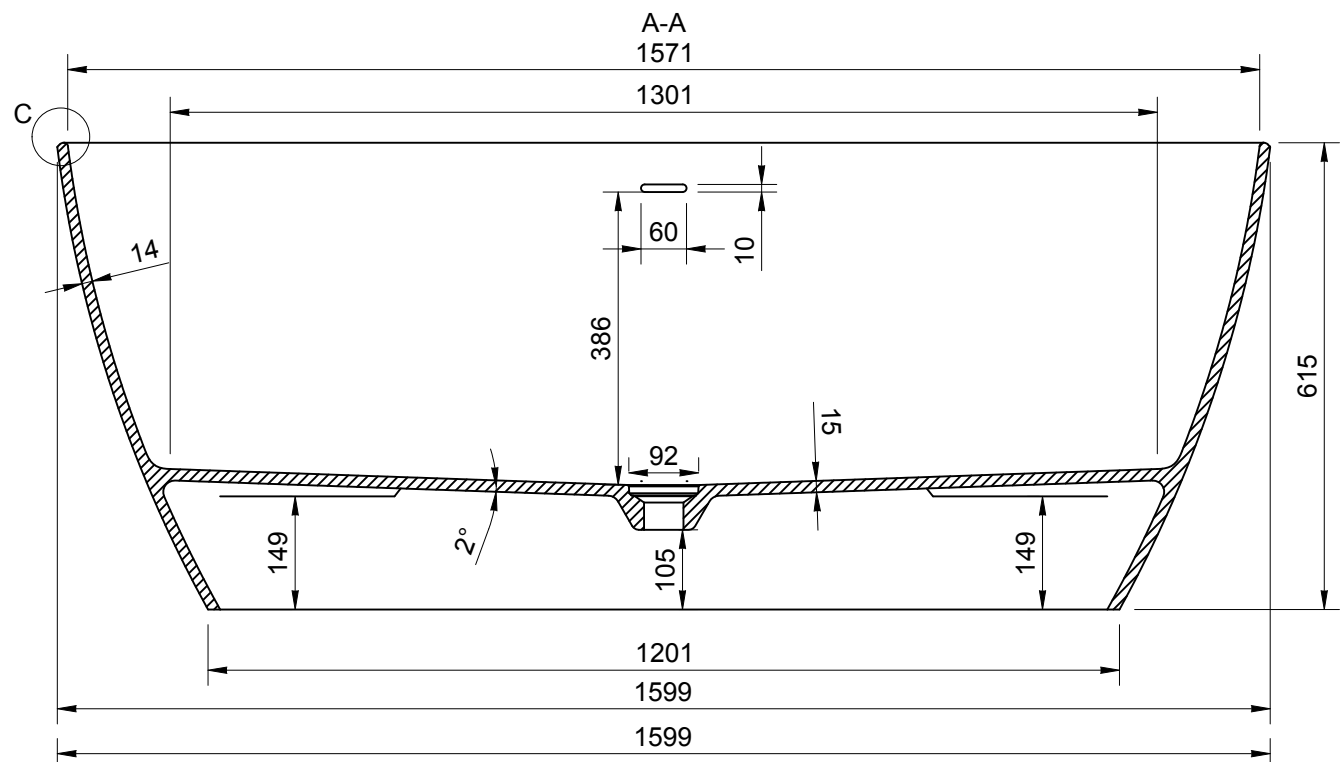


REV	DATE	DESCRIPTION	DRAWN	CHECKED
-	05/02/21	DRAWING CREATED	MF	MF



TOLERANCE LENGTH / WIDTH / HEIGHT	+10/ -10mm	CREATED	DRAWN BY	CHECKED BY	DRAWING TITLE	DRAWING No.	CURRENT REV.	VARIANT 1 - GLOSS FINISH	BLA-GW	SHEET	SHEET SIZE	SCALE	
TOL. PLANE BENDING	≤ 800mm > 800mm	+1.5 / -1.5mm	05/02/21	MF	MF	BLAKE BATH	BLA	-	BLA-MW	1/1	A3	1:10	
TOLERANCE HOLES LOCATION		+3 / -3mm											
TOLERANCE HOLES DIAMETER		+1 / -1mm											
TOLERANCE WALL THICKNESS		+1 / -1mm											
TOLERANCE FEET LOCATION		+5 / -5mm											
OVERFLOW	INTEG.												
NET WEIGHT	122kg												
WASTE COVER													
GROSS WEIGHT	150kg												
TAPHOLE	0												
MAIN DIMENSIONS	1599X 787 X 615												
BATH VOLUME	FULL = 395L OVERFLOW= 335L												



THE
LUXURY BATH
COMPANY