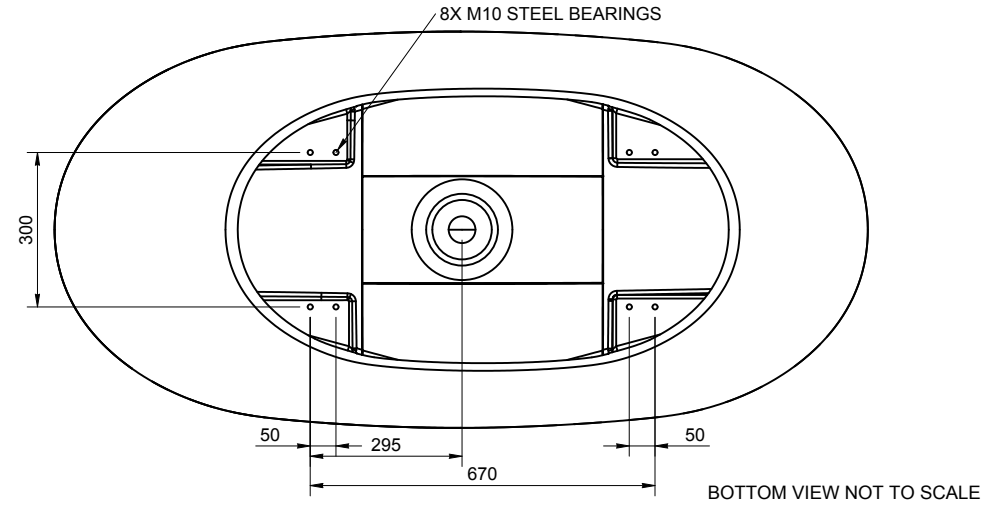
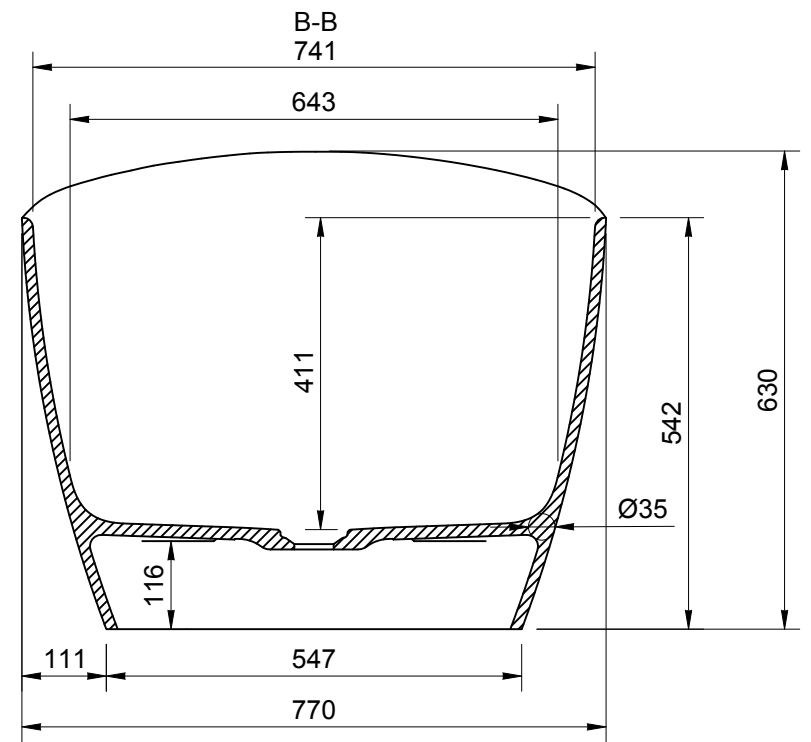
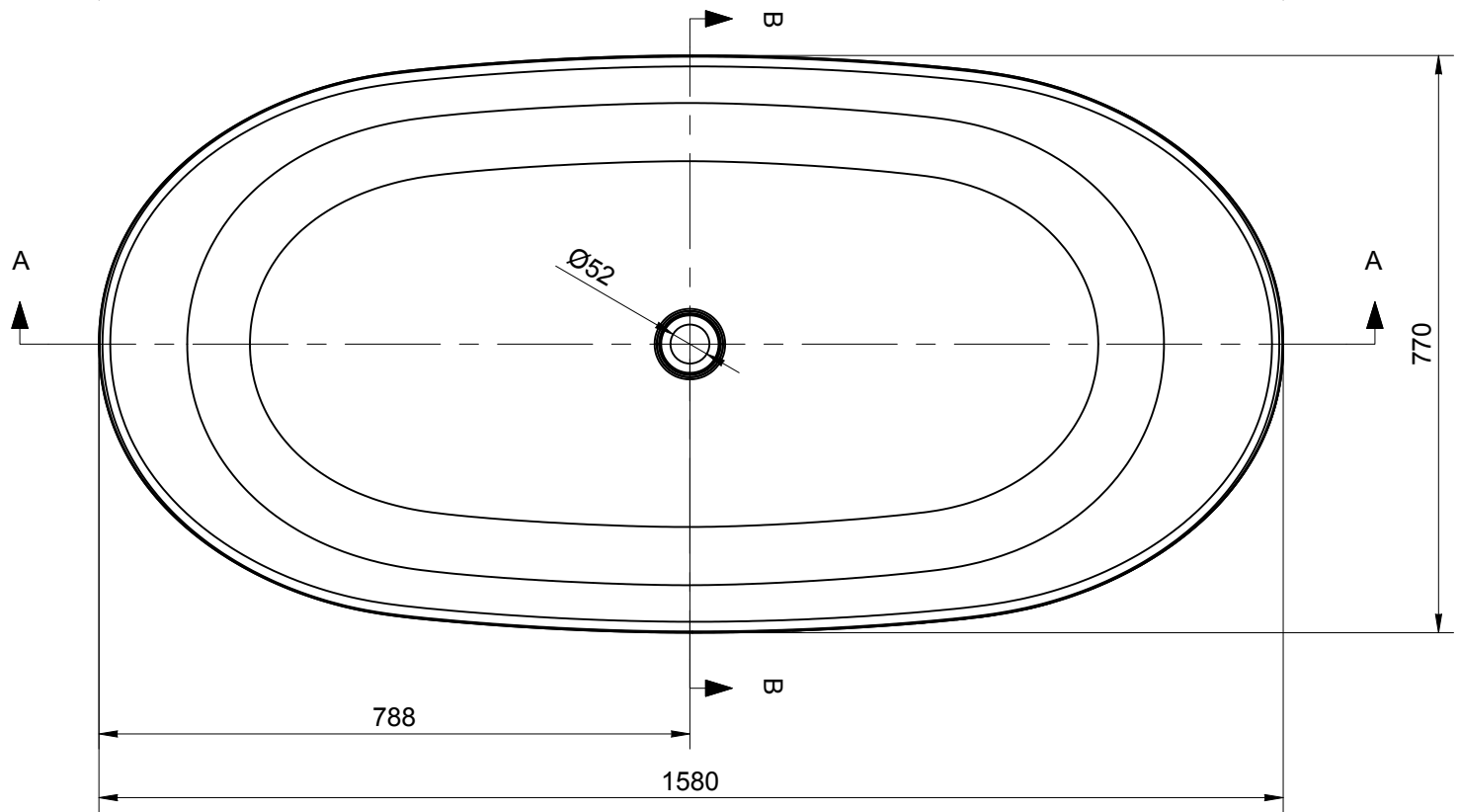
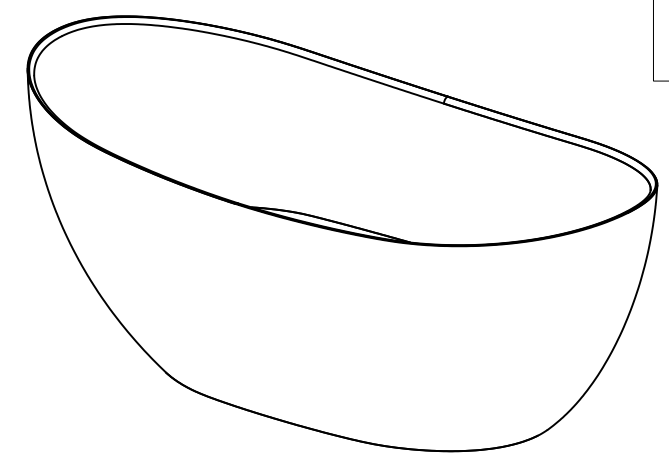
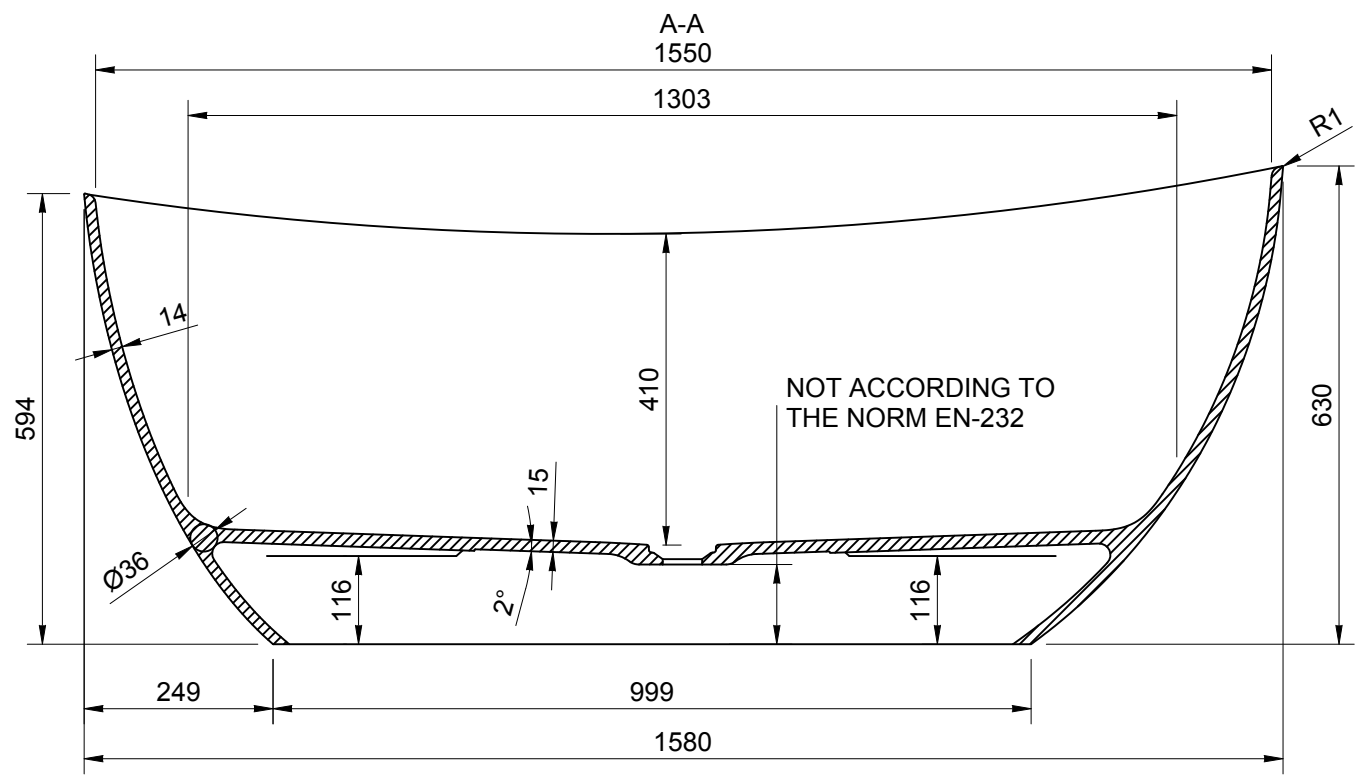
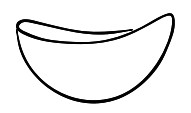


REV	DATE	DESCRIPTION	DRAWN	CHECKED
-	05/02/21	DRAWING CREATED	MF	MF



TOLERANCE LENGTH / WIDTH / HEIGHT	+10/ -10mm	CREATED	05/02/21	DRAWN BY	MF	CHECKED BY	MF	DRAWING TITLE	EMIN BATH	DRAWING No.	EMI	CURRENT REV.	-	VARIANT 1 - GLOSS FINISH	EMI-GW	SHEET	1/1	SHEET SIZE	A3	SCALE	1:10		
TOL. PLANE BENDING	≤ 800mm > 800mm	+1.5 / -1.5mm +3 / -3mm												VARIANT 1 - MATT FINISH	EMI-MW								
TOLERANCE HOLES LOCATION		+3 / -3mm												NO	REGULAR								
TOLERANCE HOLES DIAMETER		+1 / -1mm												NET WEIGHT	85.93kg	GROSS WEIGHT	115kg						
TOLERANCE WALL THICKNESS		+1 / -1mm																					
TOLERANCE FEET LOCATION		+5 / -5mm																					



THE
LUXURY BATH
COMPANY

BATH VOLUME
FULL = 333L
OVERFLOW= ***L