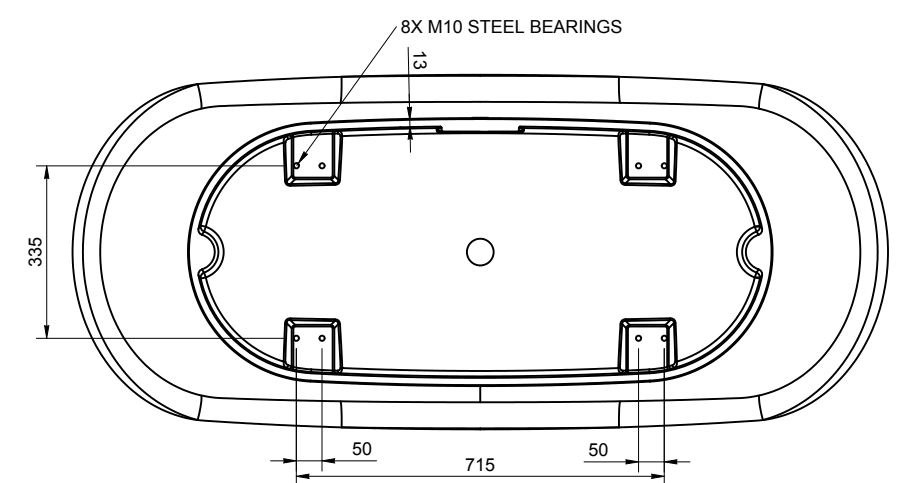
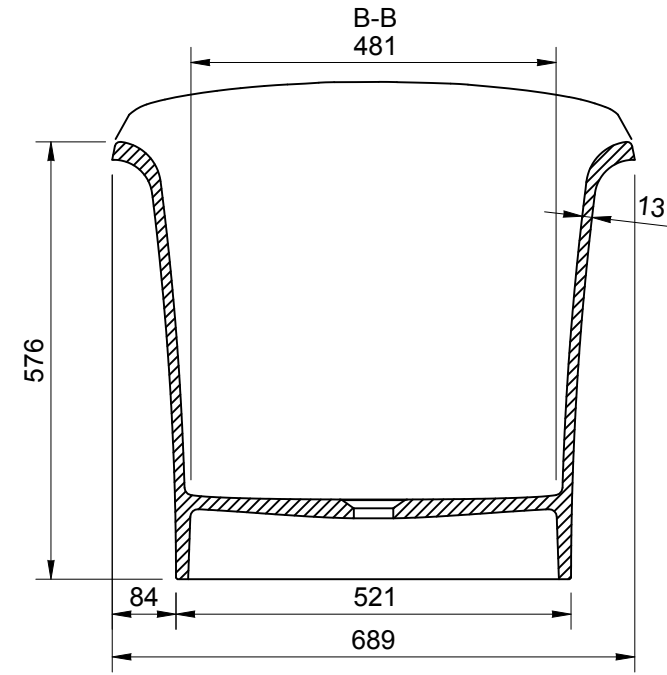
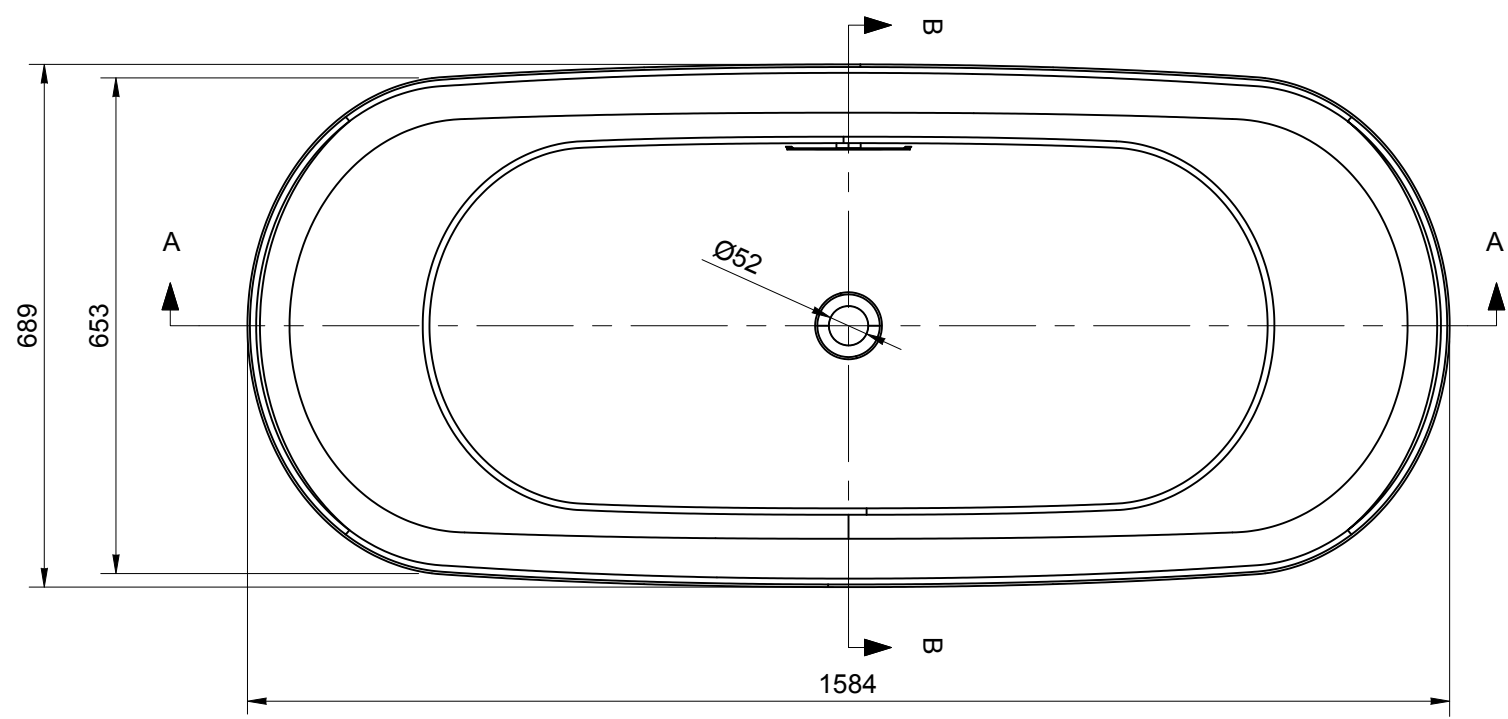
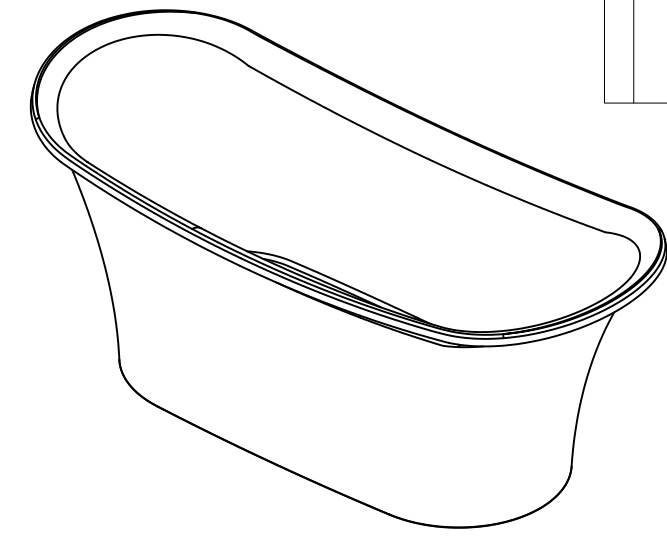
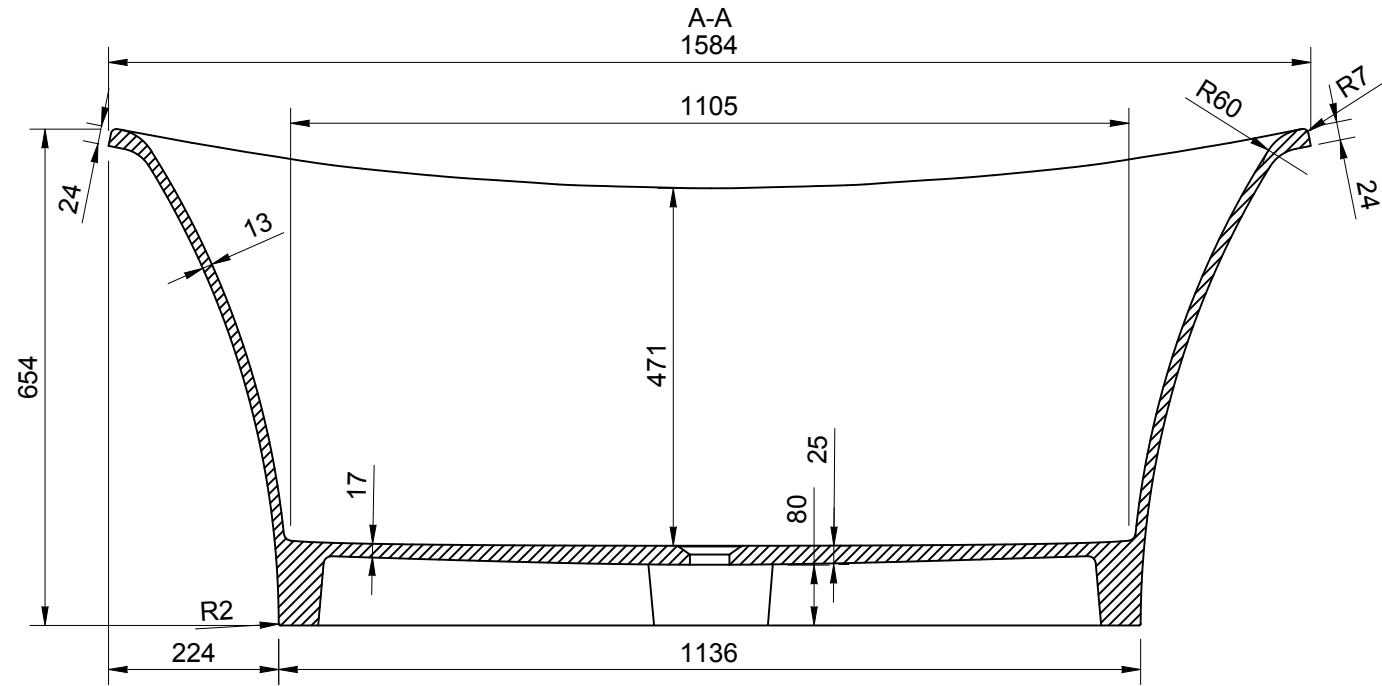


REV	DATE	DESCRIPTION	DRAWN	CHECKED
-	05/02/21	DRAWING CREATED	MF	MF



BOTTOM VIEW NOT TO SCALE

TOLERANCE LENGTH / WIDTH / HEIGHT	+10/ -10mm	CREATED	05/02/21	DRAWN BY	MF	CHECKED BY	MF	DRAWING TITLE	GOLDSMITH BATH	DRAWING No.	GOL	CURRENT REV.	-	VARIANT 1 - GLOSS FINISH	GOL-GW	1/1	SHEET SIZE	A3	SCALE	1:10	
TOL. PLANE BENDING	≤ 800mm > 800mm	+1.5 / -1.5mm +3 / -3mm												VARIANT 1 - MATT FINISH	GOL-MW	0	MAIN DIMENSIONS	1584 X 689 X 654			
TOLERANCE HOLES LOCATION		+3 / -3mm												OVERFLOW	NO	WASTE	REGULAR	BATH VOLUME			
TOLERANCE HOLES DIAMETER		+1 / -1mm												NET WEIGHT	76kg	GROSS WEIGHT	96kg	FULL = 280L OVERFLOW= ***L			
TOLERANCE WALL THICKNESS		+1 / -1mm																			
TOLERANCE FEET LOCATION		+5 / -5mm																			



THE LUXURY BATH COMPANY