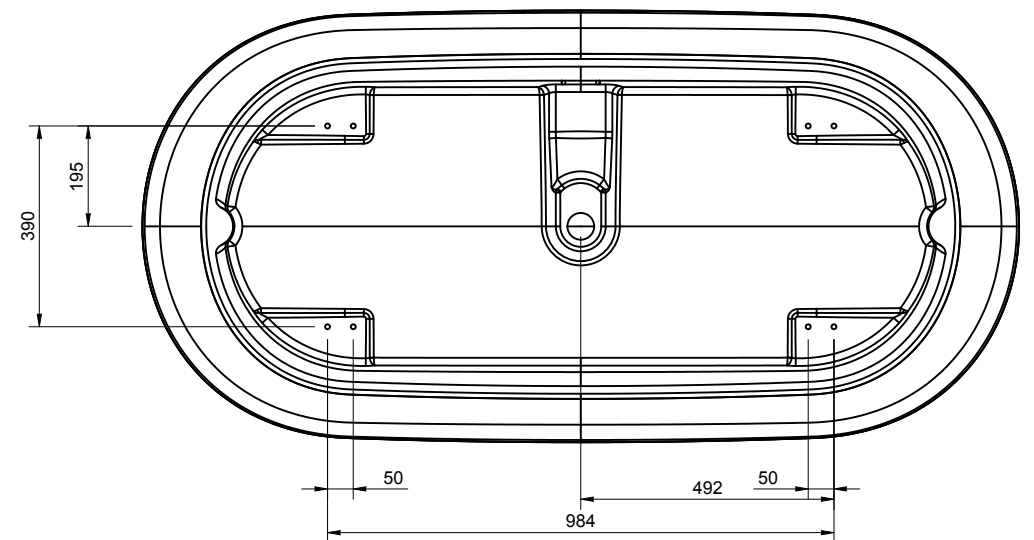
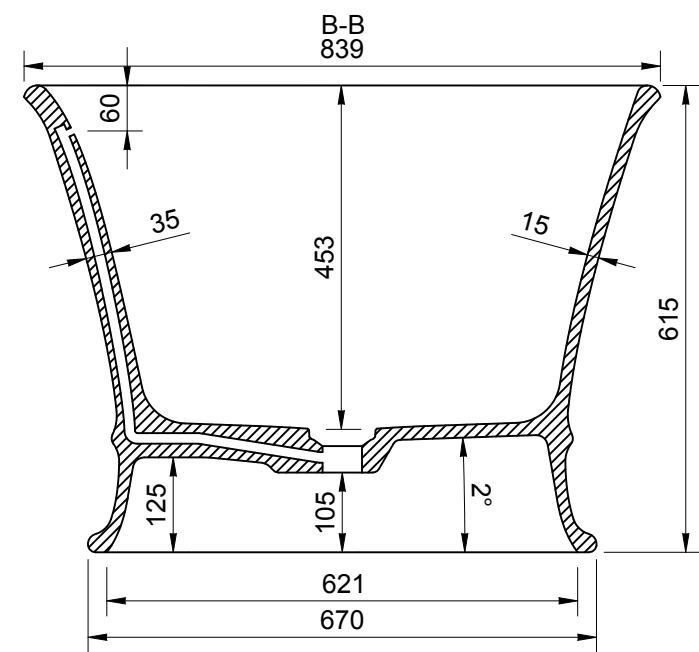
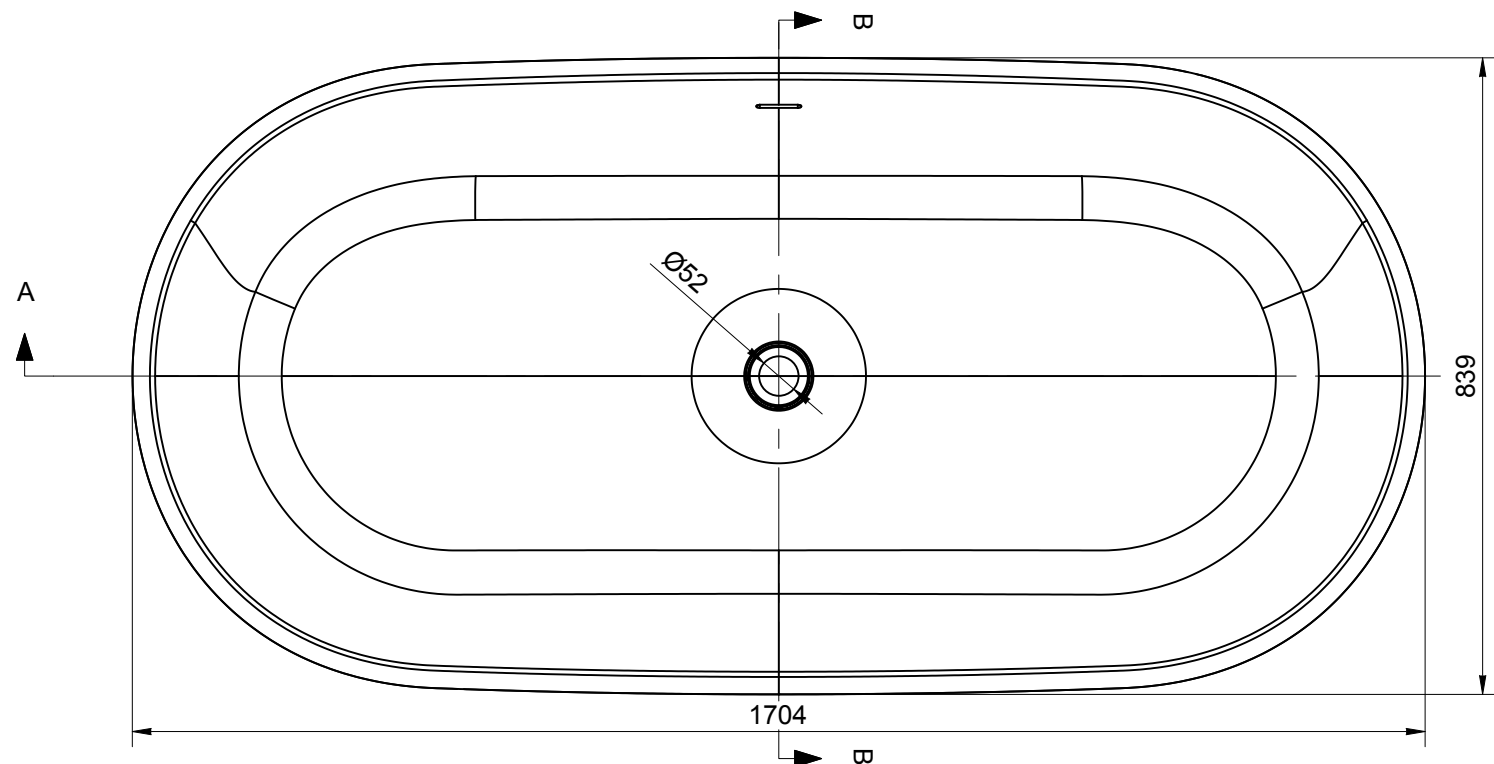
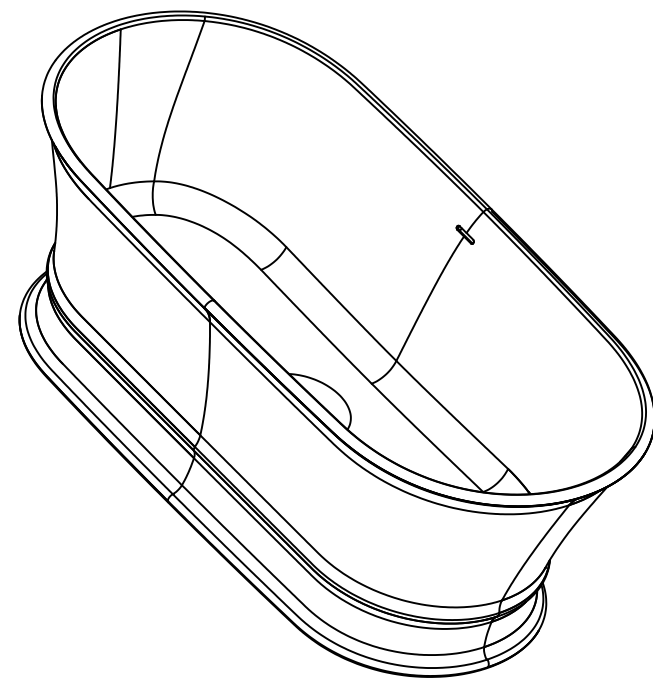
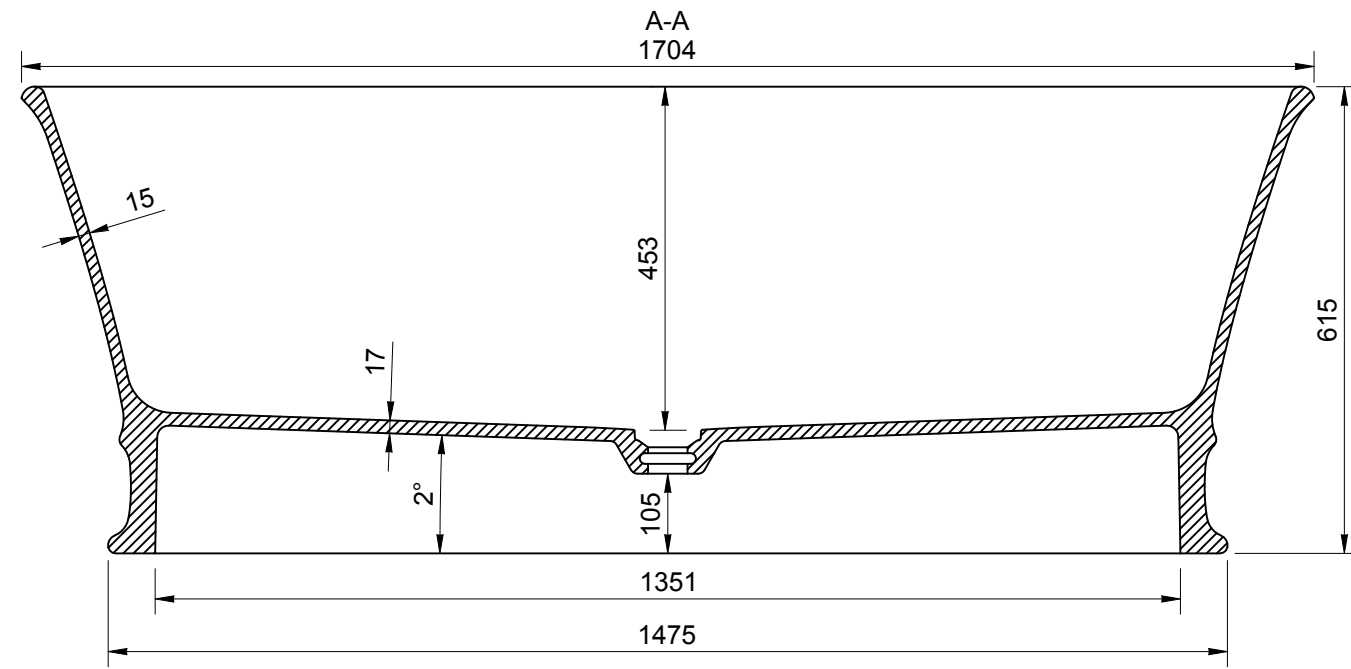


REV	DATE	DESCRIPTION	DRAWN	CHECKED
-	07/02/21	DRAWING CREATED	MF	MF



TOLERANCE LENGTH / WIDTH / HEIGHT		+10/ -10mm		CREATED	DRAWN BY	CHECKED BY	DRAWING TITLE	DRAWING No.	CURRENT REV.	VARIANT 1 - GLOSS FINISH	HEP-GW	SHEET	SHEET SIZE	SCALE	
TOL. PLANE BENDING	≤ 800mm	+1.5 / -1.5mm		07/02/21	MF	MF	HEPWORTH BATH	HEP	-	VARIANT 1 - MATT FINISH	HEP-MW	1/1	A3	1:10	
	> 800mm	+3 / -3mm										0	1704 X 839 X 615		
TOLERANCE HOLES LOCATION		+3 / -3mm								INTEG.	*	BATH VOLUME		FULL = 375L OVERFLOW= ***L	
TOLERANCE HOLES DIAMETER		+1 / -1mm										NET WEIGHT			
TOLERANCE WALL THICKNESS		+1 / -1mm										GROSS WEIGHT			
TOLERANCE FEET LOCATION		+5 / -5mm										132.9kg			165kg



THE
LUXURY BATH
COMPANY