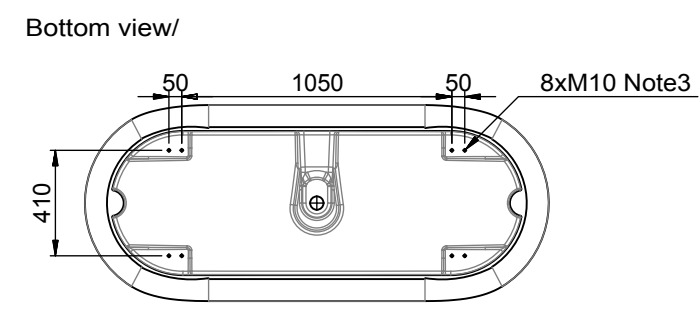
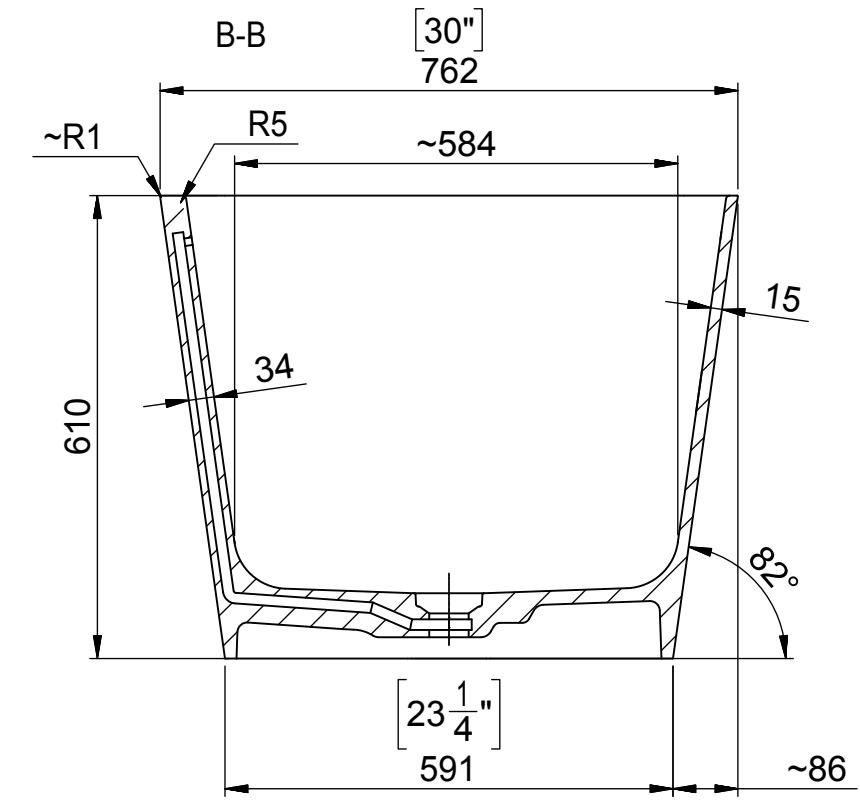
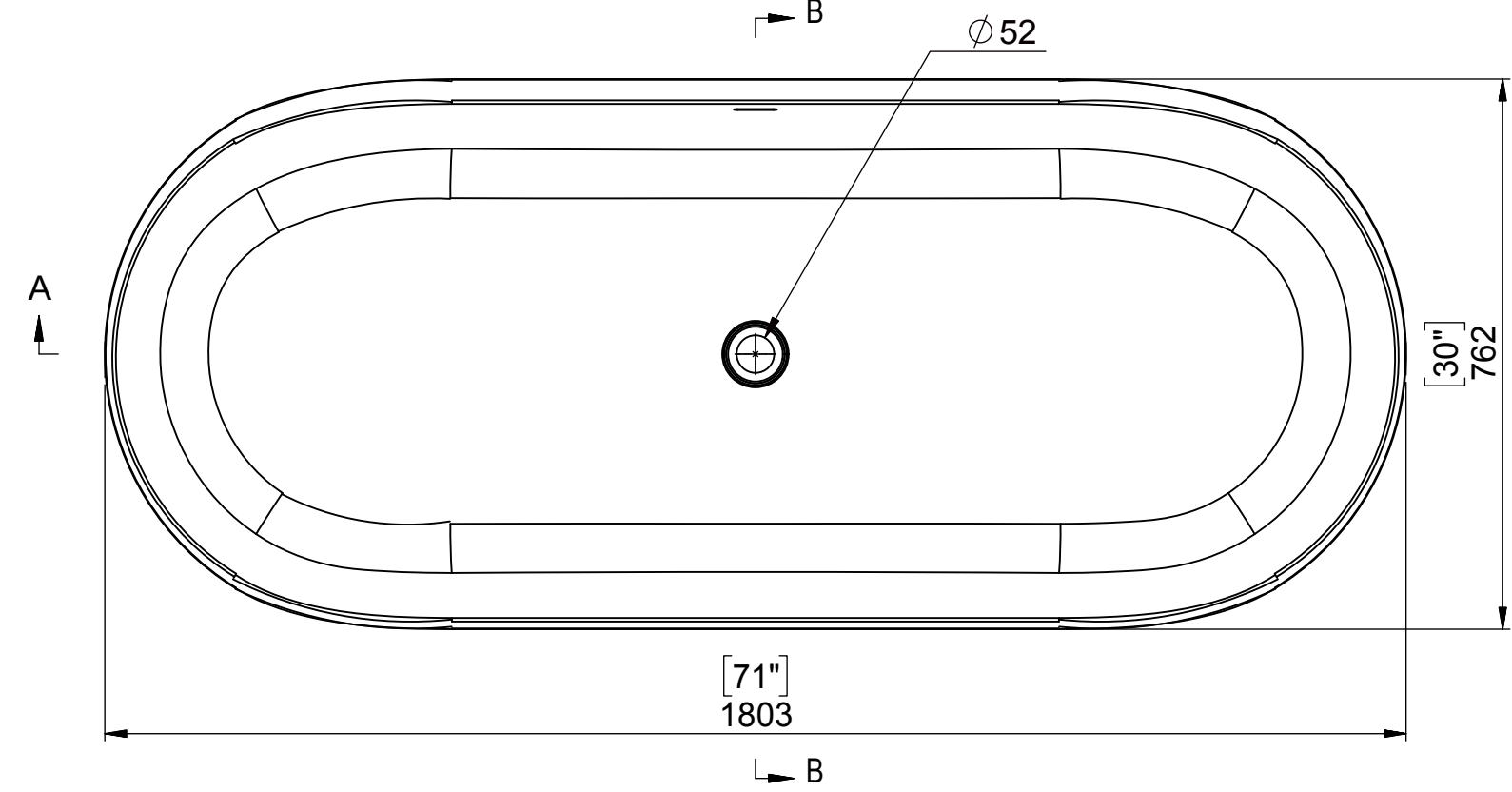
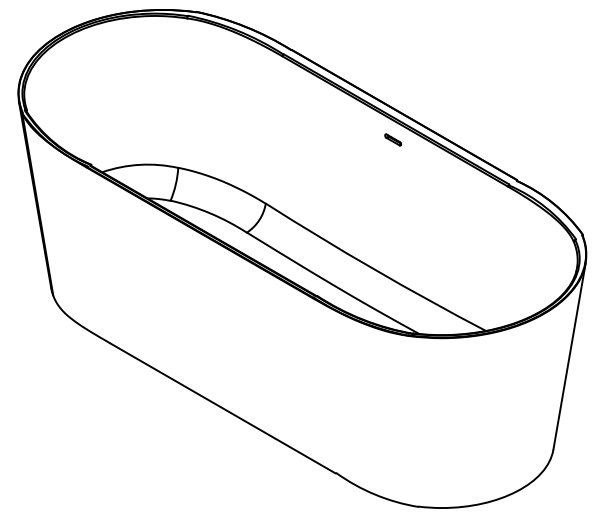
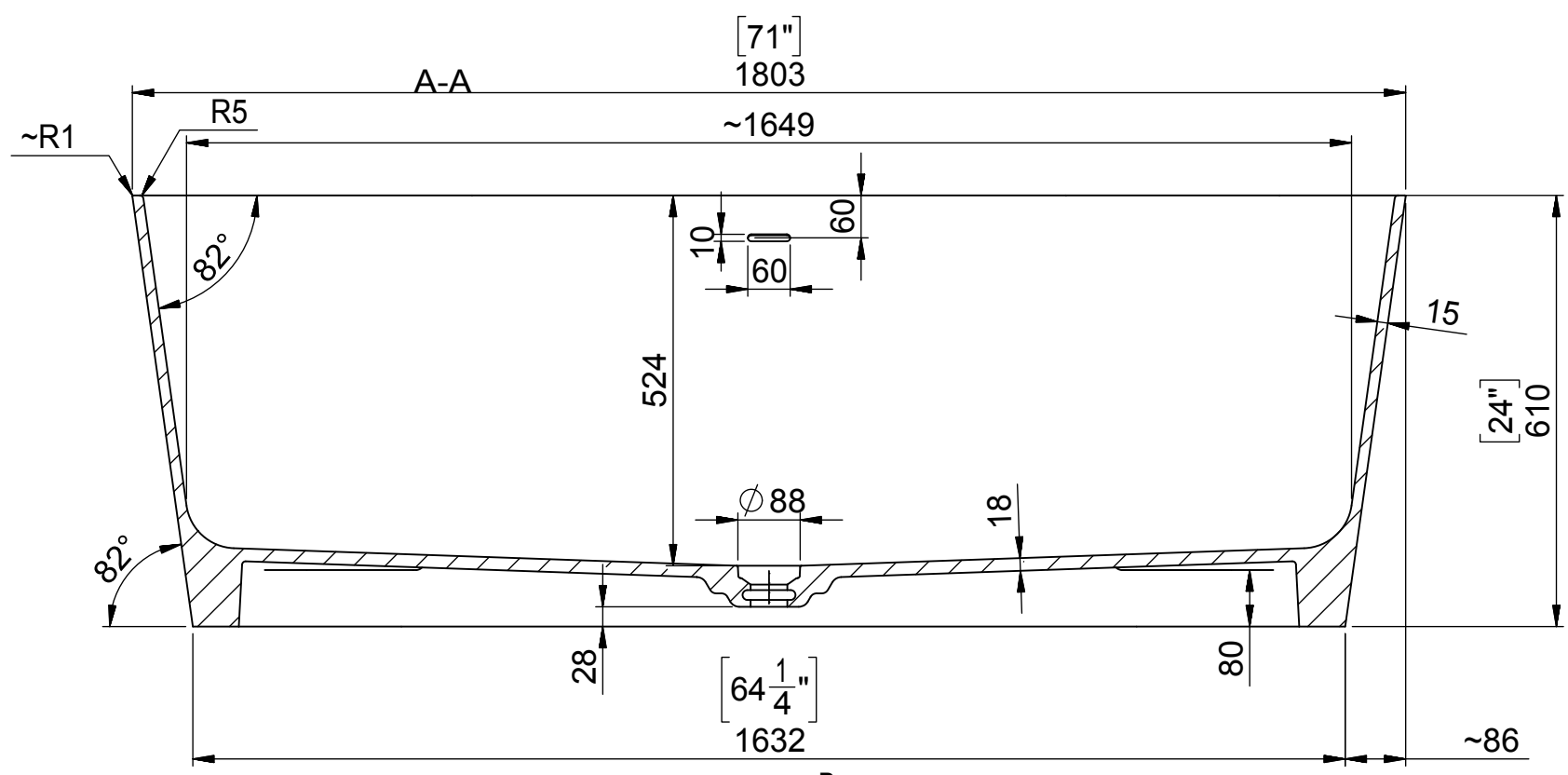


REV	DATE	DESCRIPTION	DRAWN	CHECKED
-	05/02/21	DRAWING CREATED	MF	MF
A	07/12/24	DRAWING UPDATED TO NEW BATH FORM	MF	MF
B	09/06/25	DRAWING UPDATED TO NEW BATH FORM	MF	MF



BOTTOM VIEW NOT TO SCALE

TOLERANCE LENGTH / WIDTH / HEIGHT	+10/ -10mm	CREATED	DRAWN BY	CHECKED BY	DRAWING TITLE	DRAWING No.	CURRENT REV.	VARIANT 1 - GLOSS FINISH	HIN-GW	SHEET	SHEET SIZE	SCALE		
TOL. PLANE BENDING	≤ 800mm	+1.5/ -1.5mm	05/02/21	MF	MF	HINDLE BATH	HIN	B	HIN-MW	1/1	A3	1:10		
	> 800mm	+3 / -3mm												
TOLERANCE HOLES LOCATION		+3 / -3mm												
TOLERANCE HOLES DIAMETER		+1 / -1mm												
TOLERANCE WALL THICKNESS		+1 / -1mm												
TOLERANCE FEET LOCATION		+5 / -5mm												
OVERFLOW	INT													
NET WEIGHT	*kg													
GROSS WEIGHT	*kg													
											BATH VOLUME		FULL = 500L OVERFLOW= 432L	



THE LUXURY BATH COMPANY