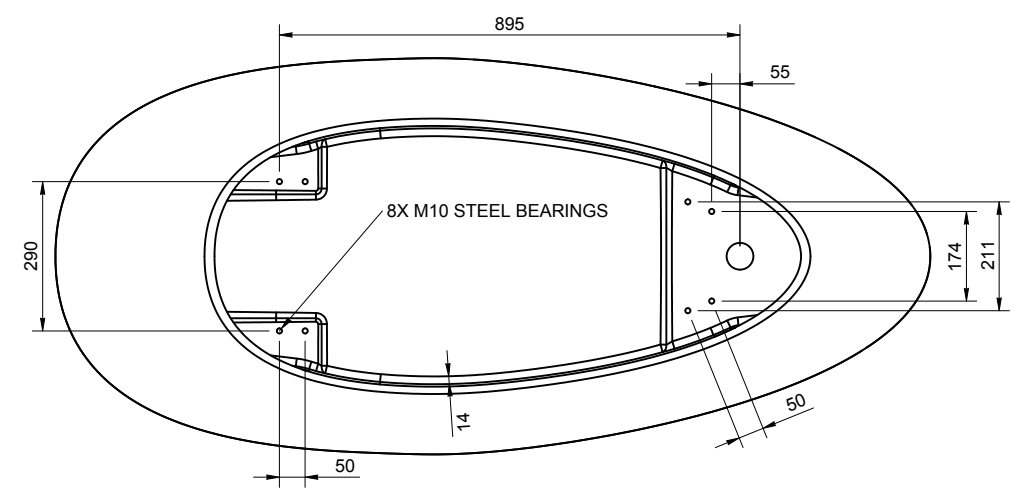
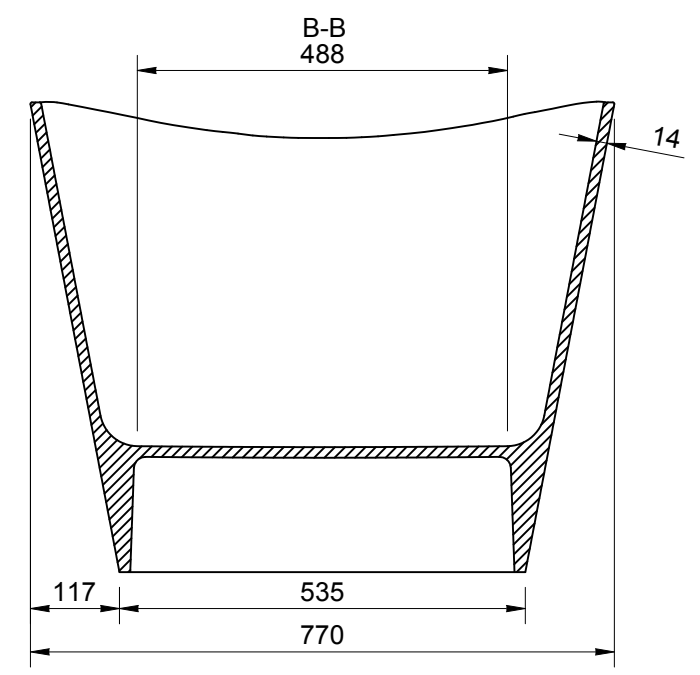
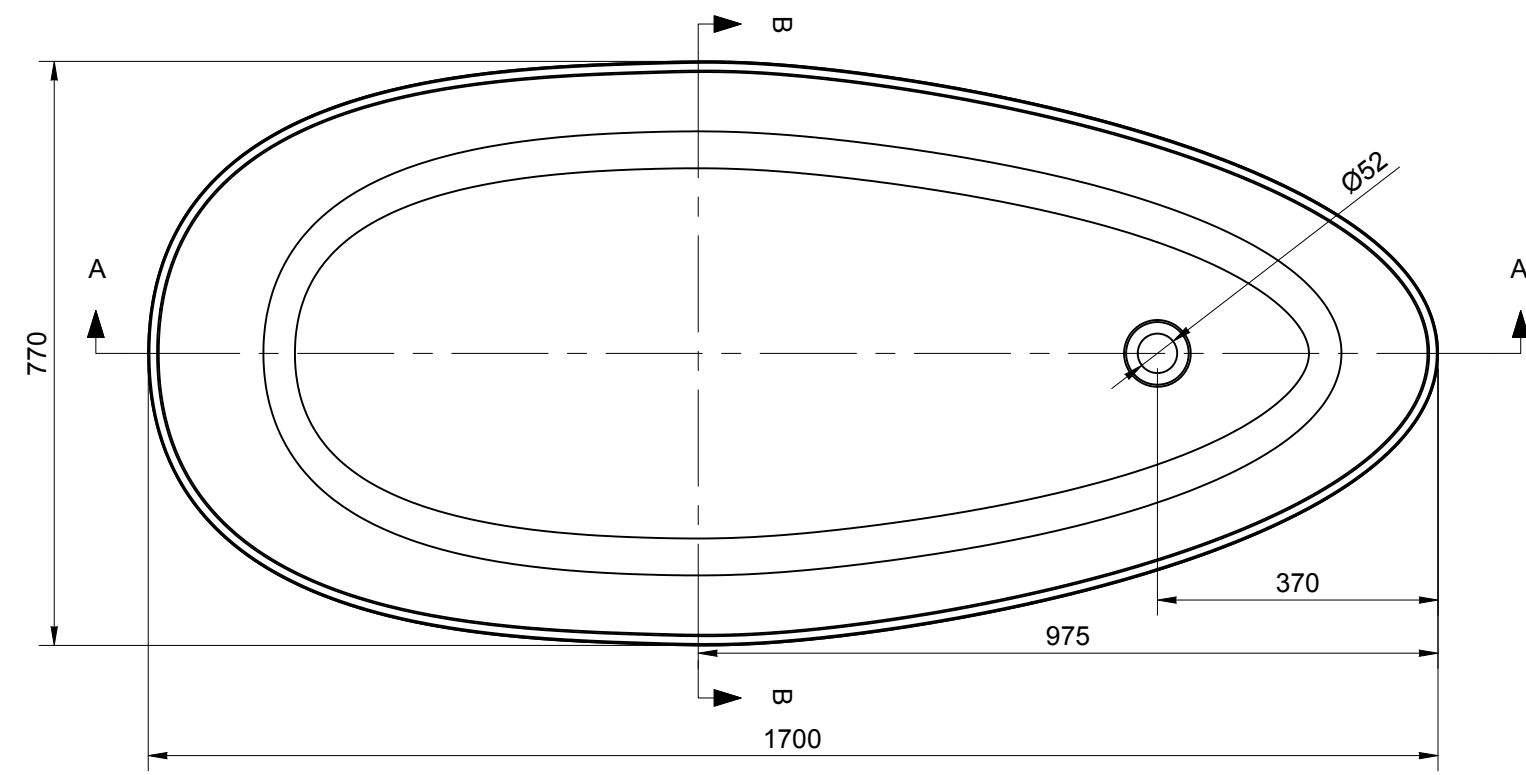
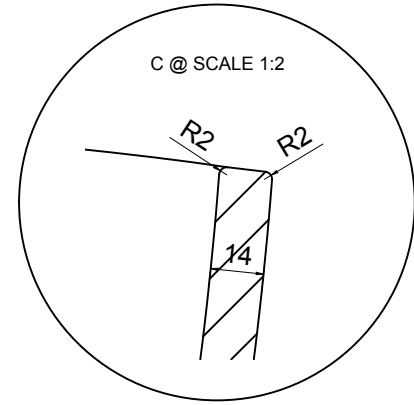
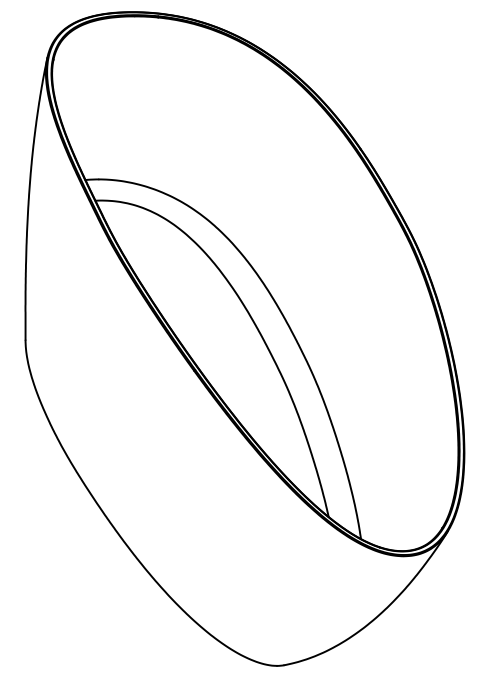
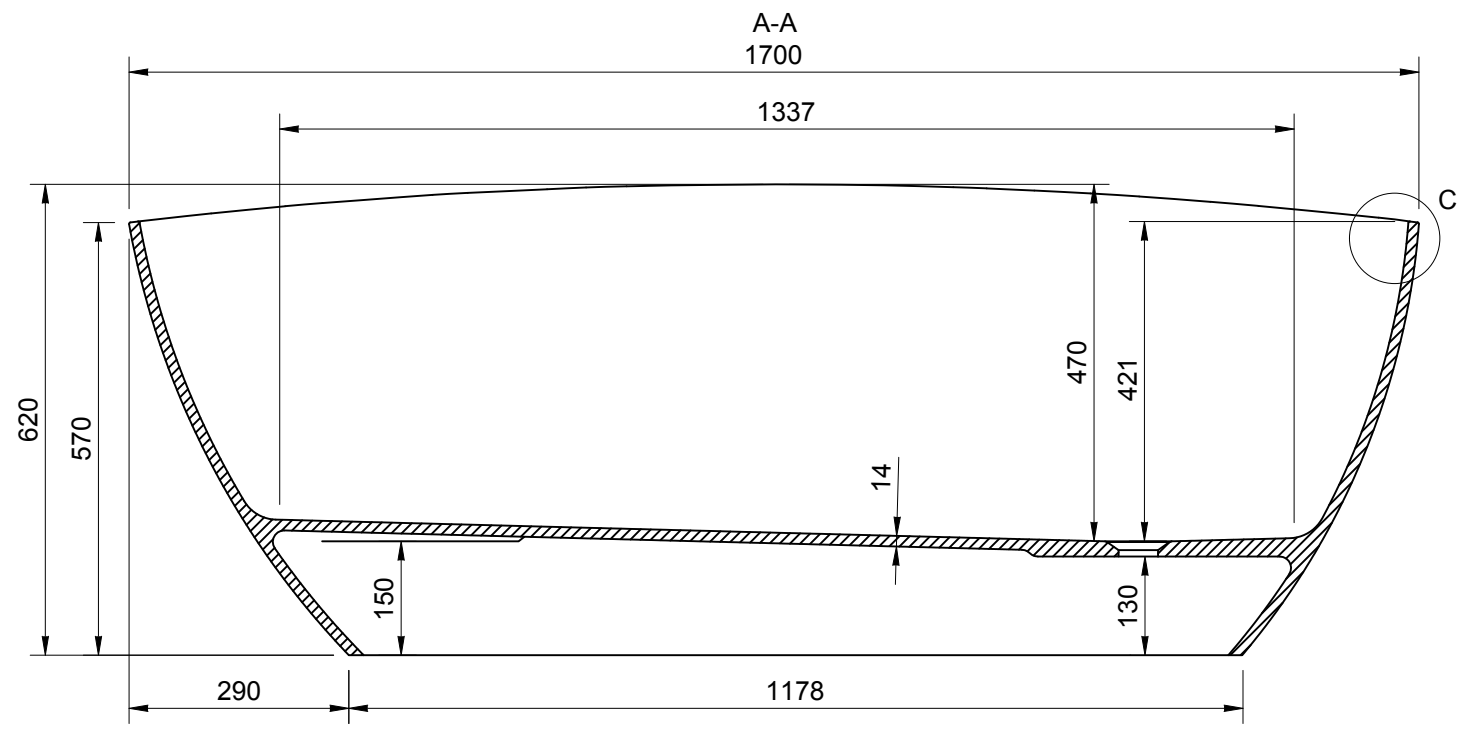


REV	DATE	DESCRIPTION	DRAWN	CHECKED
-	05/02/21	DRAWING CREATED	MF	MF



TOLERANCE LENGTH / WIDTH / HEIGHT		+10/ -10mm		CREATED	05/02/21	DRAWN BY	MF	CHECKED BY	MF	DRAWING TITLE	HIRST 1700 XL BATH	DRAWING NO.	HIR-17	CURRENT REV.	-	VARIANT 1 - GLOSS FINISH	HIR-17-GW	SHEET	1/1	SHEET SIZE	A3	SCALE	1:10					
TOL. PLANE BENDING		≤ 800mm	+1.5 / -1.5mm																									
		> 800mm	+3 / -3mm																									
TOLERANCE HOLES LOCATION		+3 / -3mm																										
TOLERANCE HOLES DIAMETER		+1 / -1mm																										
TOLERANCE WALL THICKNESS		+1 / -1mm																										
TOLERANCE FEET LOCATION		+5 / -5mm																										
																	OVERFLOW	NO	WASTE	REGULAR	TAPHOLE	0	MAIN DIMENSIONS	1700 X 770 X 620		BATH VOLUME FULL = 330L OVERFLOW= ***L		
																	NET WEIGHT	92kg	GROSS WEIGHT	115kg								



THE
LUXURY BATH
COMPANY