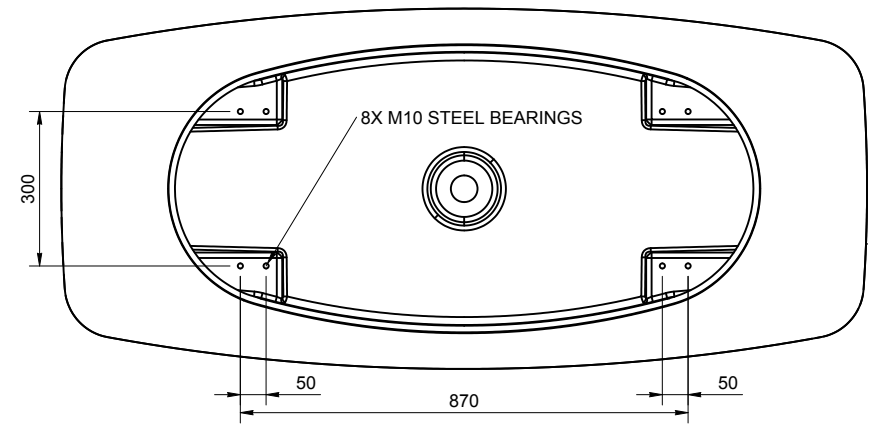
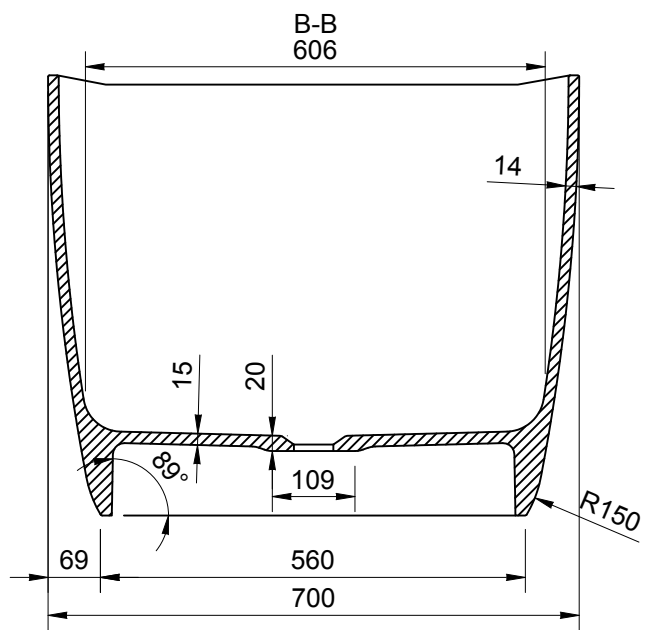
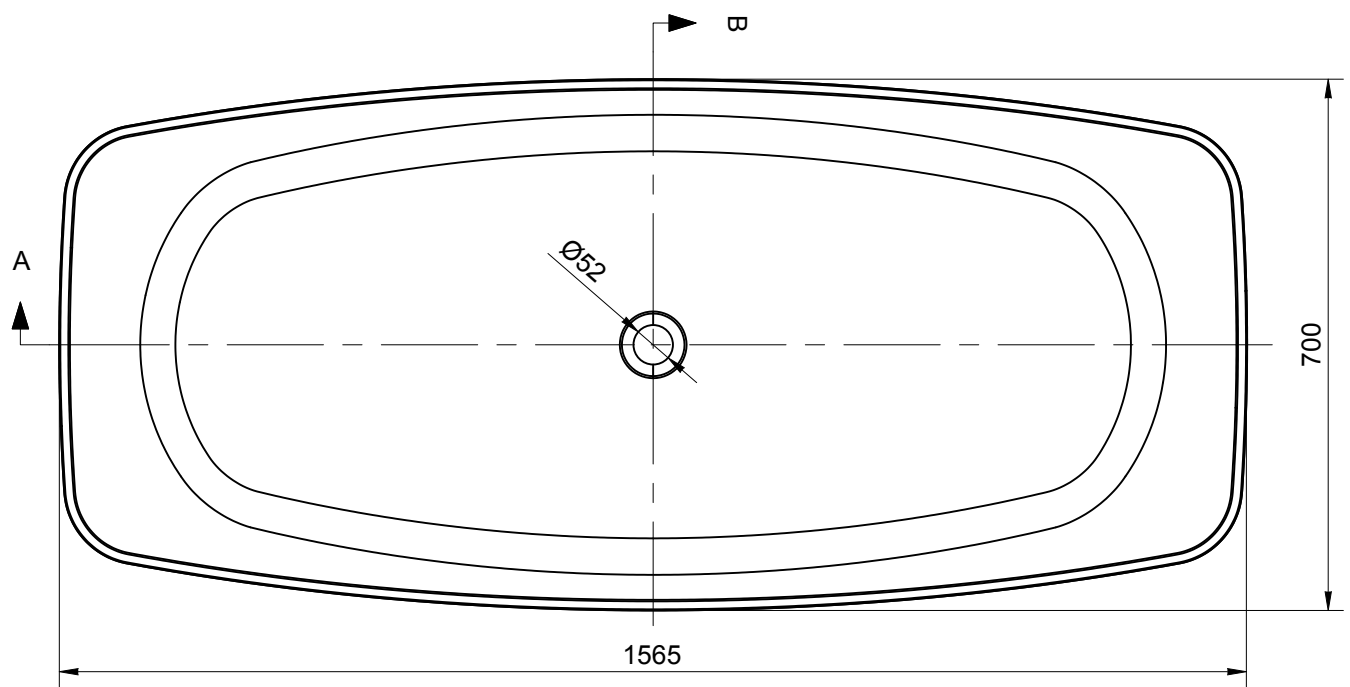
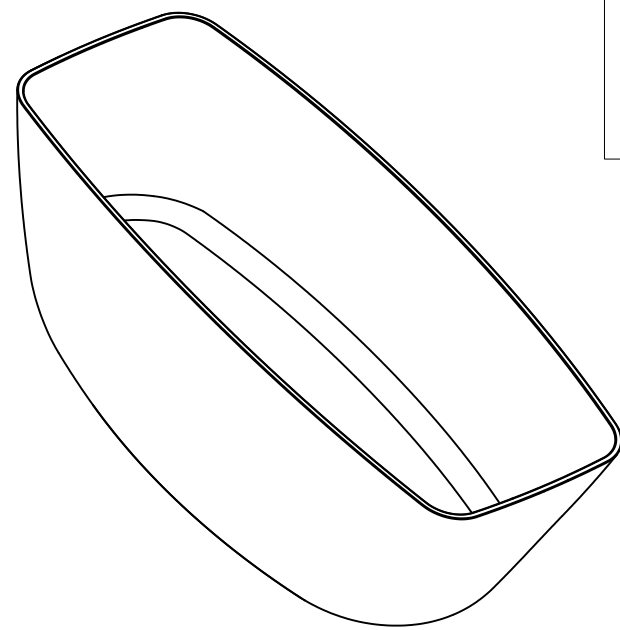
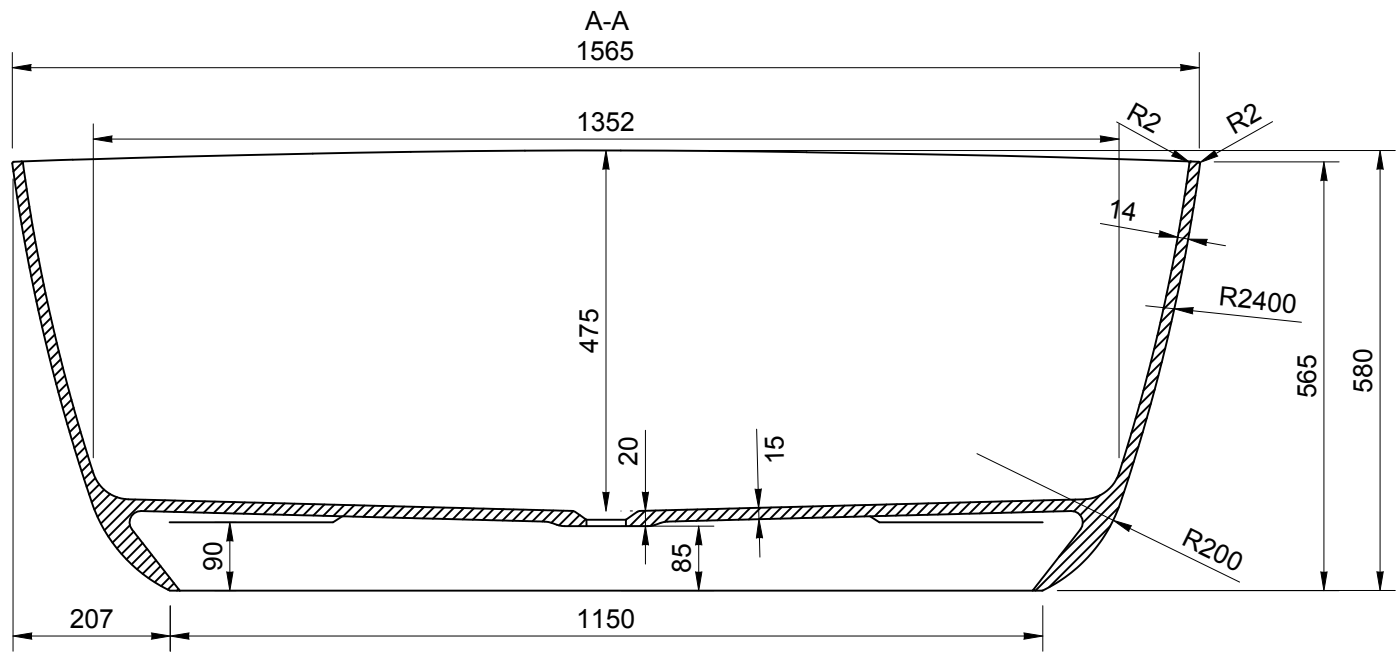


REV	DATE	DESCRIPTION	DRAWN	CHECKED
-	05/02/21	DRAWING CREATED	MF	MF



BOTTOM VIEW NOT TO SCALE

TOLERANCE LENGTH / WIDTH / HEIGHT	+10/ -10mm	CREATED	DRAWN BY	CHECKED BY	DRAWING TITLE	DRAWING No.	CURRENT REV.	VARIANT 1 - GLOSS FINISH	JOP-GW	SHEET	SHEET SIZE	SCALE	
TOL. PLANE BENDING	≤ 800mm	+1.5 / -1.5mm	05/02/21	MF	MF	JOPLING BATH	JOP	-	JOP-MW	1/1	A3	1:10	
	> 800mm	+3 / -3mm											
TOLERANCE HOLES LOCATION		+3 / -3mm											
TOLERANCE HOLES DIAMETER		+1 / -1mm											
TOLERANCE WALL THICKNESS		+1 / -1mm											
TOLERANCE FEET LOCATION		+5 / -5mm											
									NET WEIGHT	GROSS WEIGHT	BATH VOLUME		
									89.95kg	116kg	FULL = 370L OVERFLOW= ***L		