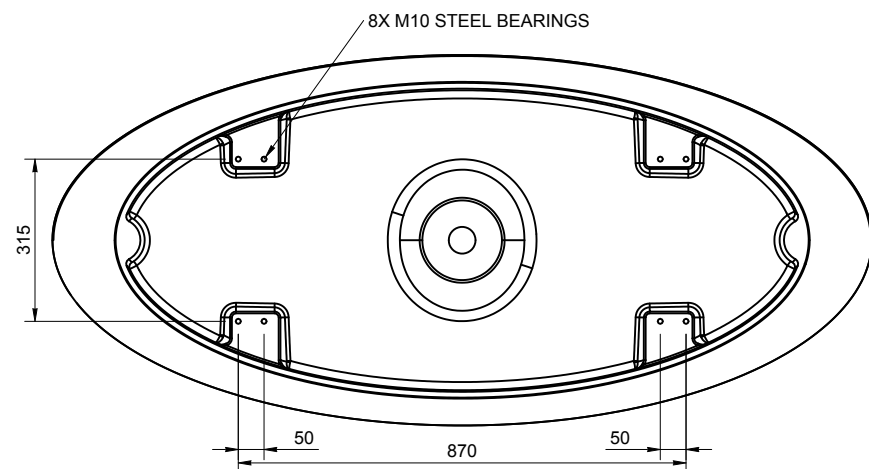
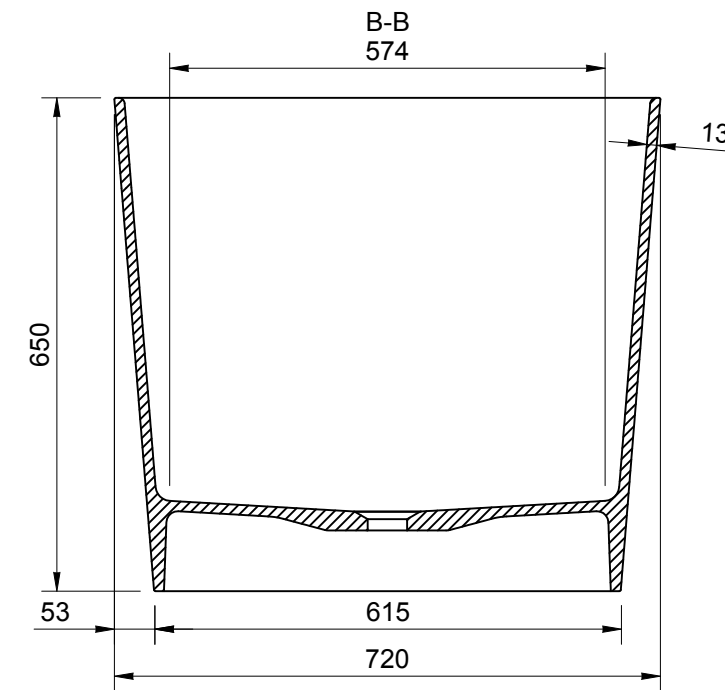
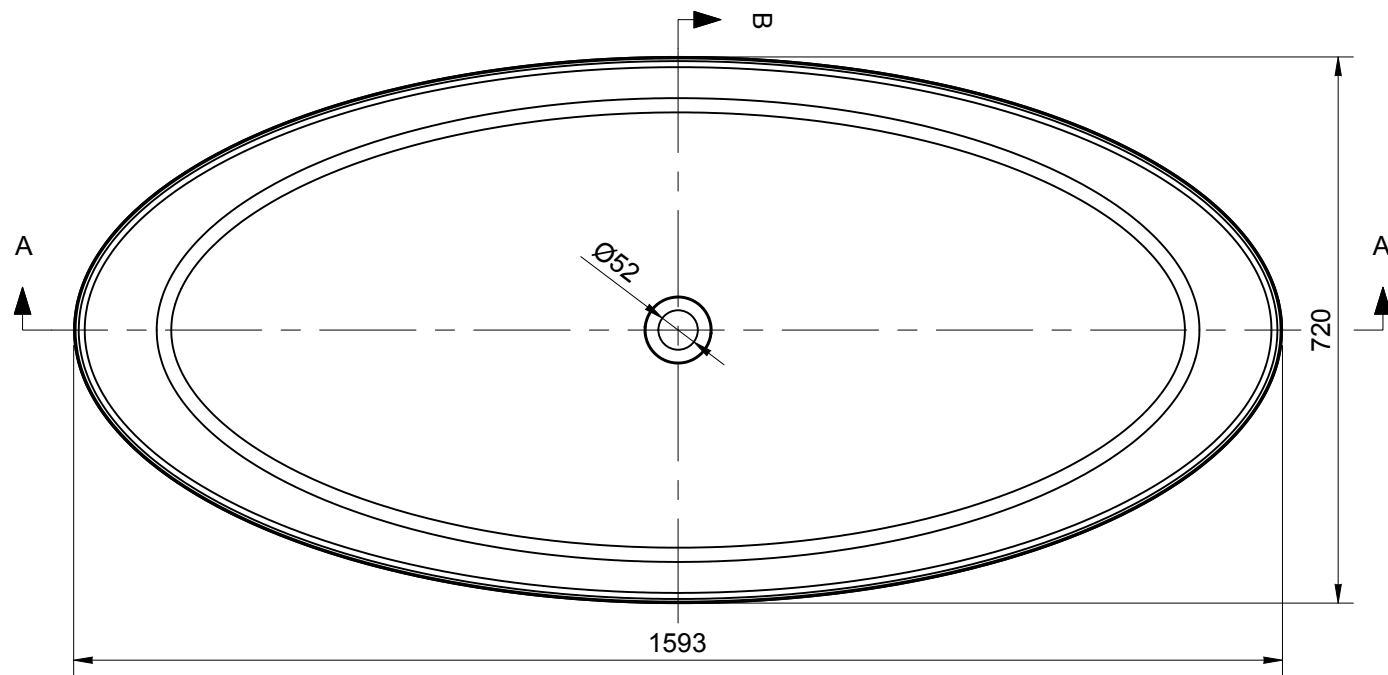
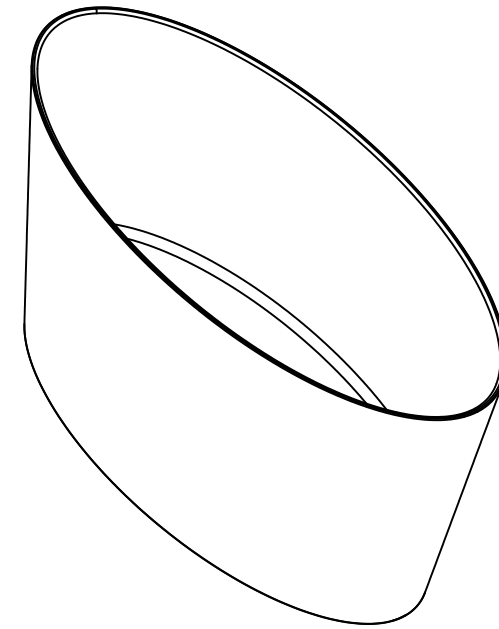
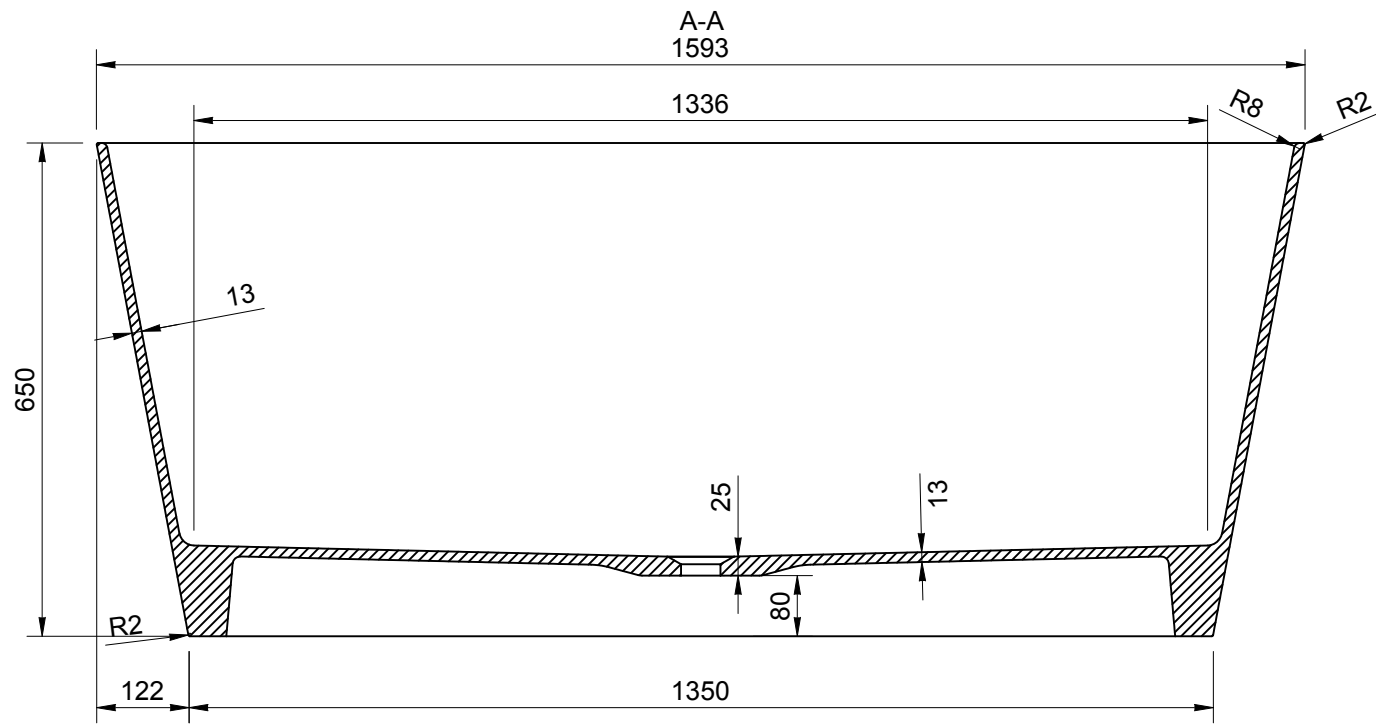


REV	DATE	DESCRIPTION	DRAWN	CHECKED
-	06/02/21	DRAWING CREATED	MF	MF



BOTTOM VIEW NOT TO SCALE

TOLERANCE LENGTH / WIDTH / HEIGHT	+10/ -10mm	CREATED	06/02/21	DRAWN BY	MF	CHECKED BY	MF	DRAWING TITLE	TEMPER BATH	DRAWING No.	TEM	CURRENT REV.	-	VARIANT 1 - GLOSS FINISH	TEM-GW	SHEET	1/1	SHEET SIZE	A3	SCALE	1:10	
TOL. PLANE BENDING	≤ 800mm > 800mm	+1.5 / -1.5mm +3 / -3mm												VARIANT 1 - MATT FINISH	TEM-MW	WASTE	0	TAPHOLE	0	MAIN DIMENSIONS	1593 X 720 X 650	
TOLERANCE HOLES LOCATION		+3 / -3mm												NO	REGULAR						BATH VOLUME	FULL = ***L OVERFLOW= ***L
TOLERANCE HOLES DIAMETER		+1 / -1mm												NET WEIGHT	84.5kg	GROSS WEIGHT	105kg					
TOLERANCE WALL THICKNESS		+1 / -1mm																				
TOLERANCE FEET LOCATION		+5 / -5mm																				



THE  
**LUXURY BATH**  
COMPANY