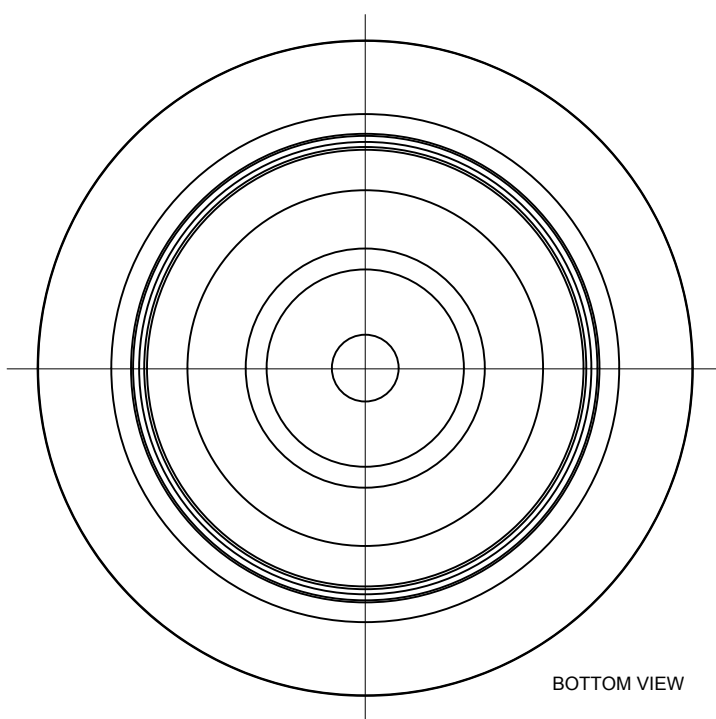
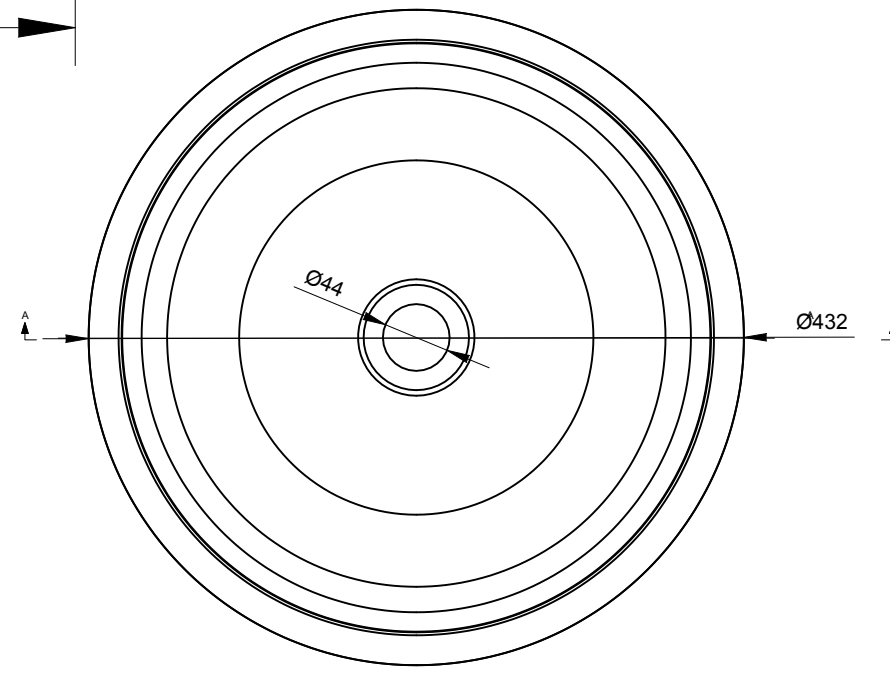
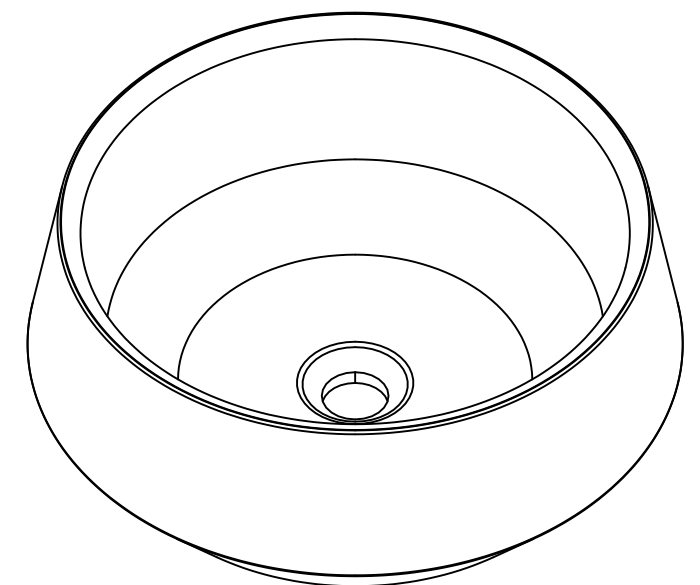
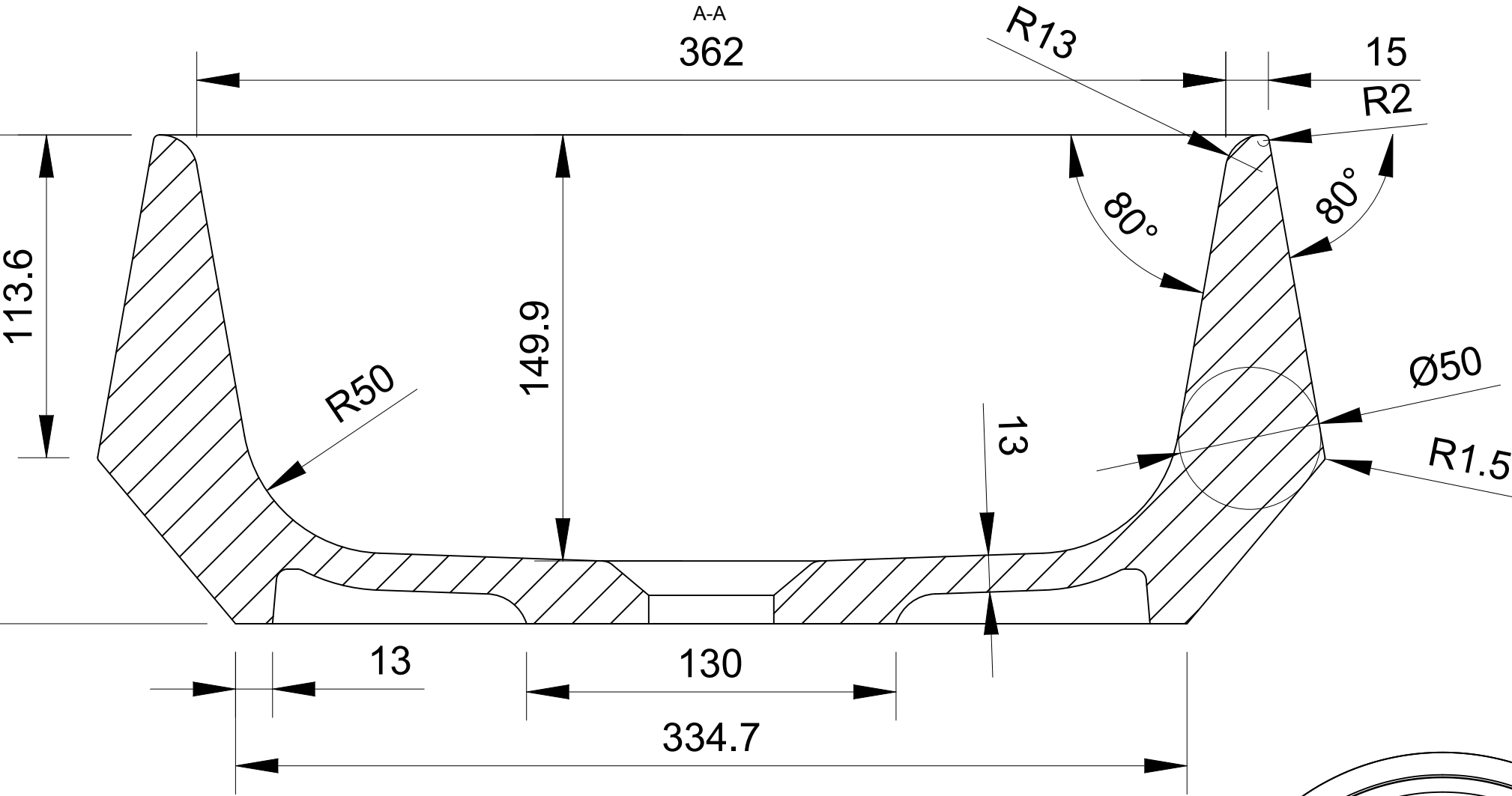


REV	DATE	DESCRIPTION	DRAWN	CHECKED
-	31/01/21	DRAWING CREATED	MF	MF

A-A SCALE 1:2

A-A
362



BOTTOM VIEW

TOLERANCE TOTAL	LENGTH	+3 / 0mm
	WIDTH	+2 / 0mm
	HEIGHT	+2 / -2mm
TOL. HEIGHT SIDE WALLS	≤ 25mm	+1 / -1mm
	> 25mm	+2 / -2mm
TOLERANCE HOLES LOCATION		+3 / -3mm
TOLERANCE HOLES DIAMETER		+1 / -1mm
TOLERANCE PLANE BENDING		+1.5 / -1.5mm

CREATED	DRAWN BY	CHECKED BY	DRAWING TITLE	DRAWING NO.	CURRENT REV.	VARIANT 1 - GLOSS FINISH	AUE-WB-GW	SHEET	SHEET SIZE	SCALE	
31/01/21	MF	MF	AUERBACH BASIN	AUE-WB	-	VARIANT 1 - MATT FINISH	AUE-WB-MW	1/1	A3	1:5	
OVERFLOW	NO	WASTE	REGULAR	TAPHOLE	0	MAIN DIMENSIONS		432 X 432 X 172			
NET WEIGHT	14.5g	GROSS WEIGHT	15.3kg	BASIN VOLUME		FULL = ***L		OVERFLOW= ***L			



THE
LUXURY BATH
COMPANY