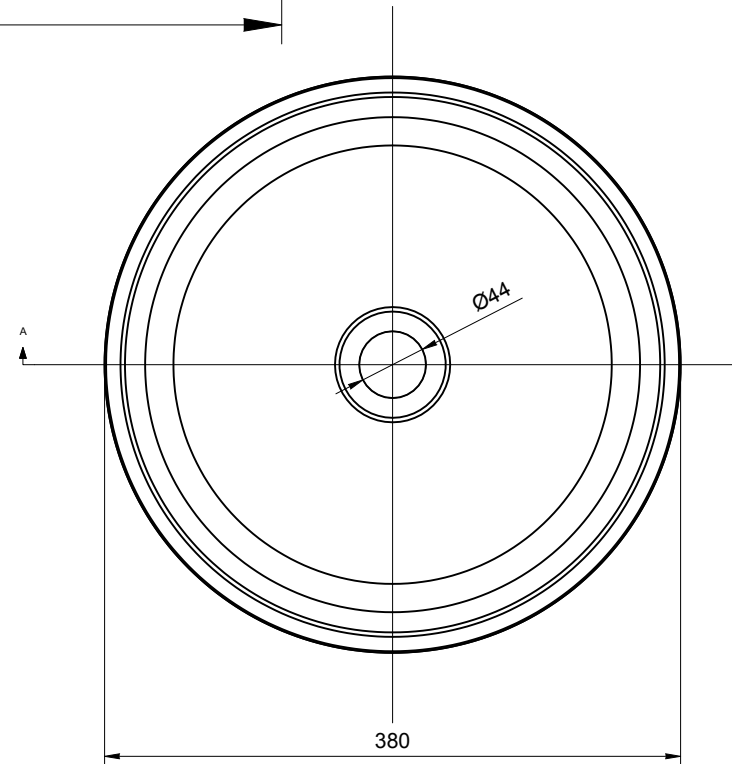
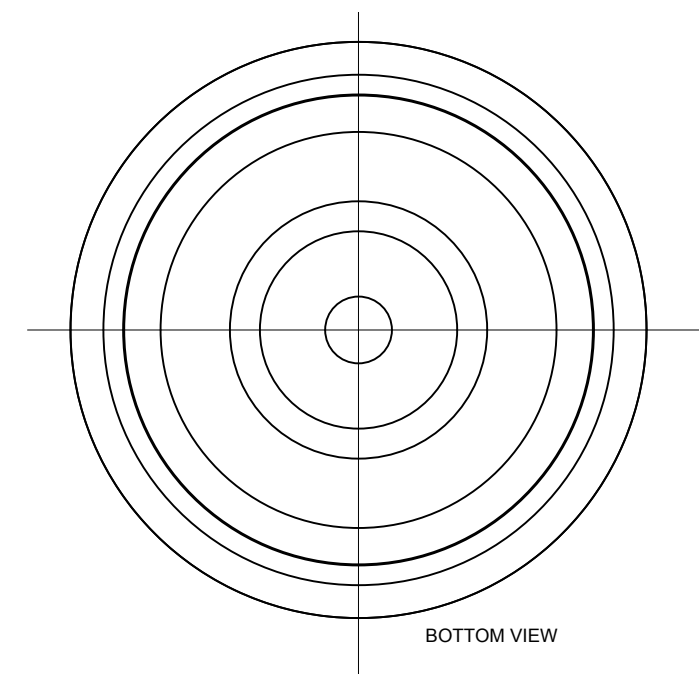
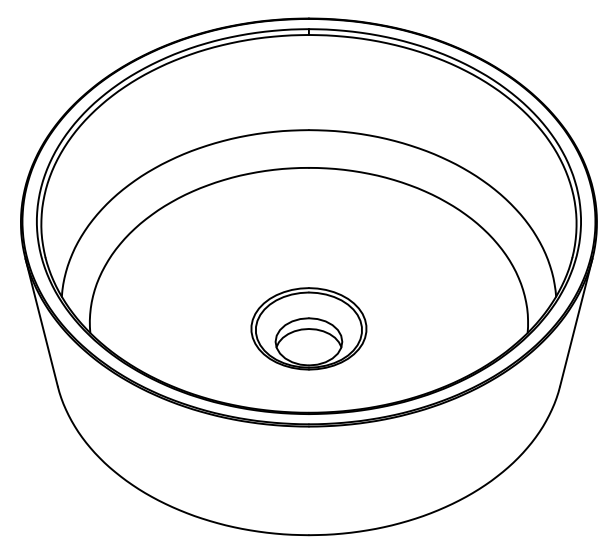
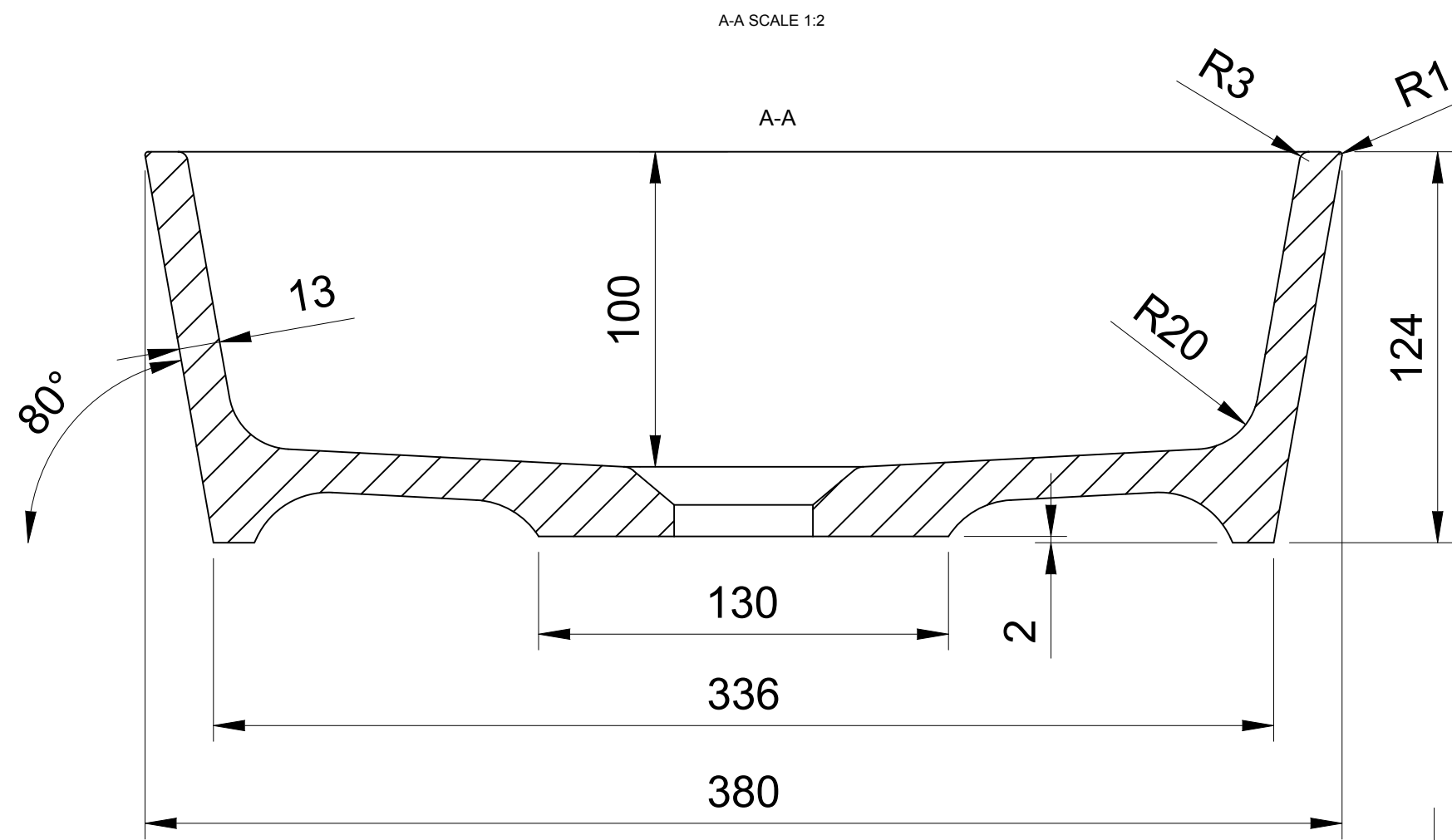


REV	DATE	DESCRIPTION	DRAWN	CHECKED
-	31/01/21	DRAWING CREATED	MF	MF



TOLERANCE TOTAL	LENGTH	+3 / 0mm
	WIDTH	+2 / 0mm
	HEIGHT	+2 / -2mm
TOL. HEIGHT SIDE WALLS	≤ 25mm	+1 / -1mm
	> 25mm	+2 / -2mm
TOLERANCE HOLES LOCATION		+3 / -3mm
TOLERANCE HOLES DIAMETER		+1 / -1mm
TOLERANCE PLANE BENDING		+1.5 / -1.5mm

CREATED	DRAWN BY	CHECKED BY	DRAWING TITLE	DRAWING NO.	CURRENT REV.	VARIANT 1 - GLOSS FINISH	BAI-WB-GW	SHEET	SHEET SIZE	SCALE		
31/01/21	MF	MF	BAINBRIDGE BASIN	BAI-WB	-	VARIANT 1 - MATT FINISH	BAI-WB-MW	1/1	A3	1:5		
						OVERFLOW	WASTE	TAPHOLE	MAIN DIMENSIONS			
						NO	REGULAR	0	380 X 380 X 124			
						NET WEIGHT	GROSS WEIGHT	BATH VOLUME				
						5.9kg	7.3kg	FULL = ***L OVERFLOW= ***L				



— THE —
LUXURY BATH
— COMPANY —