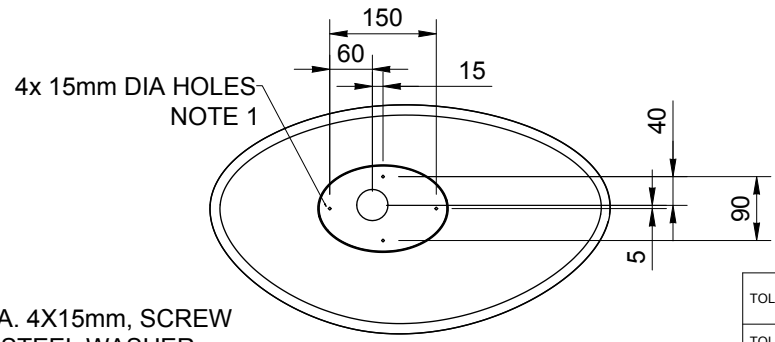
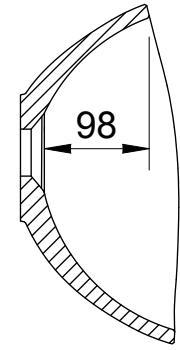
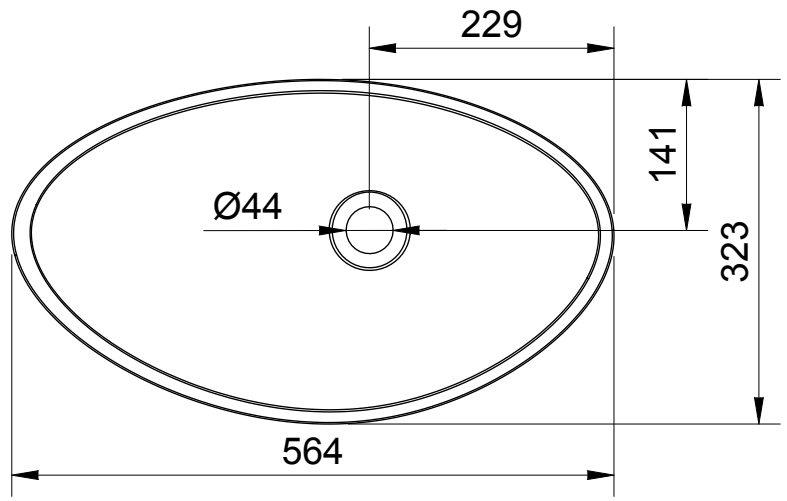
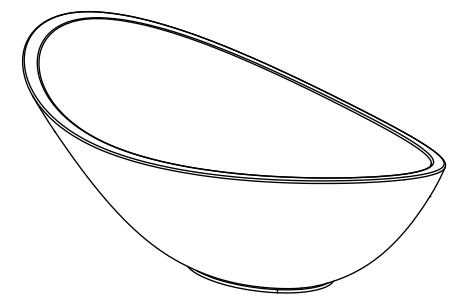
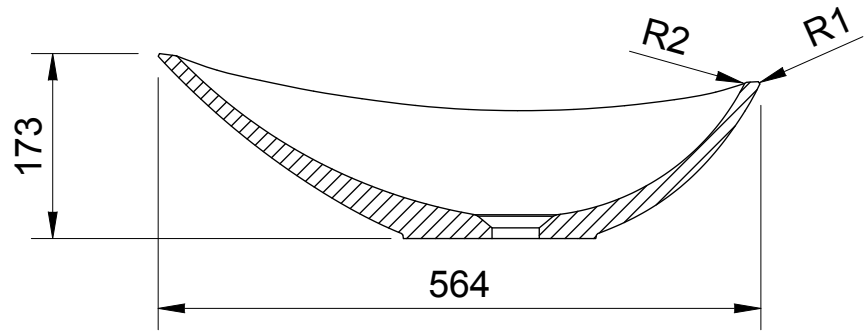


REV	DATE	DESCRIPTION	DRAWN	CHECKED
-	26/01/21	DRAWING CREATED	MF	MF



NOTE 1
4X HOLE DIA. 4X15mm, SCREW
4.8 X 25mm STEEL WASHER

BOTTOM VIEW NOT TO SCALE

TOLERANCE TOTAL	LENGTH	+3 / 0mm
	WIDTH	+2 / 0mm
	HEIGHT	+2 / -2mm
TOL. HEIGHT SIDE WALLS	≤ 25mm	+1 / -1mm
	> 25mm	+2 / -2mm
TOLERANCE HOLES LOCATION		+2 / -2mm
TOLERANCE HOLES DIAMETER		+1 / -1mm
TOLERANCE PLANE BENDING		+1.5 / -1.5mm

CREATED	DRAWN BY	CHECKED BY	DRAWING TITLE	DRAWING No.	CURRENT REV	VARIANT - GLOSS FINISH	BAN-WB-GW	SHEET	SHEET SIZE	SCALE	SYMBOL	
26/01/21	MF	MF	BANKSY BASIN	BAN-WB	-	VARIANT - MATT FINISH	BAN-WB-MW	1/1	A3	1:5	⊕	
							OVERFLOW	DRAIN	TAPSOLE	MAIN DIMENSIONS		
							NO	*	*	564X 323 X 173/146		
							NET WEIGHT	GROSS WEIGHT	BASIN VOLUME			
							6kg	7.2g	FULL = ****L OVERFLOW= ****L			



THE
LUXURY BATH
COMPANY