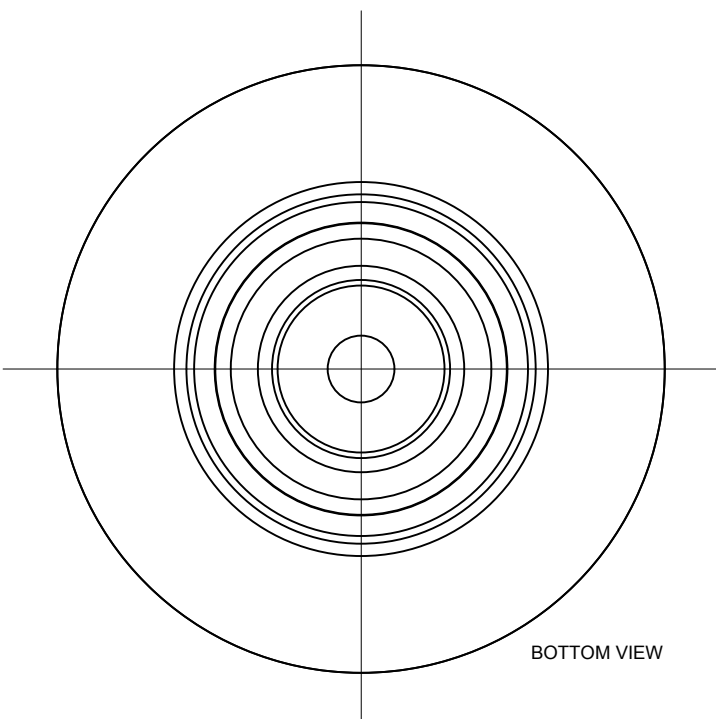
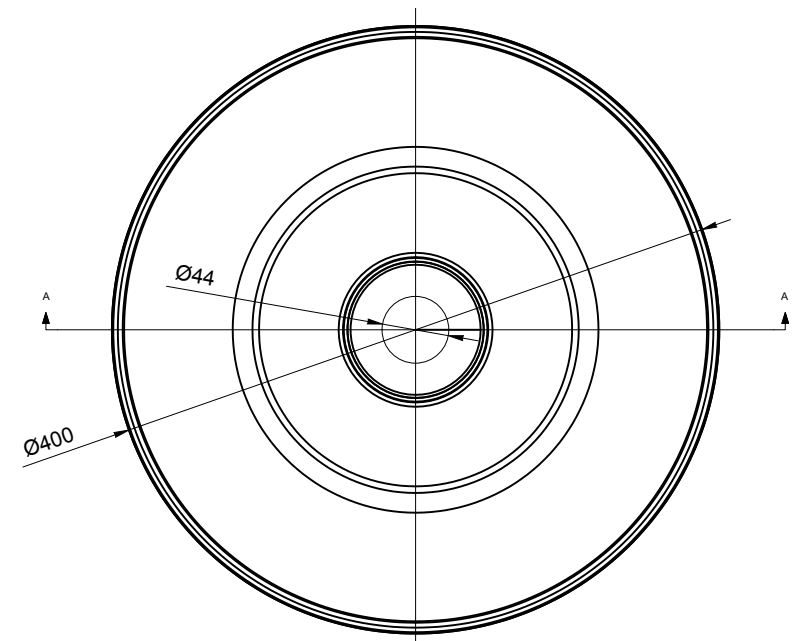
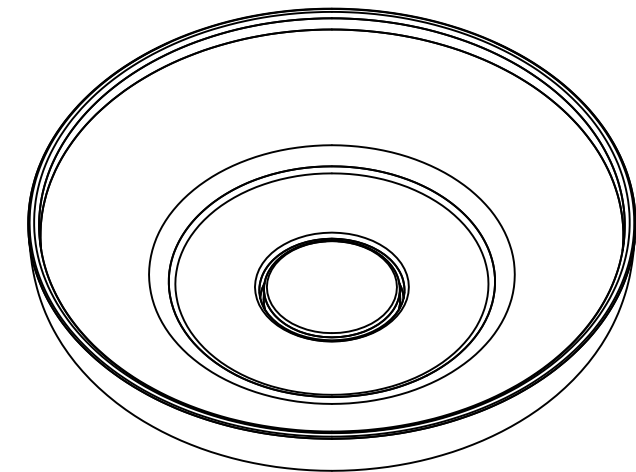
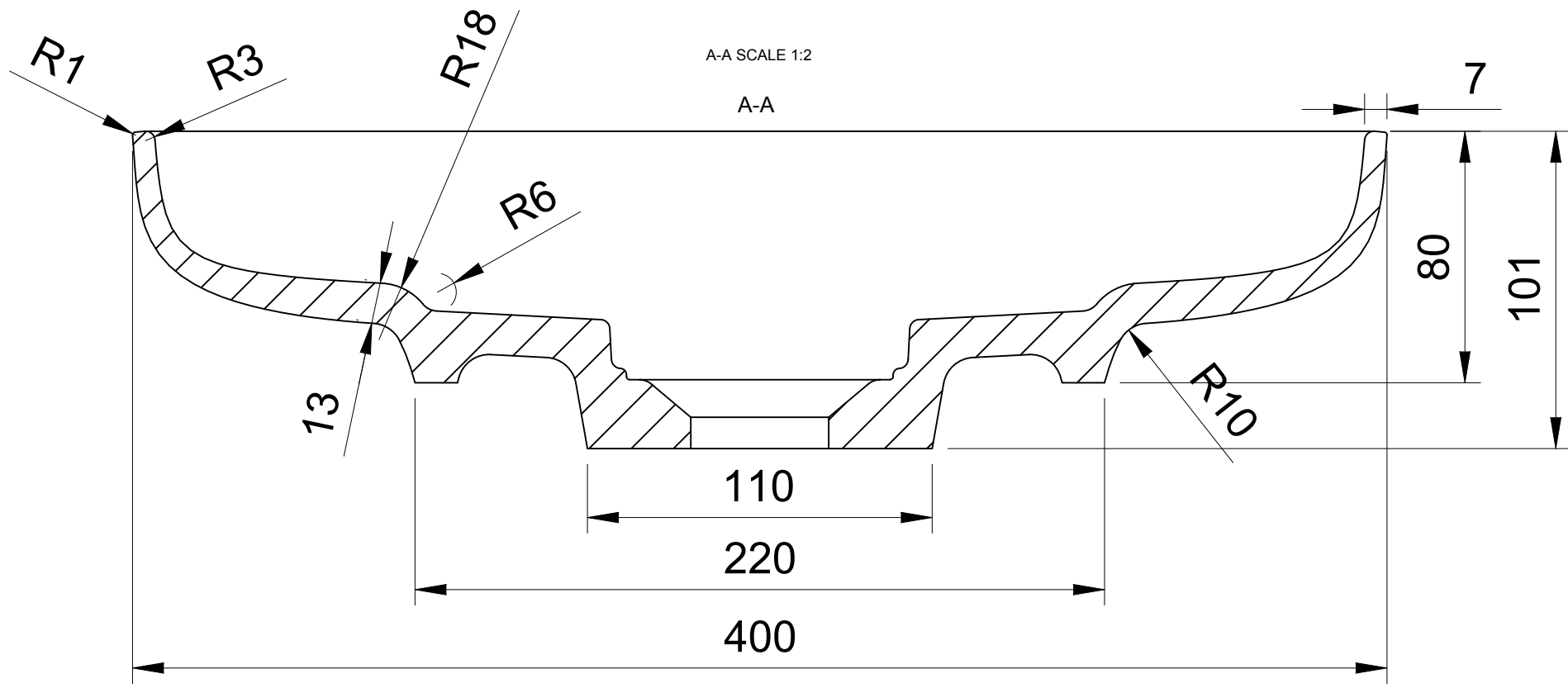


REV	DATE	DESCRIPTION	DRAWN	CHECKED
-	31/01/21	DRAWING CREATED	MF	MF



TOLERANCE TOTAL	LENGTH	+3 / 0mm
	WIDTH	+2 / 0mm
	HEIGHT	+2 / -2mm
TOL. HEIGHT SIDE WALLS	≤ 25mm	+1 / -1mm
	> 25mm	+2 / -2mm
TOLERANCE HOLES LOCATION		+3 / -3mm
TOLERANCE HOLES DIAMETER		+1 / -1mm
TOLERANCE PLANE BENDING		+1.5 / -1.5mm

CREATED	DRAWN BY	CHECKED BY	DRAWING TITLE	DRAWING No.	CURRENT REV.	VARIANT 1 - GLOSS FINISH	BAR-WB-GW	SHEET	SHEET SIZE	SCALE		
31/01/21	MF	MF	BARKER BASIN	BAR-WB	-	VARIANT 1 - MATT FINISH	BAR-WB-MW	1/1	A3	1:5		
						OVERFLOW	WASTE COVER	TAPHOLE	MAIN DIMENSIONS			
						NO	COVER	0	400X 400 X 101			
						NET WEIGHT	GROSS WEIGHT	BASIN VOLUME				
						3.8kg	4.4kg	FULL = ***L OVERFLOW= ***L				



THE
LUXURY BATH
COMPANY