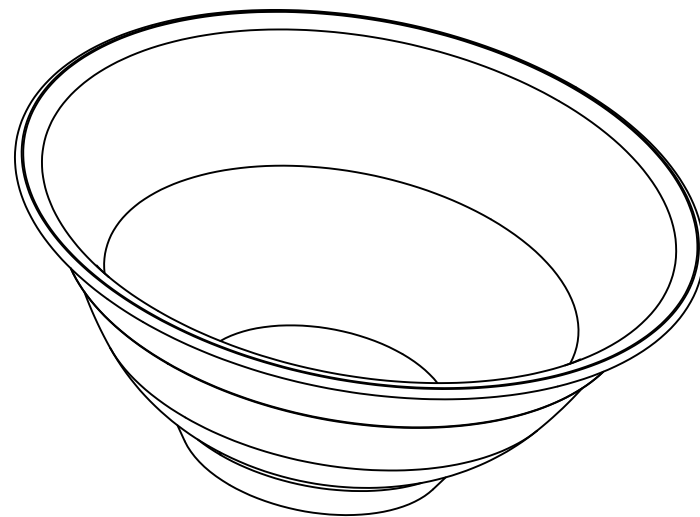
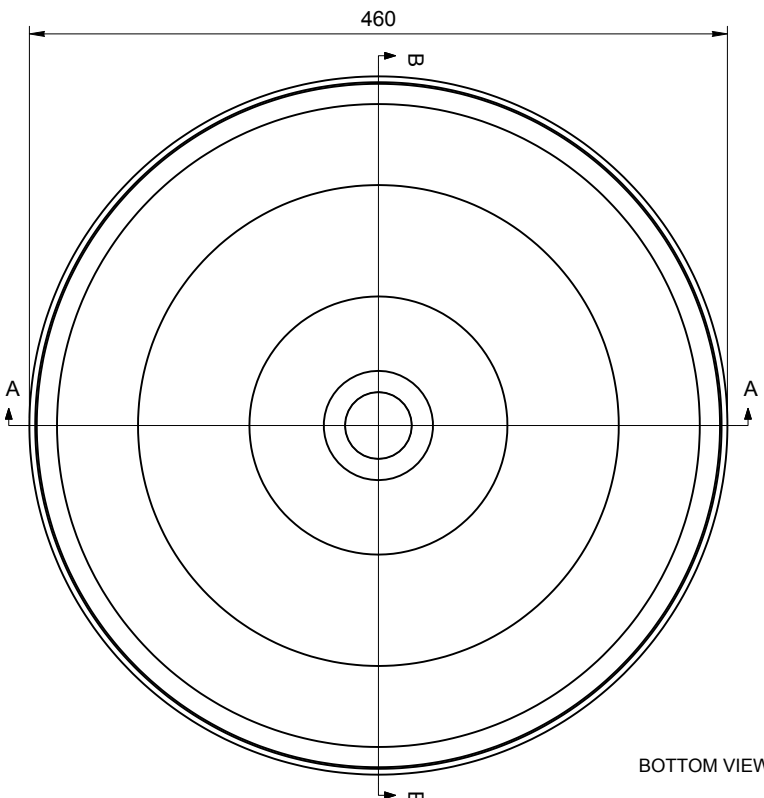
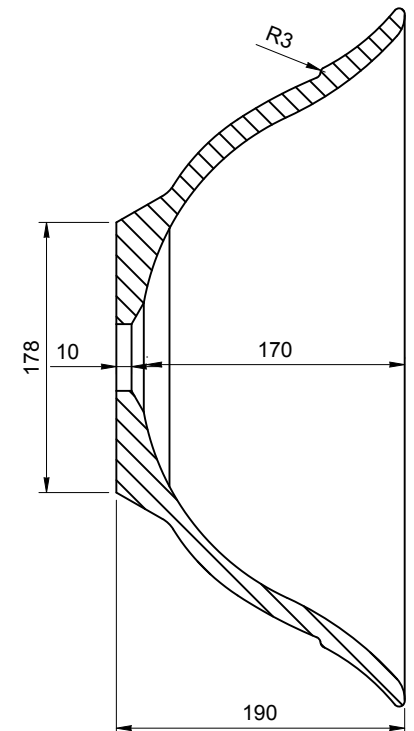
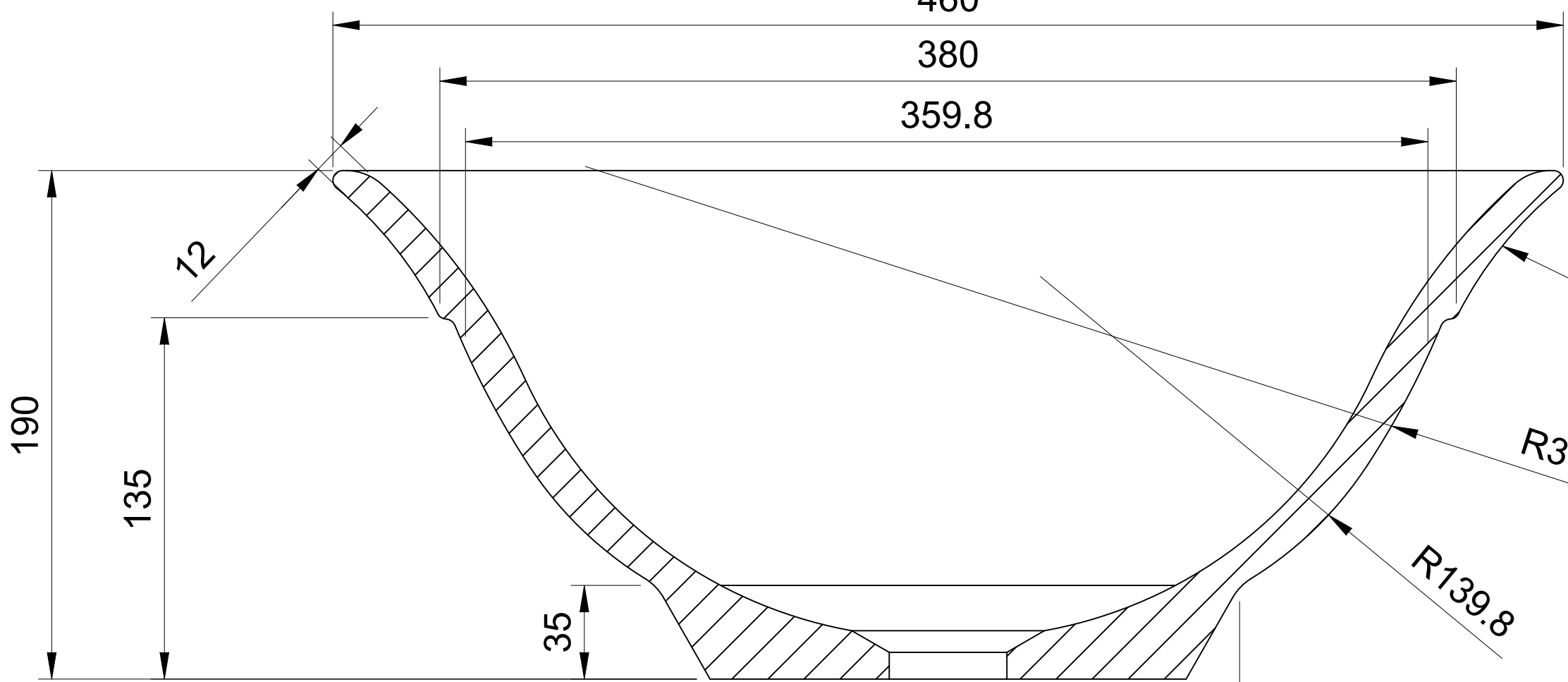


A-A SCALE 1:2

A-A
460
380
359.8

REV	DATE	DESCRIPTION	DRAWN	CHECKED
-	31/01/21	DRAWING CREATED	MF	MF



TOLERANCE TOTAL	LENGTH	+3 / 0mm
	WIDTH	+2 / 0mm
	HEIGHT	+2 / -2mm
TOL. HEIGHT SIDE WALLS	≤ 25mm	+1 / -1mm
	> 25mm	+2 / -2mm
TOLERANCE HOLES LOCATION		+3 / -3mm
TOLERANCE HOLES DIAMETER		+1 / -1mm
TOLERANCE PLANE BENDING		+1.5 / -1.5mm

CREATED	DRAWN BY	CHECKED BY	DRAWING TITLE	DRAWING NO.	CURRENT REV.	VARIANT 1 - GLOSS FINISH	CHA-WB-WG	SHEET	SHEET SIZE	SCALE	
31/01/21	MF	MF	CHAMBERLAIN BASIN	CHA-WB	-	VARIANT 1 - MATT FINISH	CHA-WB-MW	1/1	A3	1:5	
				THE LUXURY BATH COMPANY		OVERFLOW	WASTE	TAPHOLE	MAIN DIMENSIONS		
						NO	*	0	460X 460 X 190		
						NET WEIGHT	GROSS WEIGHT	<small>BASIN VOLUME</small> FULL = ***L OVERFLOW= ***L			
						6kg	7.5kg				