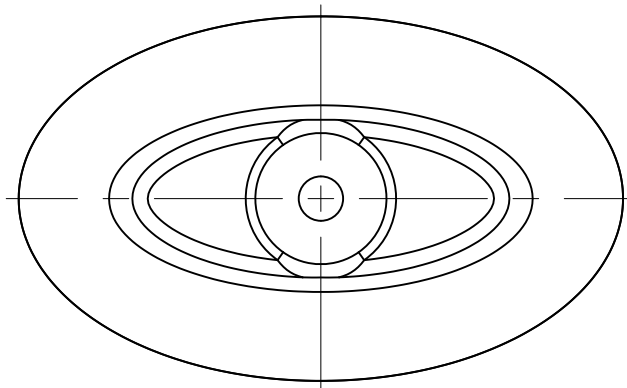
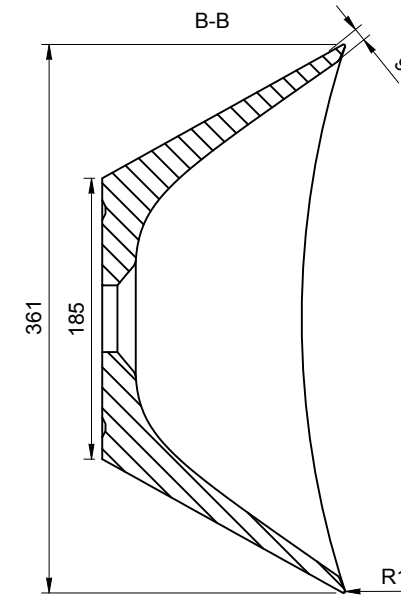
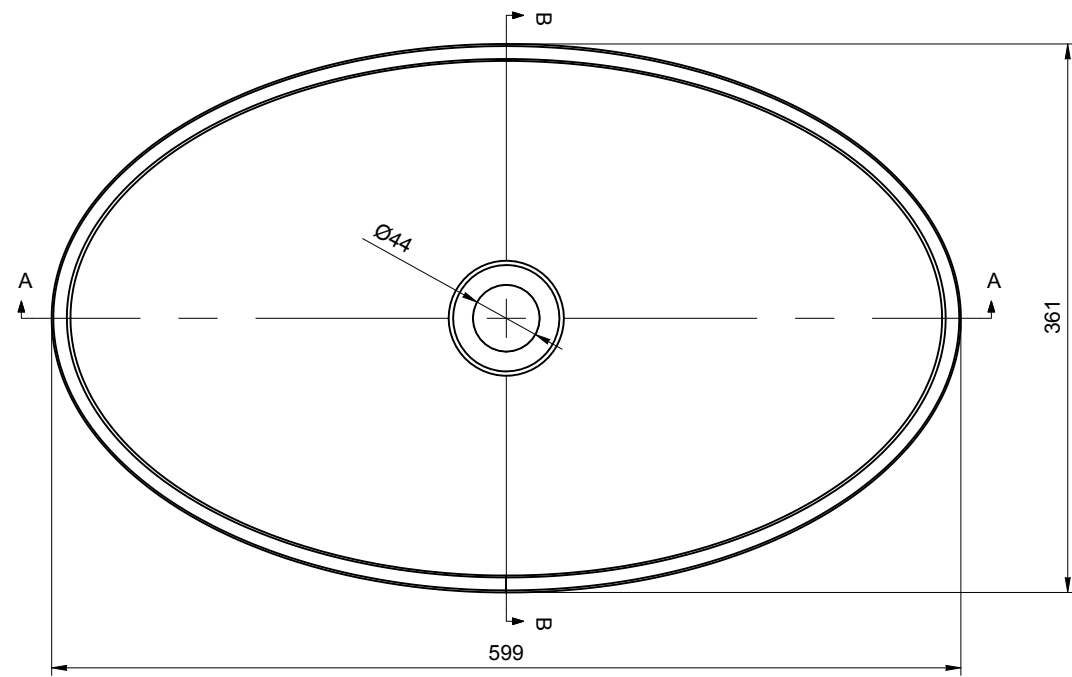
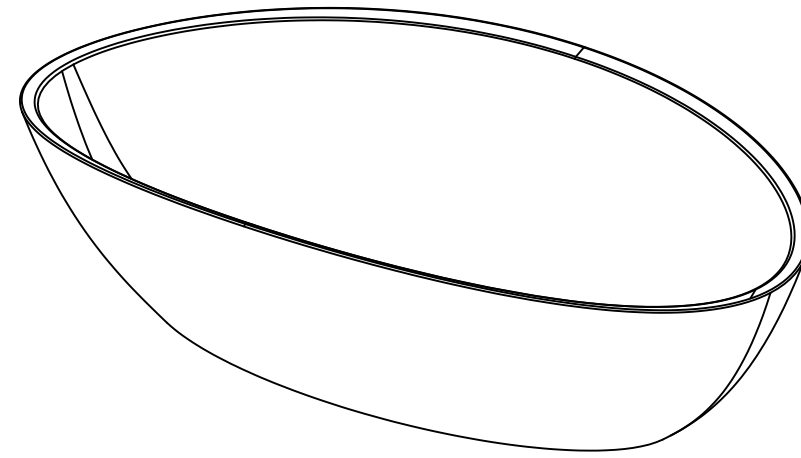
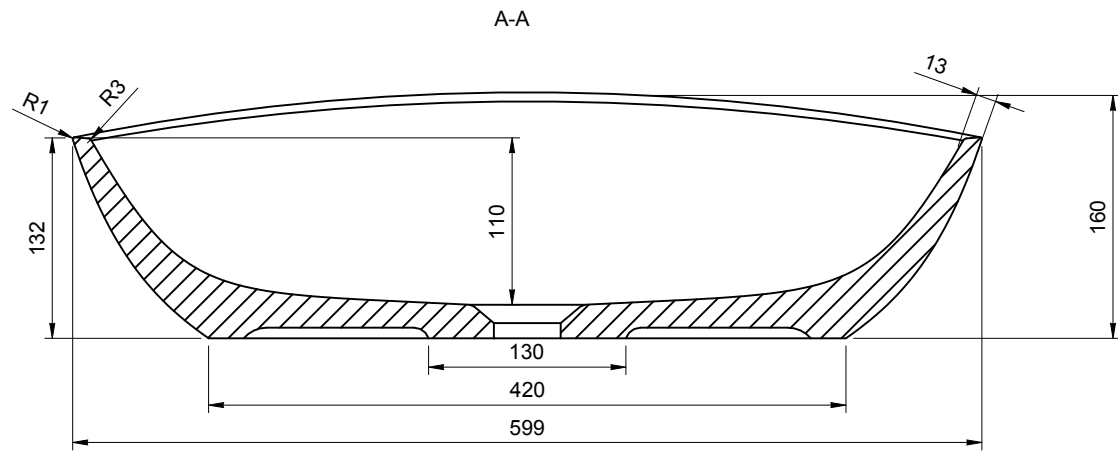


REV	DATE	DESCRIPTION	DRAWN	CHECKED
-	31/01/21	DRAWING CREATED	MF	MF



BOTTOM VIEW NOT TO SCALE

TOLERANCE TOTAL	LENGTH	+3 / 0mm	CREATED	31/01/21	DRAWN BY	MF	CHECKED BY	MF	DRAWING TITLE	FREUD BASIN	DRAWING NO.	FRE-WB	CURRENT REV.	-	VARIANT 1 - GLOSS FINISH	FRE-WB-GW	SHEET	1/1	SHEET SIZE	A3	SCALE	1:5	
	WIDTH	+2 / 0mm																					
TOL. HEIGHT SIDE WALLS	HEIGHT	+2 / -2mm																					
	≤ 25mm	+1 / -1mm																					
	> 25mm	+2 / -2mm																					
TOLERANCE HOLES LOCATION		+3 / -3mm			THE LUXURY BATH COMPANY		OVERFLOW		NO	WASTE		REGULAR	TAPHOLE	1	MAIN DIMENSIONS		599X 361 X 160						
TOLERANCE HOLES DIAMETER		+1 / -1mm					NET WEIGHT		9.4kg	GROSS WEIGHT		10.3kg	BATH VOLUME		FULL = ***L		OVERFLOW= ***L						
TOLERANCE PLANE BENDING		+1.5 / -1.5mm																					