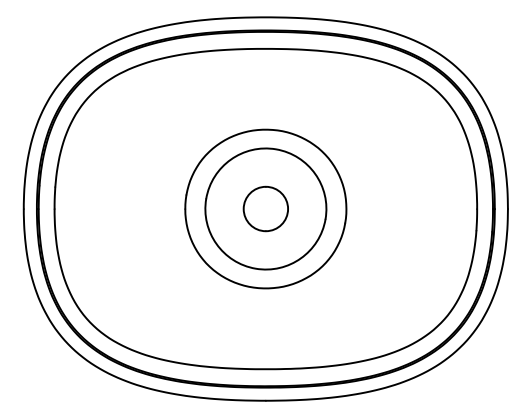
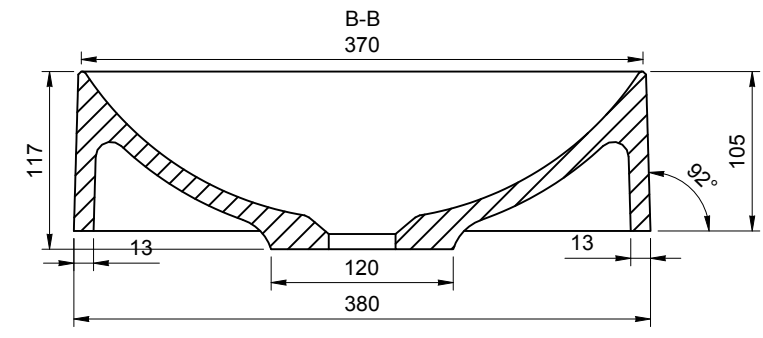
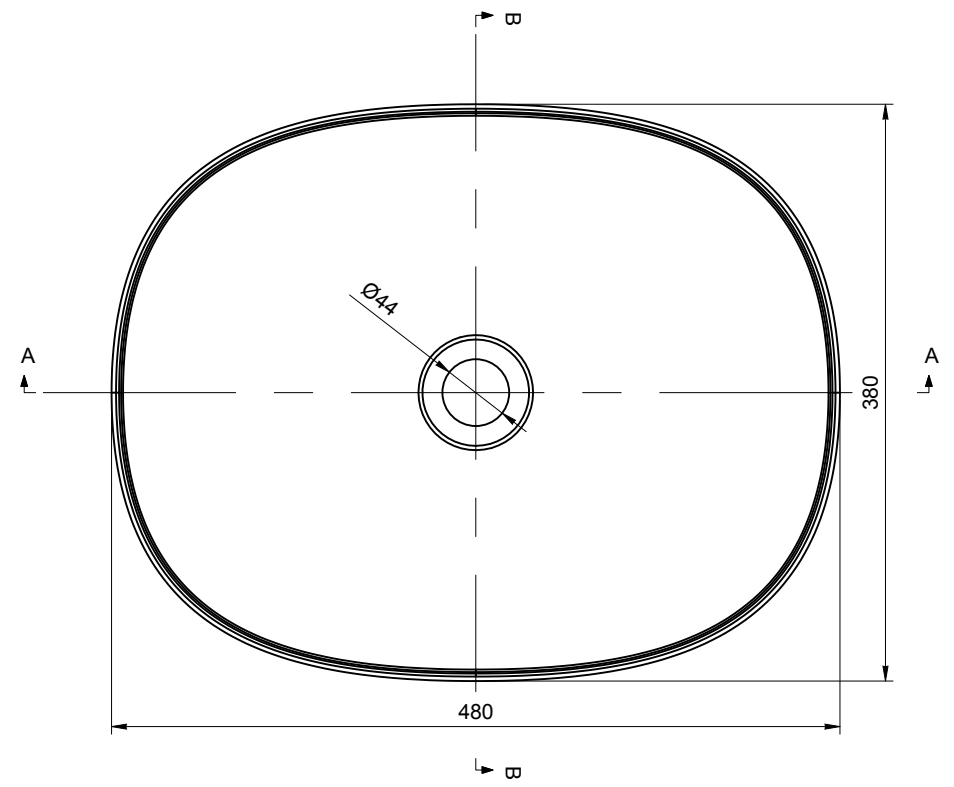
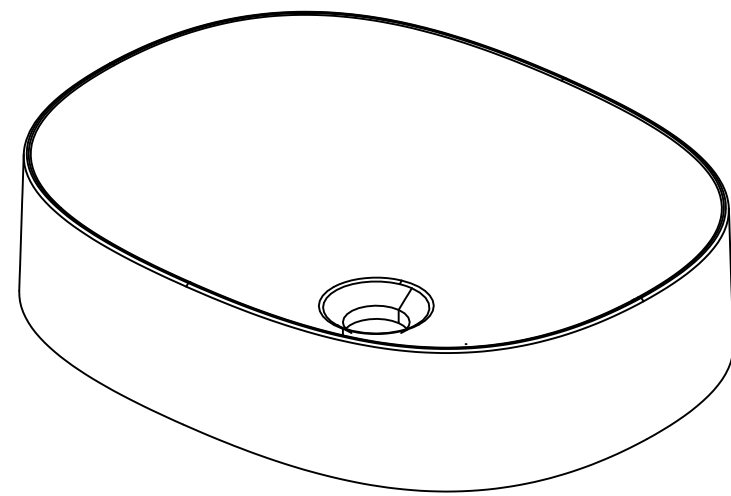
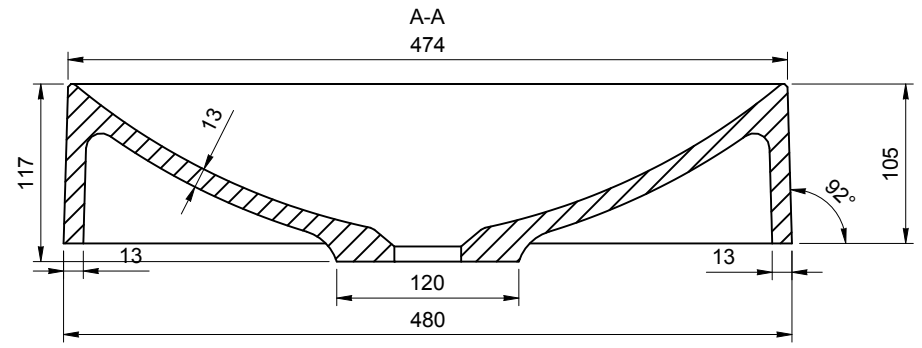


REV	DATE	DESCRIPTION	DRAWN	CHECKED
-	07/02/21	DRAWING CREATED	MF	MF



BOTTOM VIEW

TOLERANCE TOTAL	LENGTH	+3 / 0mm	CREATED	07/02/21	DRAWN BY	MF	CHECKED BY	MF	DRAWING TITLE	GILPIN OVAL BASIN	DRAWING No.	GIL-WB-OV	CURRENT REV.	-	VARIANT 1 - GLOSS FINISH	GIL-WB-OV-GW	SHEET	1/1	SHEET SIZE	A3	SCALE	1:5	
	WIDTH	+2 / 0mm																					
TOL. HEIGHT SIDE WALLS	HEIGHT	+2 / -2mm																					
	≤ 25mm	+1 / -1mm																					
	> 25mm	+2 / -2mm																					
TOLERANCE HOLES LOCATION		+3 / -3mm																					
TOLERANCE HOLES DIAMETER		+1 / -1mm																					
TOLERANCE PLANE BENDING		+1.5 / -1.5mm																					
												OVERFLOW	NO	WASTE	*	TAPHOLE	0	MAIN DIMENSIONS	480X 380 X 117				
												NET WEIGHT	7.9kg	GROSS WEIGHT	9kg	BASIN VOLUME	FULL = ***L	OVERFLOW= ***L					