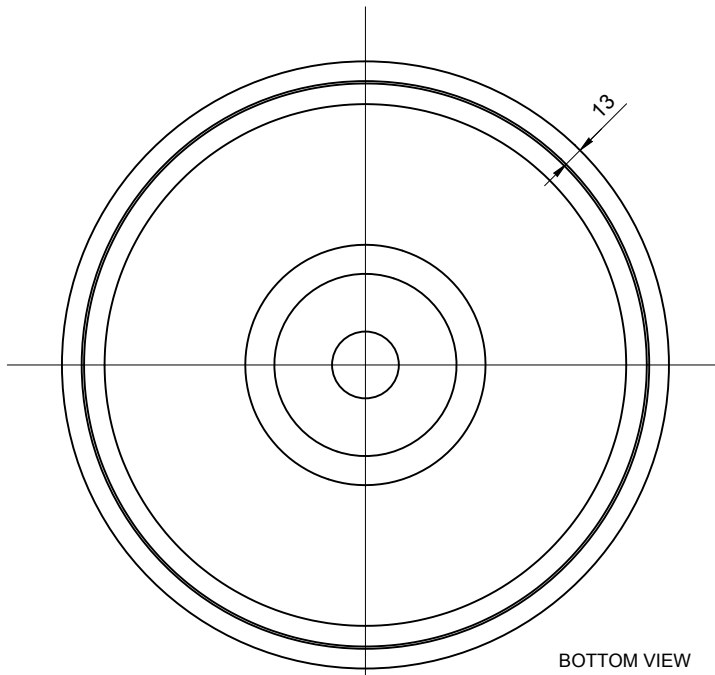
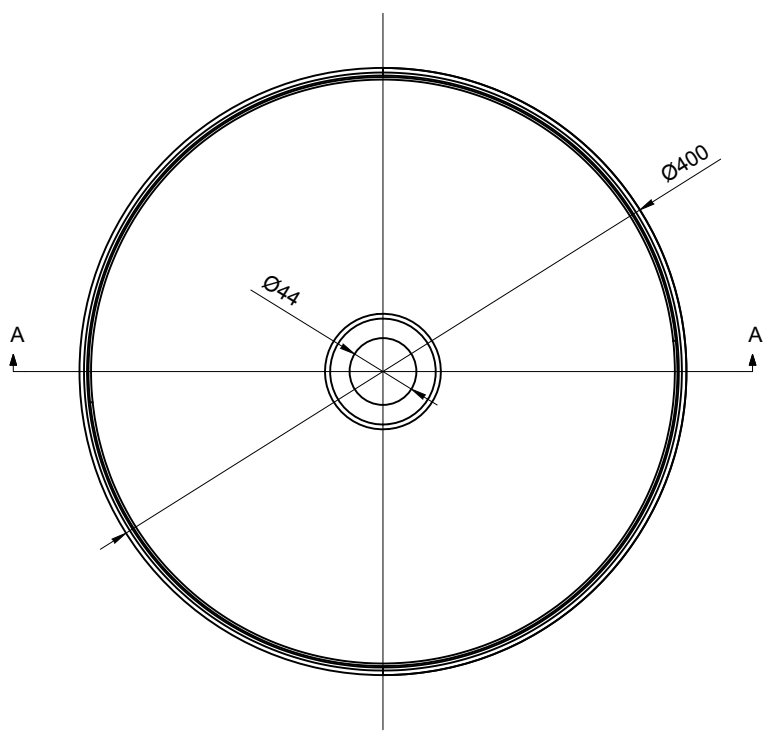
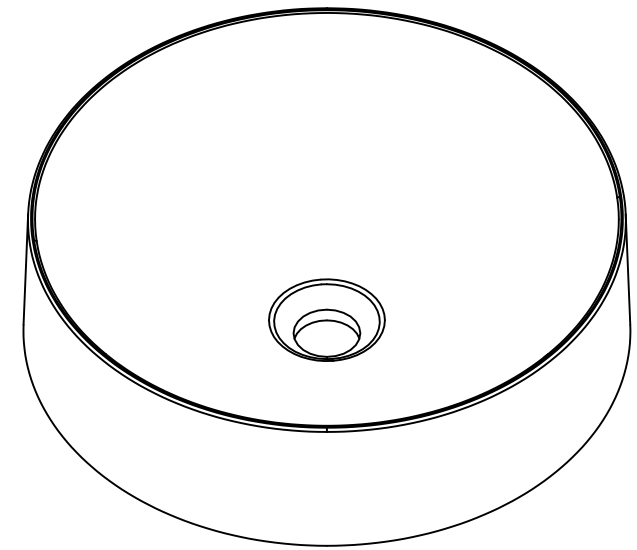
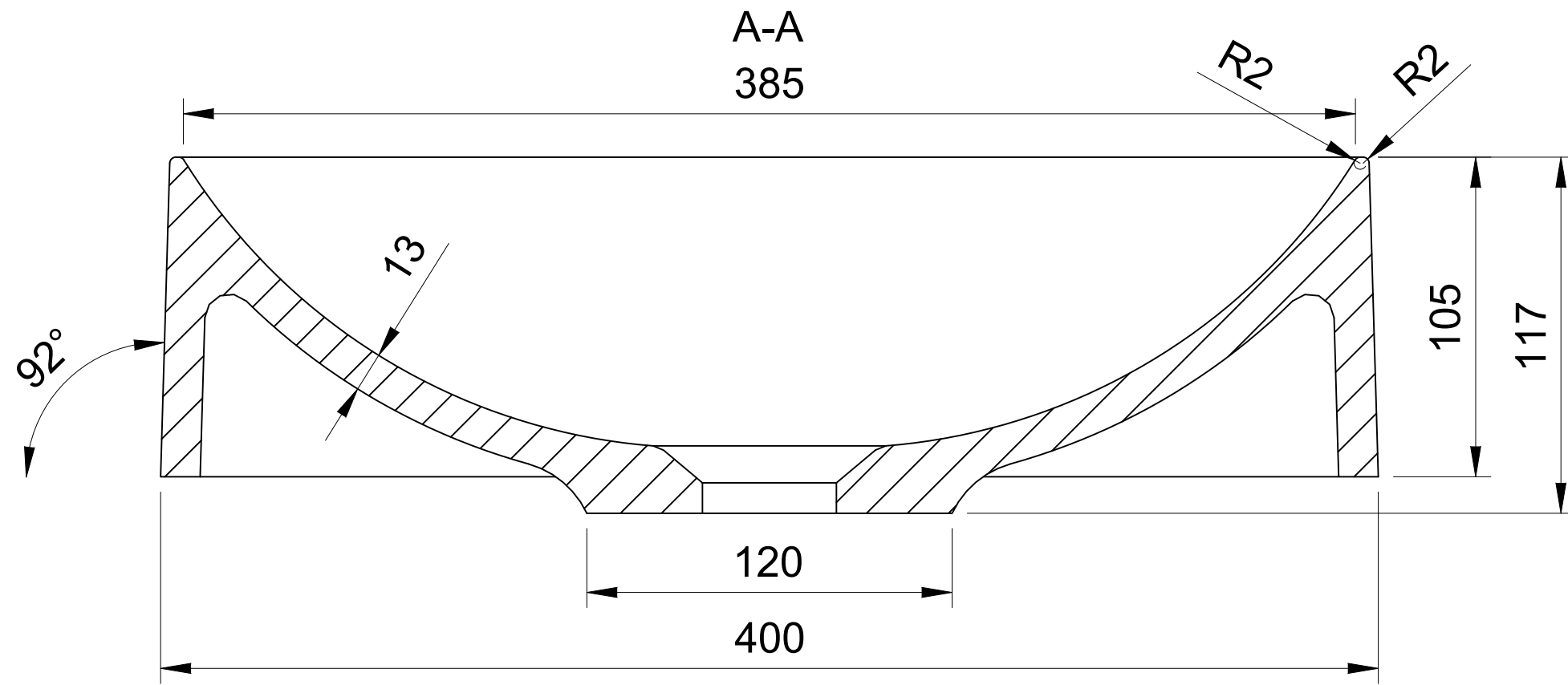


REV	DATE	DESCRIPTION	DRAWN	CHECKED
-	31/01/21	DRAWING CREATED	MF	MF



BOTTOM VIEW

TOLERANCE TOTAL	LENGTH	+3 / 0mm
	WIDTH	+2 / 0mm
	HEIGHT	+2 / -2mm
TOL. HEIGHT SIDE WALLS	≤ 25mm	+1 / -1mm
	> 25mm	+2 / -2mm
TOLERANCE HOLES LOCATION		+3 / -3mm
TOLERANCE HOLES DIAMETER		+1 / -1mm
TOLERANCE PLANE BENDING		+1.5 / -1.5mm

CREATED	DRAWN BY	CHECKED BY	DRAWING TITLE	DRAWING No.	CURRENT REV.	VARIANT 1 - GLOSS FINISH	GIL-WB-RO-GW	SHEET	SHEET SIZE	SCALE	SYMBOL
31/01/21	MF	MF	GILPIN ROUND BASIN	GIL-WB-RO	-	VARIANT 1 - MATT FINISH	GIL-WB-RO-MW	1/1	A3	1:5	
							OVERFLOW	WASTE	TAPHOLE	MAIN DIMENSIONS	
							NO	REGULAR	0	400 X 400 X 112	
							NET WEIGHT	GROSS WEIGHT	BASIN VOLUME		
							6.5kg	7.2g	FULL = ***L OVERFLOW= ***L		



THE
LUXURY BATH
COMPANY