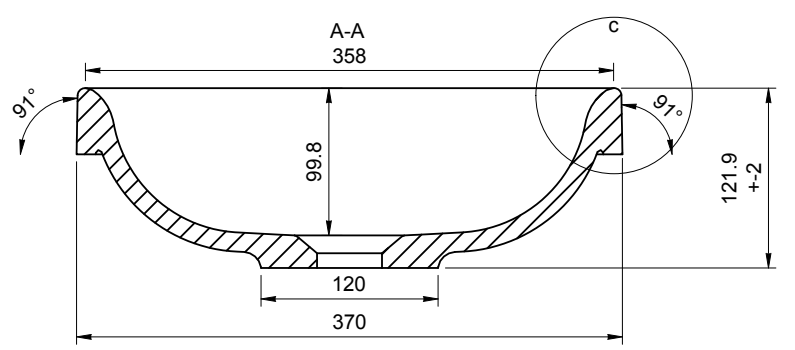
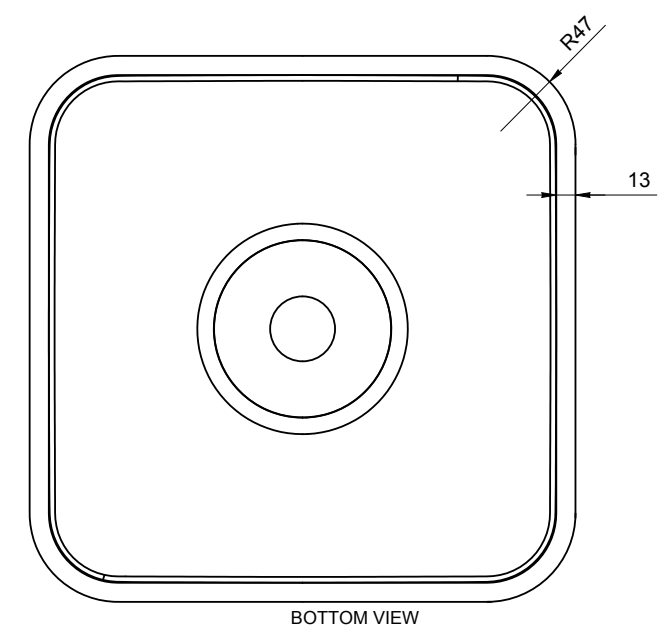
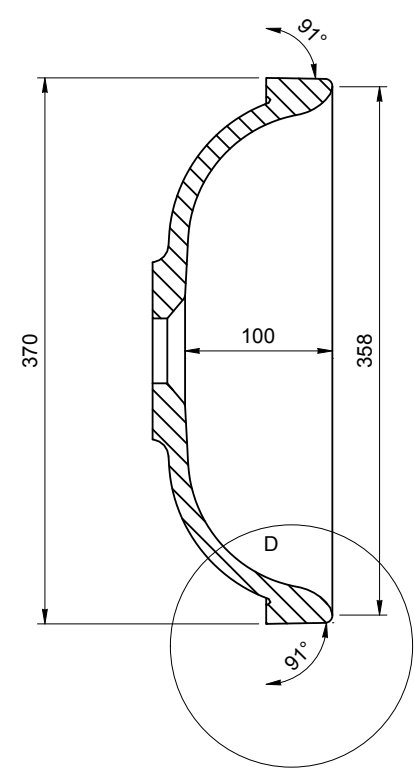
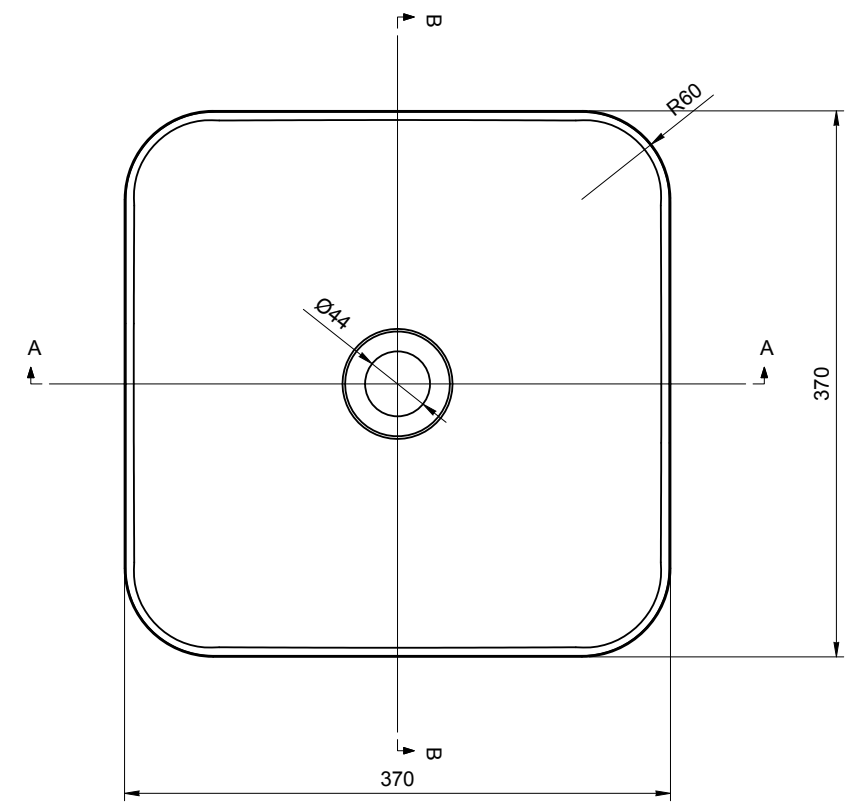
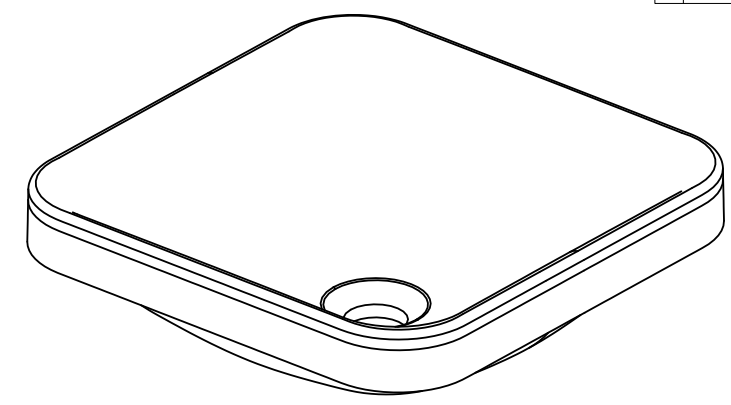
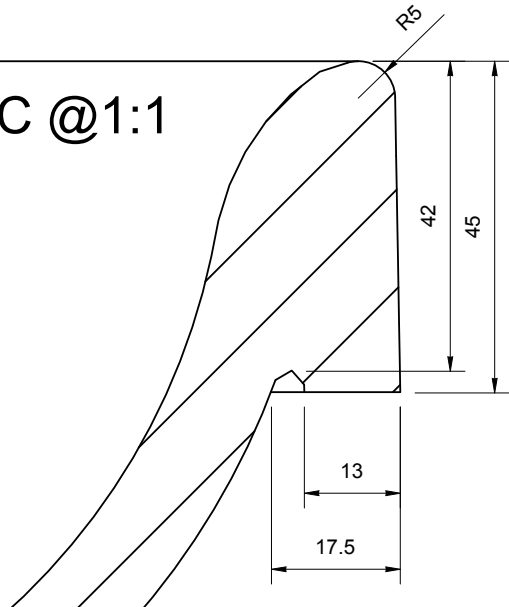


REV	DATE	DESCRIPTION	DRAWN	CHECKED
-	31/01/21	DRAWING CREATED	MF	MF

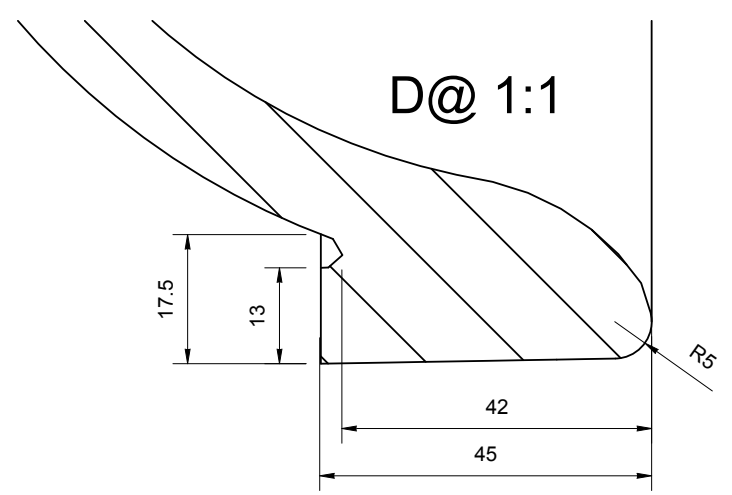


C @ 1:1

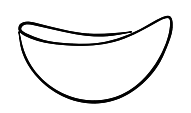


BOTTOM VIEW

D @ 1:1



TOLERANCE TOTAL	LENGTH	+3 / 0mm	CREATED	DRAWN BY	CHECKED BY	DRAWING TITLE	DRAWING No.	CURRENT REV.	VARIANT 1 - GLOSS FINISH	HEA-WB-GW	SHEET	SHEET SIZE	SCALE	SYMBOL	
	WIDTH	+2 / 0mm	31/01/21	MF	MF	HEATH BASIN	HEA-WB	-	VARIANT 1 - MATT FINISH	HEA-WB-MW	1/1	A3	1:5	⊕	
	HEIGHT	+2 / -2mm													
TOL. HEIGHT SIDE WALLS	≤ 25mm	+1 / -1mm													
	> 25mm	+2 / -2mm													
TOLERANCE HOLES LOCATION		+3 / -3mm													
TOLERANCE HOLES DIAMETER		+1 / -1mm													
TOLERANCE PLANE BENDING		+1.5 / -1.5mm													
										OVERFLOW	WASTE	TAPHOLE	MAIN DIMENSIONS		
										NO	REGULAR	0	370X 370 X 122		
										NET WEIGHT	GROSS WEIGHT	BASIN VOLUME			
										5.5kg	63g	FULL = ***L OVERFLOW= ***L			



THE LUXURY BATH COMPANY