

1

2

3

4

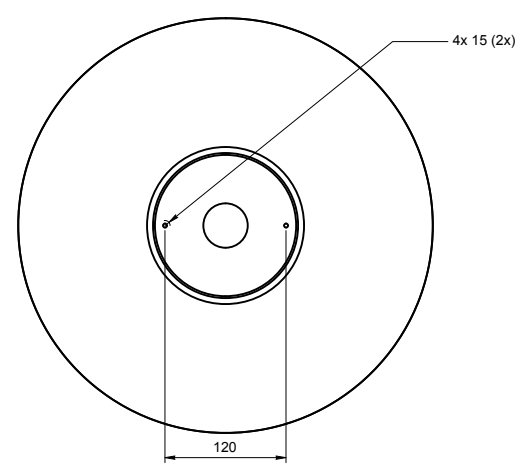
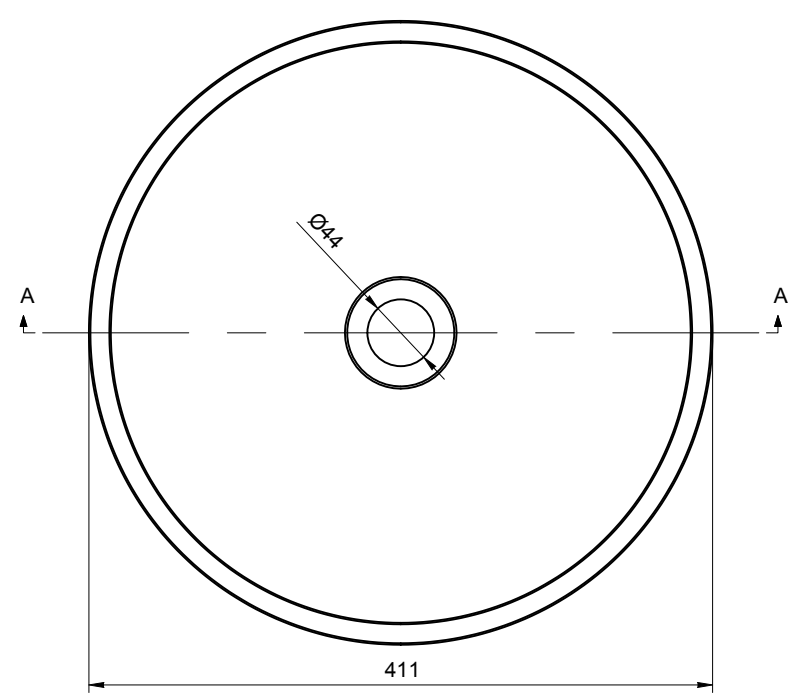
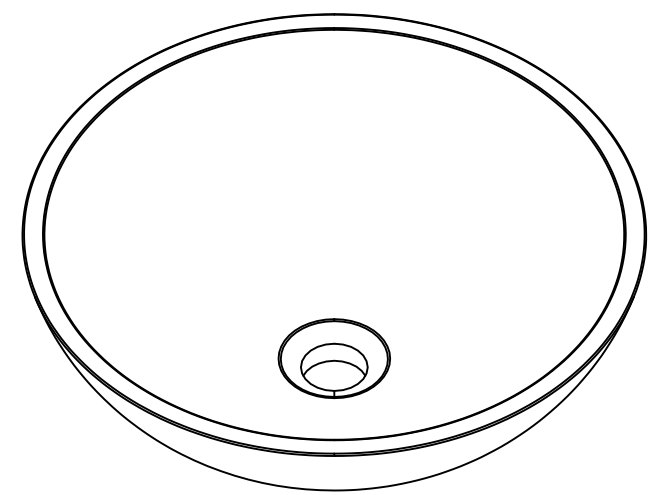
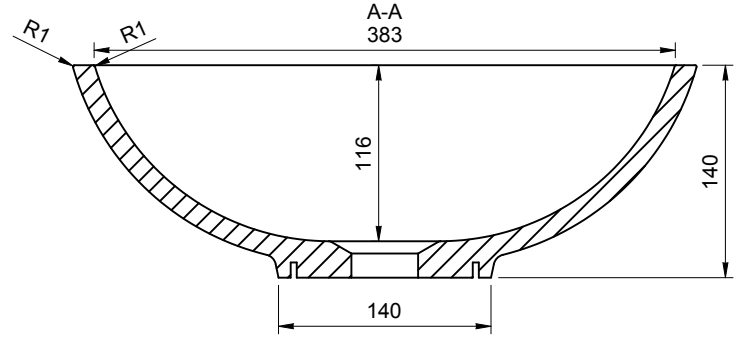
5

6

7

8

REV	DATE	DESCRIPTION	DRAWN	CHECKED
-	05/02/21	DRAWING CREATED	MF	MF



BOTTOM VIEW

TOLERANCE TOTAL	LENGTH	+3 / 0mm
	WIDTH	+2 / 0mm
	HEIGHT	+2 / -2mm
TOL. HEIGHT SIDE WALLS	≤ 25mm	+1 / -1mm
	> 25mm	+2 / -2mm
TOLERANCE HOLES LOCATION		+3 / -3mm
TOLERANCE HOLES DIAMETER		+1 / -1mm
TOLERANCE PLANE BENDING		+1.5 / -1.5mm

CREATED	DRAWN BY	CHECKED BY	DRAWING TITLE	DRAWING No.	CURRENT REV.	VARIANT 1 - GLOSS FINISH	LAC-WB-GW	SHEET	SHEET SIZE	SCALE	
05/02/21	MF	MF	LACEY BASIN	LAC-WB	-	VARIANT 1 - MATT FINISH	LAC-WB-MW	1/1	A3	1:5	
								OVERFLOW	WASTE	TAPHOLE	MAIN DIMENSIONS
						NO	REGULAR	0	411 X 411 X 13		
						NET WEIGHT	GROSS WEIGHT	<small>BASIN VOLUME</small> <b>FULL = ***L</b> <b>OVERFLOW= ***L</b>			
						5kg	6.5kg				

1

2

3

4

5

6

7

8

A

A

B

B

C

C

D

D

E

E

F

F