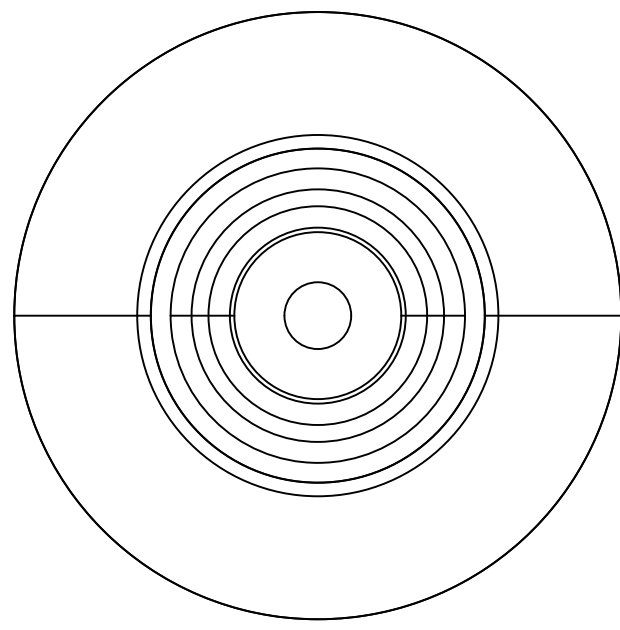
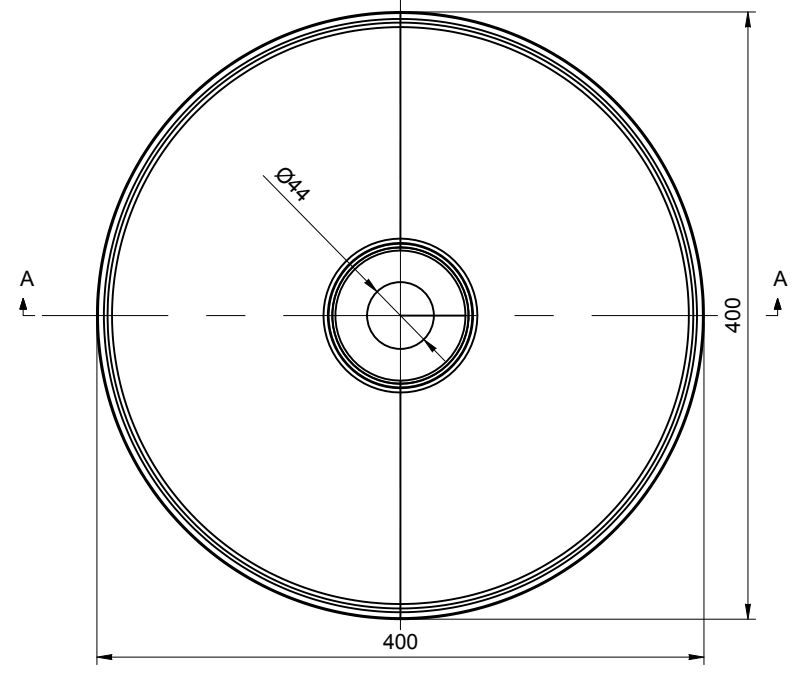
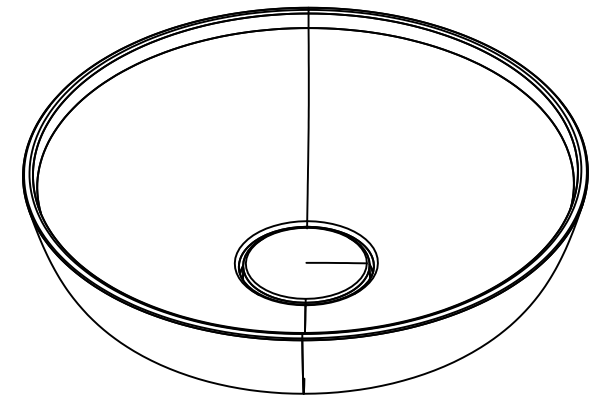
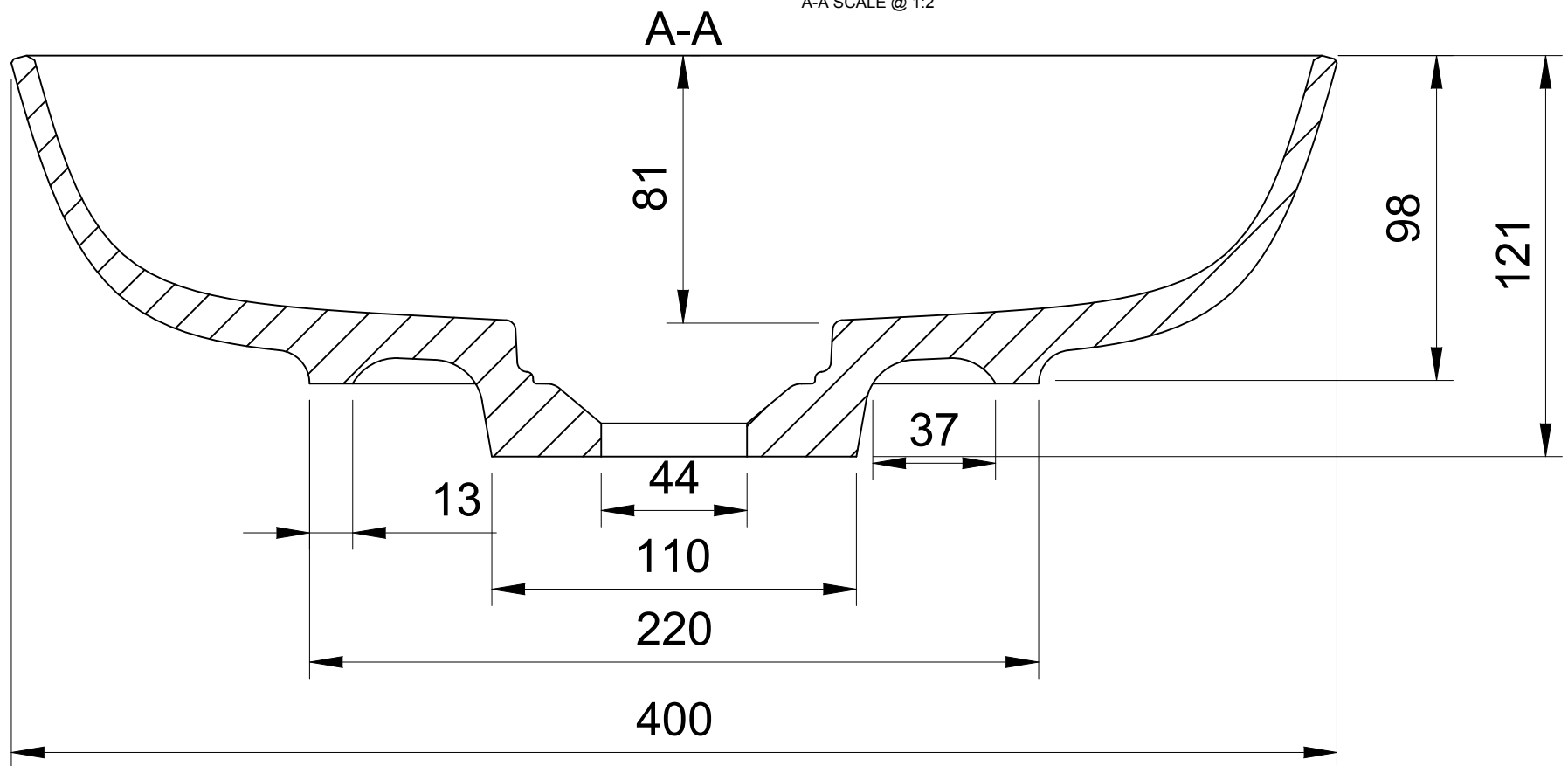


REV	DATE	DESCRIPTION	DRAWN	CHECKED
-	07/02/21	DRAWING CREATED	MF	MF

A-A SCALE @ 1:2



BOTTOM VIEW

TOLERANCE TOTAL	LENGTH	+3 / 0mm
	WIDTH	+2 / 0mm
TOL. HEIGHT SIDE WALLS	HEIGHT	+2 / -2mm
	≤ 25mm	+1 / -1mm
	> 25mm	+2 / -2mm
TOLERANCE HOLES LOCATION		+3 / -3mm
TOLERANCE HOLES DIAMETER		+1 / -1mm
TOLERANCE PLANE BENDING		+1.5 / -1.5mm

CREATED	DRAWN BY	CHECKED BY	DRAWING TITLE	DRAWING NO.	CURRENT REV.	VARIANT 1 - GLOSS FINISH	LAM-WB-GW	SHEET	SHEET SIZE	SCALE	Symbol
07/02/21	MF	MF	LAMBERT BASIN	LAM-WB	-	VARIANT 1 - MATT FINISH	LAM-WB-MW	1/1	A3	1:5	
OVERFLOW		WASTE		TAPHOLE		MAIN DIMENSIONS					
NO		*		0		400X 400 X 121					
NET WEIGHT		GROSS WEIGHT		BASIN VOLUME		FULL = ***L					
4kg		5.2kg		OVERFLOW= ***L							



—THE—  
**LUXURY BATH**  
—COMPANY—

1

2

3

4

5

6

7

8

1

2

3

4

5

6

7

8