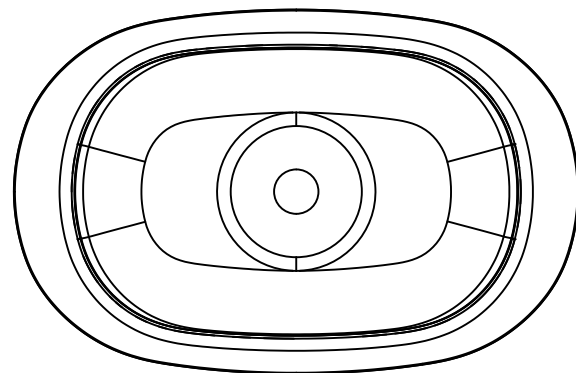
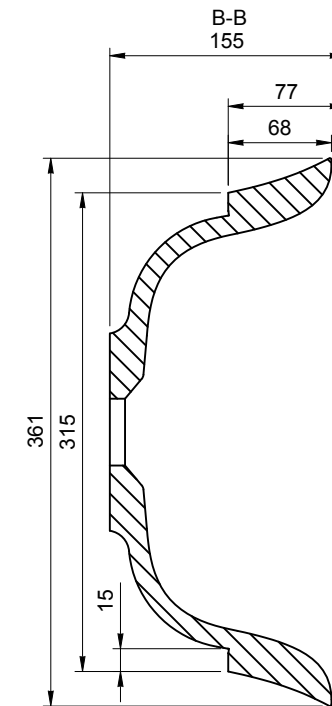
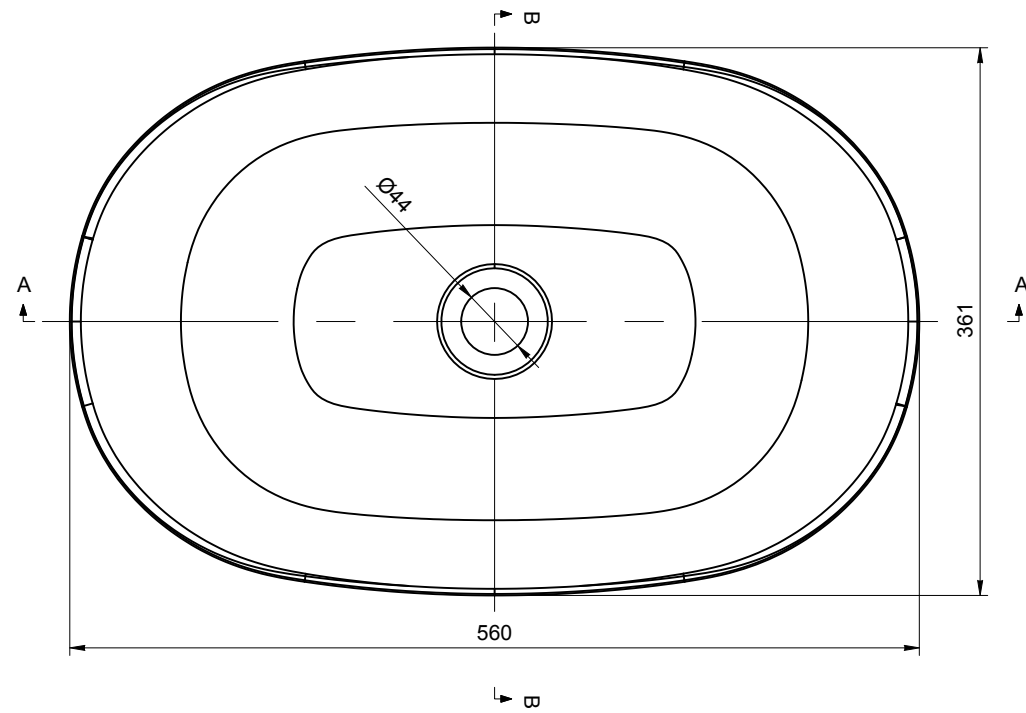
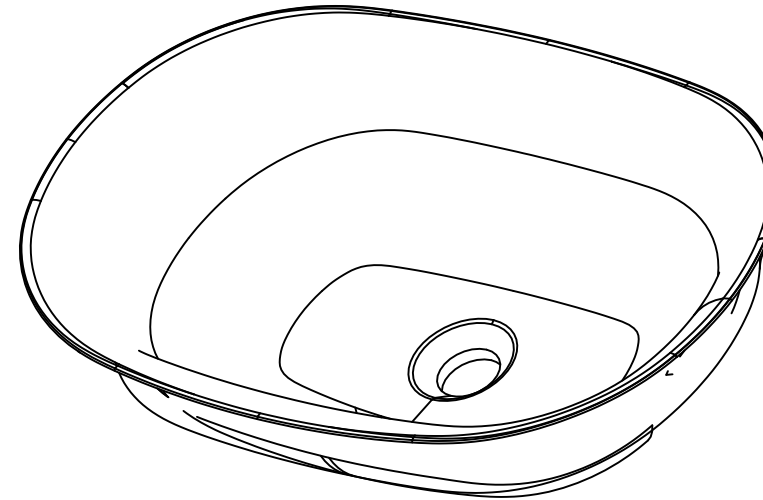
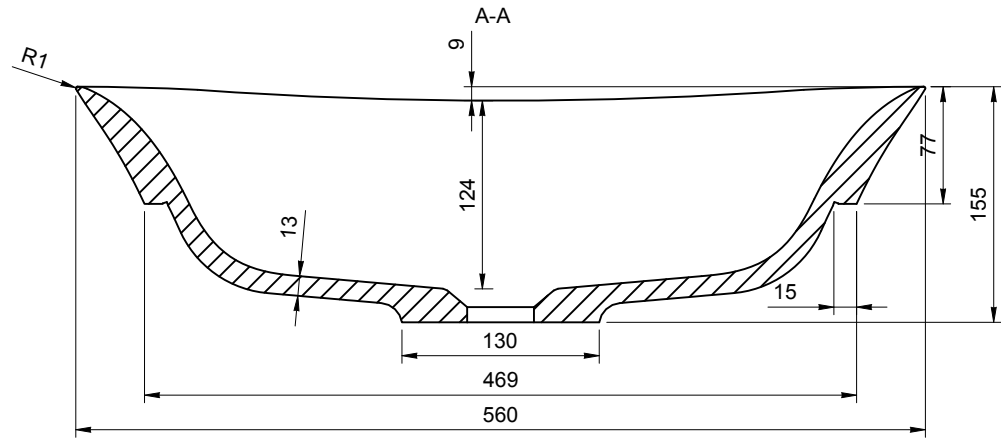


REV	DATE	DESCRIPTION	DRAWN	CHECKED
-	05/02/21	DRAWING CREATED	MF	MF



BOTTOM VIEW

TOLERANCE TOTAL	LENGTH	+3 / 0mm
	WIDTH	+2 / 0mm
	HEIGHT	+2 / -2mm
TOL. HEIGHT SIDE WALLS	≤ 25mm	+1 / -1mm
	> 25mm	+2 / -2mm
TOLERANCE HOLES LOCATION		+3 / -3mm
TOLERANCE HOLES DIAMETER		+1 / -1mm
TOLERANCE PLANE BENDING		+1.5 / -1.5mm

CREATED	DRAWN BY	CHECKED BY	DRAWING TITLE	DRAWING NO.	CURRENT REV.	VARIANT 1 - GLOSS FINISH	LAR-WB-GW	SHEET	SHEET SIZE	SCALE	SYMBOL
05/02/21	MF	MF	LARKIN BASIN	LAR-WB	-	VARIANT 1 - MATT FINISH	LAR-WB-MW	1/1	A3	1:5	⊕
OVERFLOW	WASTE	TAPHOLE	MAIN DIMENSIONS								
NO	REGULAR	0	560X 361 X 155								
NET WEIGHT	GROSS WEIGHT	BASIN VOLUME									
8kg	8.9kg	FULL = ***L OVERFLOW= ***L									



THE  
**LUXURY BATH**  
COMPANY