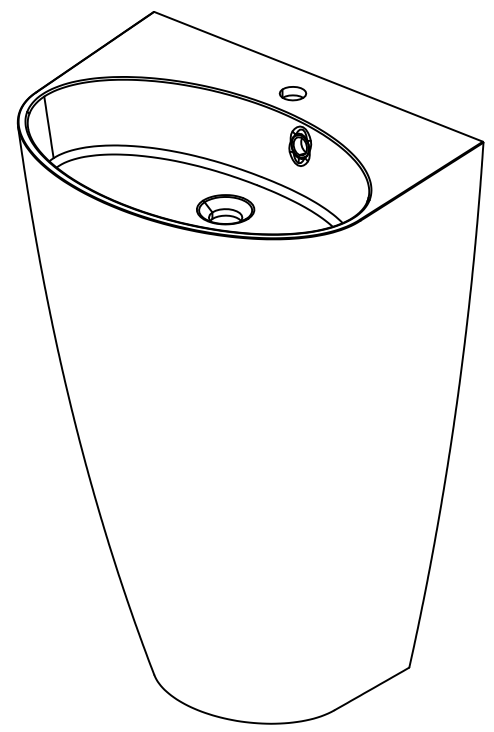
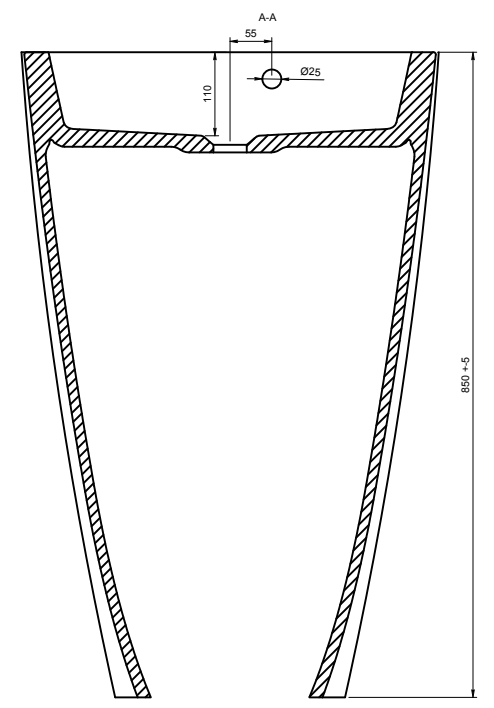
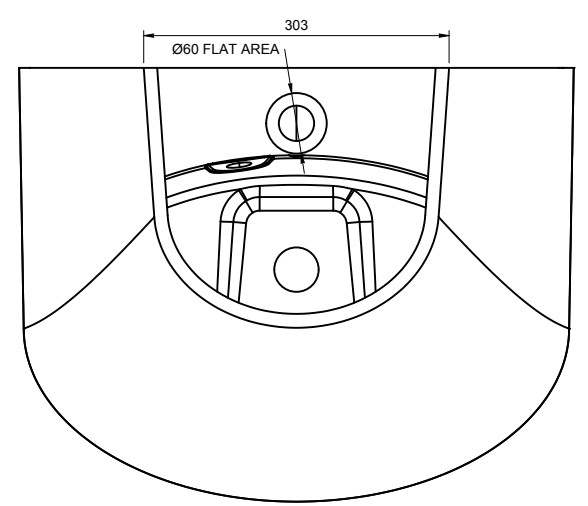
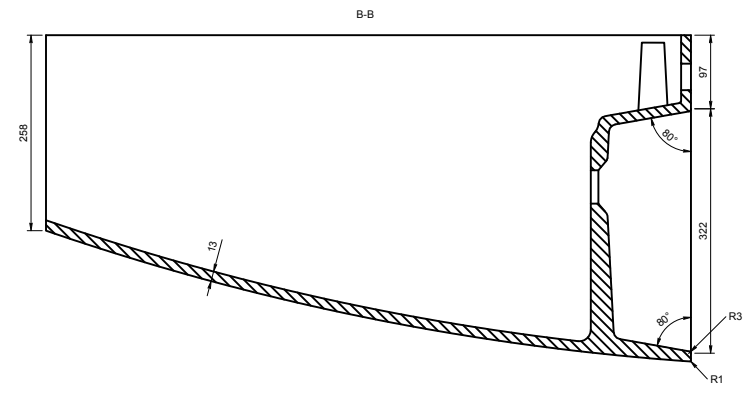
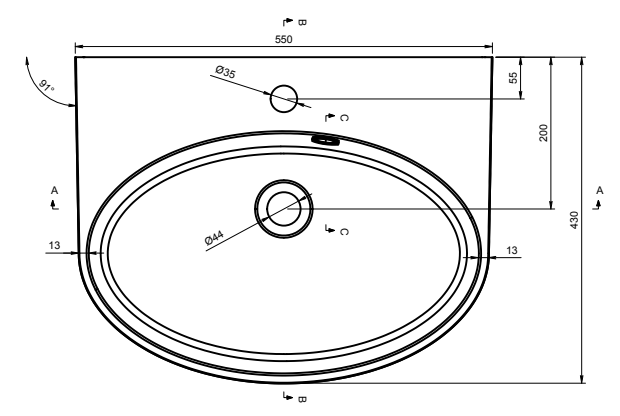
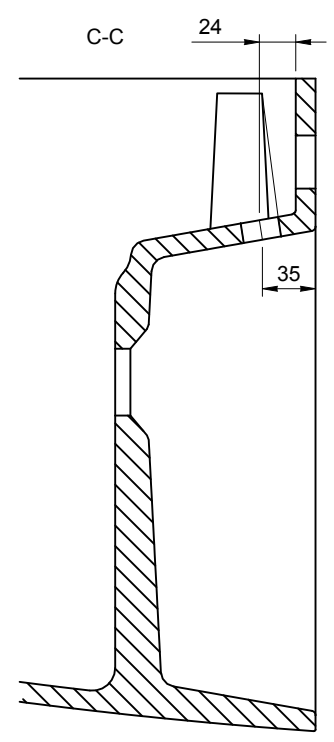


REV	DATE	DESCRIPTION	DRAWN	CHECKED
-	06/02/21	DRAWING CREATED	MF	MF



C-C SCALE 1:5



BOTTOM VIEW NOT TO SCALE

TOLERANCE TOTAL	LENGTH	+3 / 0mm
	WIDTH	+2 / 0mm
	HEIGHT	+2 / -2mm
TOL. HEIGHT SIDE WALLS	≤ 25mm	+1 / -1mm
	> 25mm	+2 / -2mm
TOLERANCE HOLES LOCATION		+3 / -3mm
TOLERANCE HOLES DIAMETER		+1 / -1mm
TOLERANCE PLANE BENDING		+1.5 / -1.5mm

CREATED	DRAWN BY	CHECKED BY	DRAWING TITLE	DRAWING No.	CURRENT REV.	VARIANT 1 - GLOSS FINISH	MAR-WB-FS-GW	SHEET	SHEET SIZE	SCALE	
06/02/21	MF	MF	MARLOW FS BASIN	MAR-WB-FS	-	VARIANT 1 - MATT FINISH	MAR-WB-FS-MW	1/1	A3	1:10	
				THE LUXURY BATH COMPANY		OVERFLOW	WASTE	TAP/HOLE	MAIN DIMENSIONS		
						YES	REGULAR	1	550 X 430 X 850		
				NET WEIGHT	GROSS WEIGHT	BASKIN VOLUME		FULL = ***L OVERFLOW= ***L			
				28.2kg	31kg						