

REV	DATE	DESCRIPTION	DRAWN	CHECKED
-	27/01/21	DRAWING CREATED	MF	MF

A-A A-A SCALE 1:2

420

R1

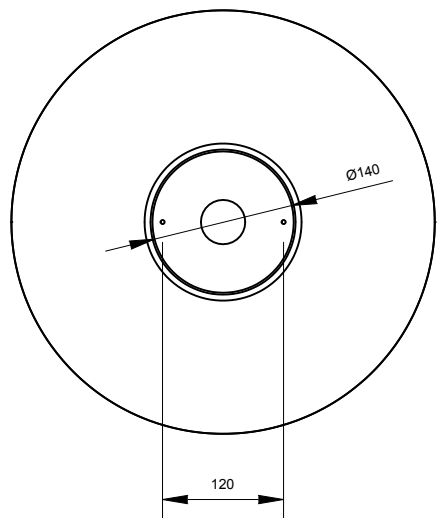
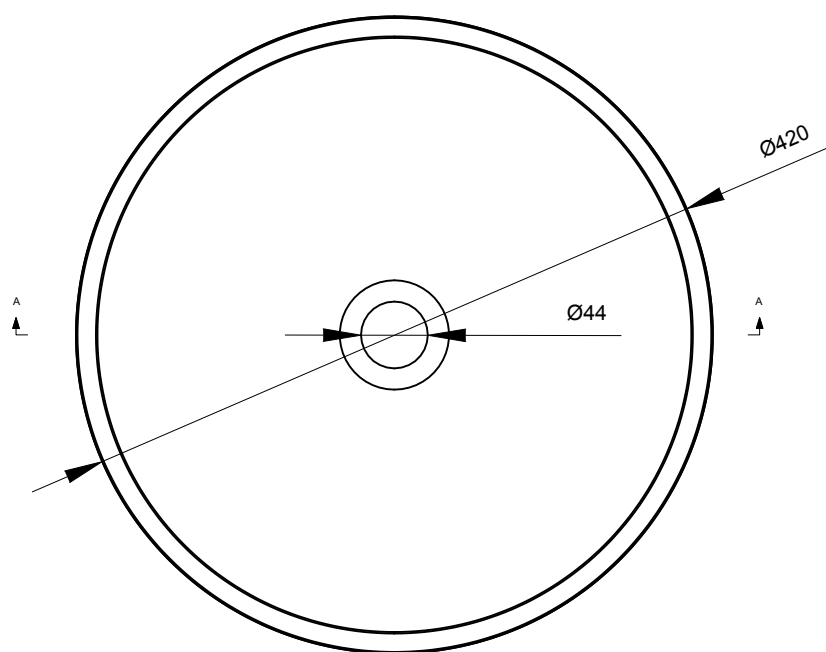
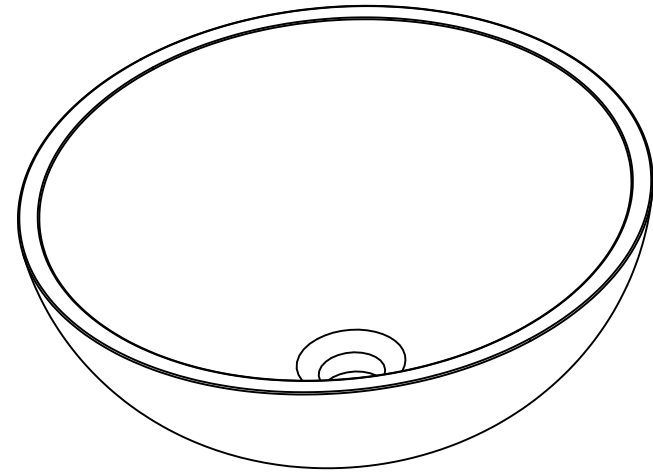
73

136

160

15

Diameter 4mm



BOTTOM VIEW NOT TO SCALE

TOLERANCE TOTAL	LENGTH	+3 / 0mm
	WIDTH	+2 / 0mm
	HEIGHT	+2 / -2mm
TOL. HEIGHT SIDE WALLS	≤ 25mm	+1 / -1mm
	> 25mm	+2 / -2mm
TOLERANCE HOLES LOCATION		+3 / -3mm
TOLERANCE HOLES DIAMETER		+1 / -1mm
TOLERANCE PLANE BENDING		+1.5 / -1.5mm

CREATED	DRAWN BY	CHECKED BY	DRAWING TITLE	DRAWING No.	CURRENT REV.	VARIANT 1 - GLOSS FINISH	SHE-WB-GW	SHEET	SHEET SIZE	SCALE	
27/01/21	MF	MF	SHERINGHAM BASIN	SHE-WB	-	VARIANT 1 - MATT FINISH	SHE-WB-MW	1/1	A3	1:5	
						OVERFLOW	WASTE	TAPHOLE	MAIN DIMENSIONS		
						NO	REGULAR	0	420X 420 X 160		
						NET WEIGHT	GROSS WEIGHT	BASIN VOLUME			
						5kg	6.5kg	FULL = ***L OVERFLOW= ***L			