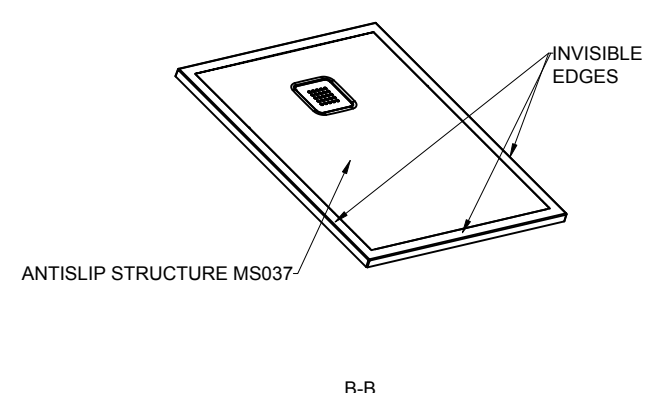
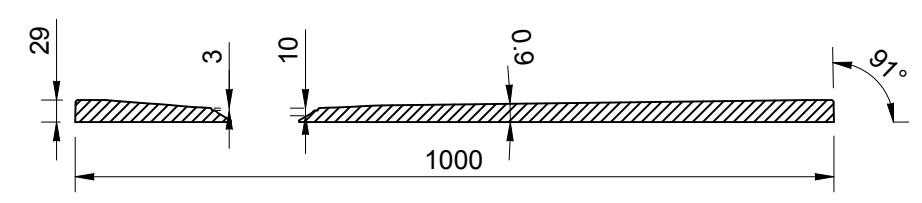
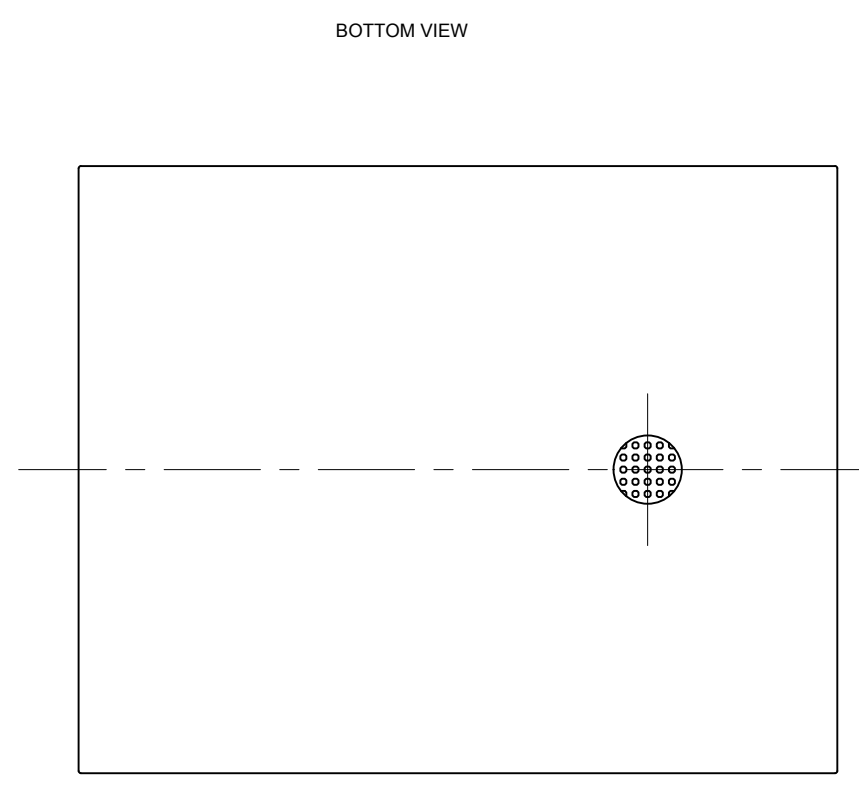
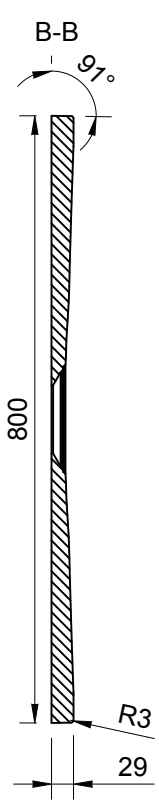
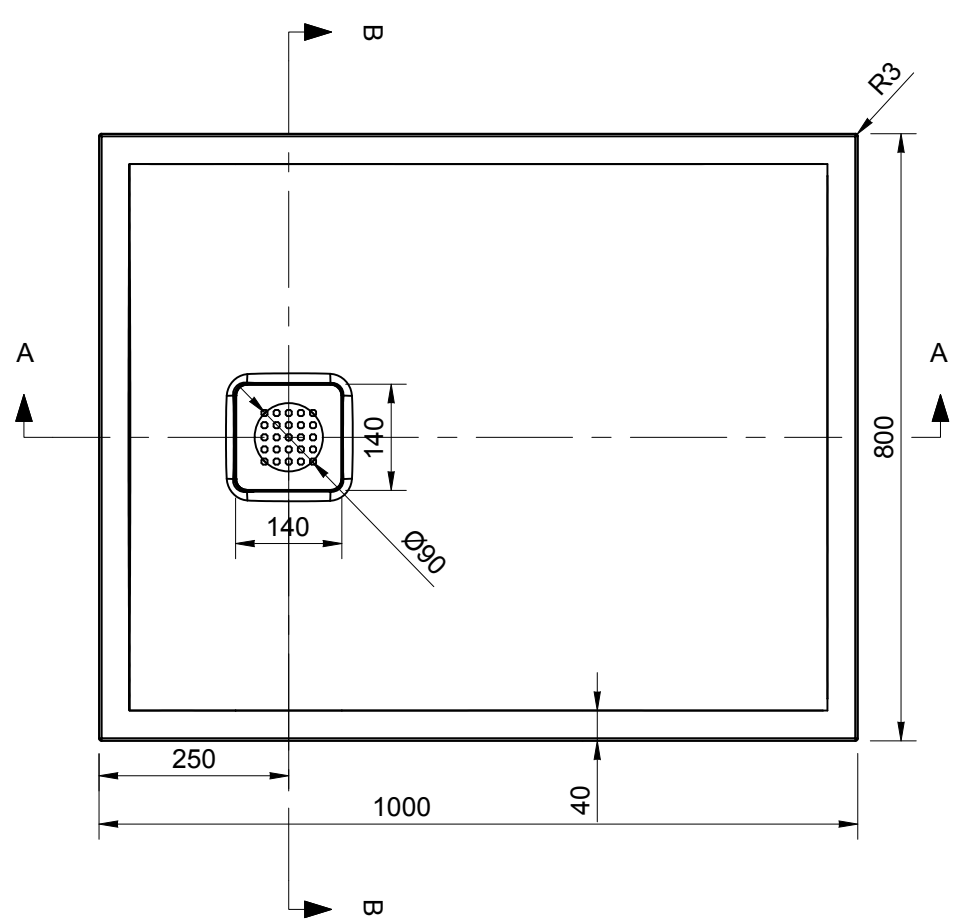


REV	DATE	DESCRIPTION	DRAWN	CHECKED
-	17/02/21	DRAWING CREATED	MF	MF



TOLERANCE LENGTH / WIDTH		+5/0mm		CREATED	DRAWN BY	CHECKED BY	DRAWING TITLE	DRAWING No.	CURRENT REV	SHEET	SHEET SIZE	SCALE		
TOLERANCE HEIGHT		+2/-2mm		17/02/21	MF	MF	HOCKNEY 1000 X 800 SHOWER TRAY	HOC-ST-10X8	-	1/1	A3	1:10		
TOL. PLANE BENDING	≤ 1200mm	+2 / -2mm												
	> 1200mm	+3 / -3mm												
TOLERANCE THICKNESS		+2 / -2mm												
TOLERANCE FEET LOCATION		+7 / -7mm												
TOLERANCE HOLE LOCATION		+2 / -2mm												
TOLERANCE HOLE DIAMETER		+1 / -1mm												
OVERFLOW		NO												WASTE COVER
NET WEIGHT		39.61kg		GROSS WEIGHT		43.57kg		1000 X 800 X 29						

THE LUXURY BATH COMPANY

