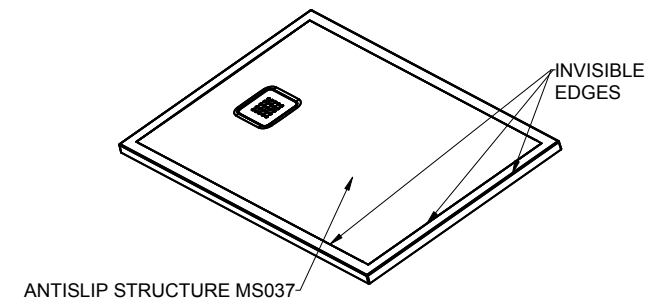
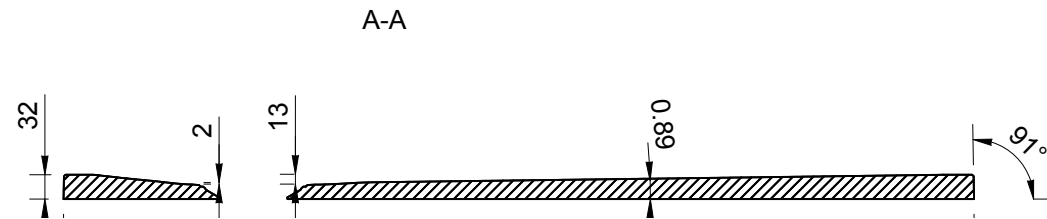
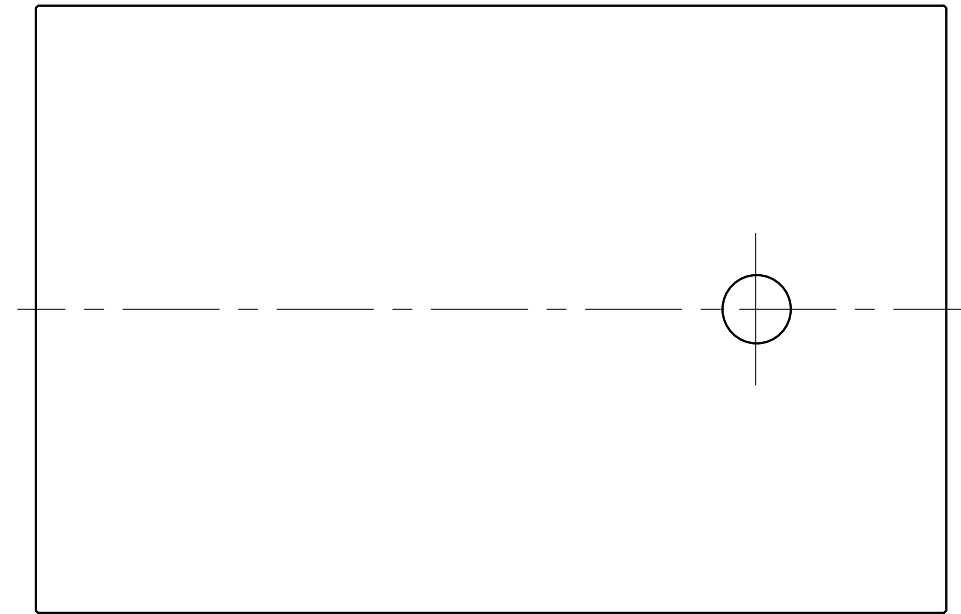
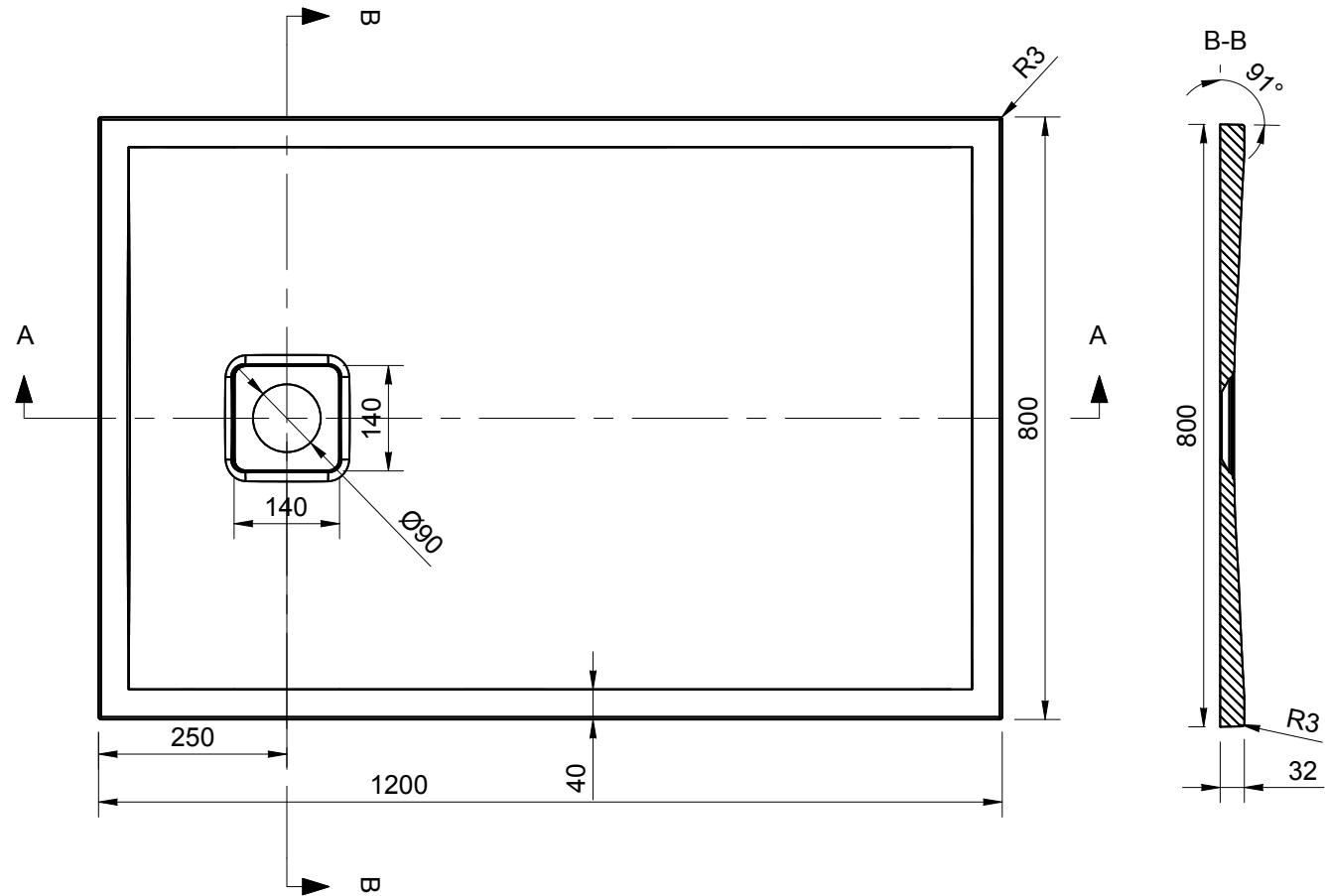


REV	DATE	DESCRIPTION	DRAWN	CHECKED
-	17/02/21	DRAWING CREATED	MF	MF

BOTTOM VIEW



B-B

TOLERANCE LENGTH / WIDTH	+5/0mm	CREATED	17/02/21	DRAWN BY	MF	CHECKED BY	MF	DRAWING TITLE	HOCKNEY 1200 X 800 SHOWER TRAY	DRAWING NO.	HOC-ST-12X8	CURRENT REV	-	SHEET	1/1	SHEET SIZE	A3	SCALE	1:10	
TOLERANCE HEIGHT	+2/-2mm																			
TOL. PLANE BENDING	≤ 1200mm	+2 / -2mm																		
	> 1200mm	+3 / -3mm																		
TOLERANCE THICKNESS	+2 / -2mm																			
TOLERANCE FEET LOCATION	+7 / -7mm																			
TOLERANCE HOLE OCATION	+2 / -2mm																			
TOLERANCE HOLE DIAMETER	+1 / -1mm																			
										OVERFLOW	NO	WASTE COVER	0	TAPHOLE	0	MAIN DIMENSIONS	1200 X 800 X 32			
										NET WEIGHT	51.2kg	GROSS WEIGHT	56kg							



THE LUXURY BATH COMPANY

OVERFLOW: NO, WASTE COVER: 0, TAPHOLE: 0, MAIN DIMENSIONS: 1200 X 800 X 32

NET WEIGHT: 51.2kg, GROSS WEIGHT: 56kg