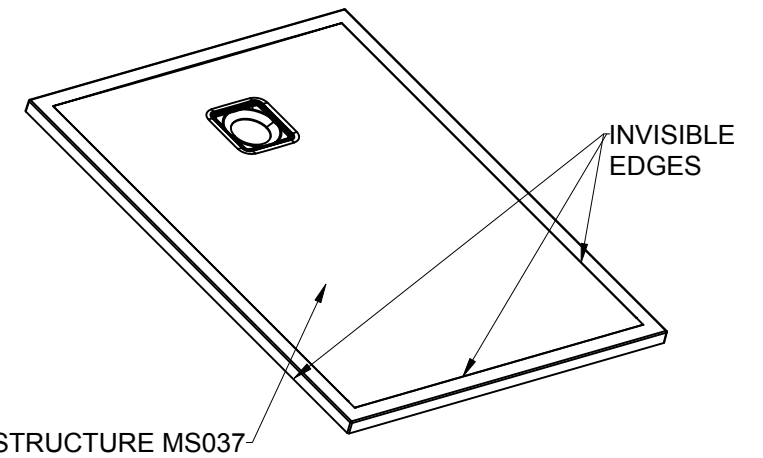
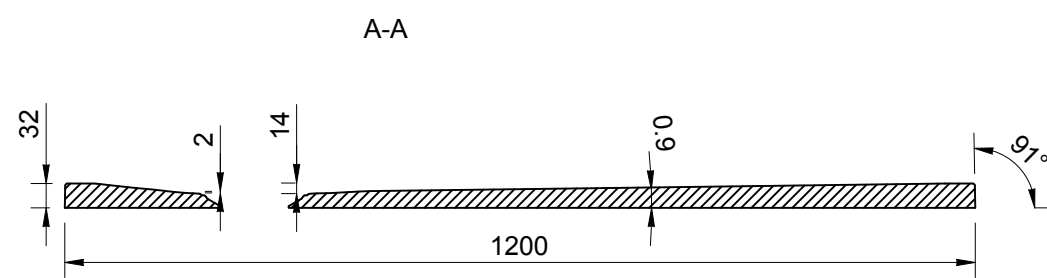
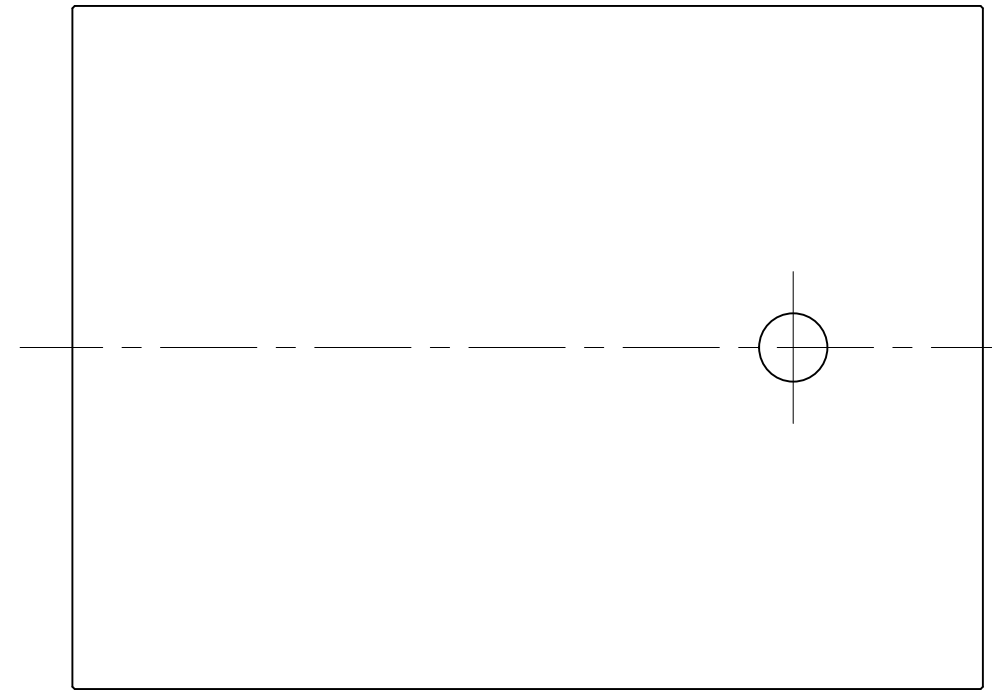
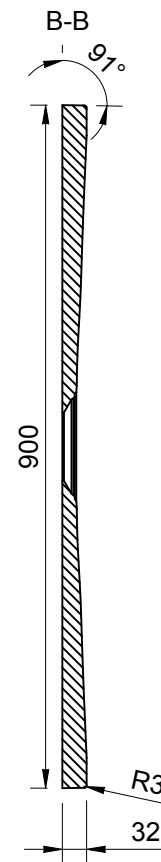
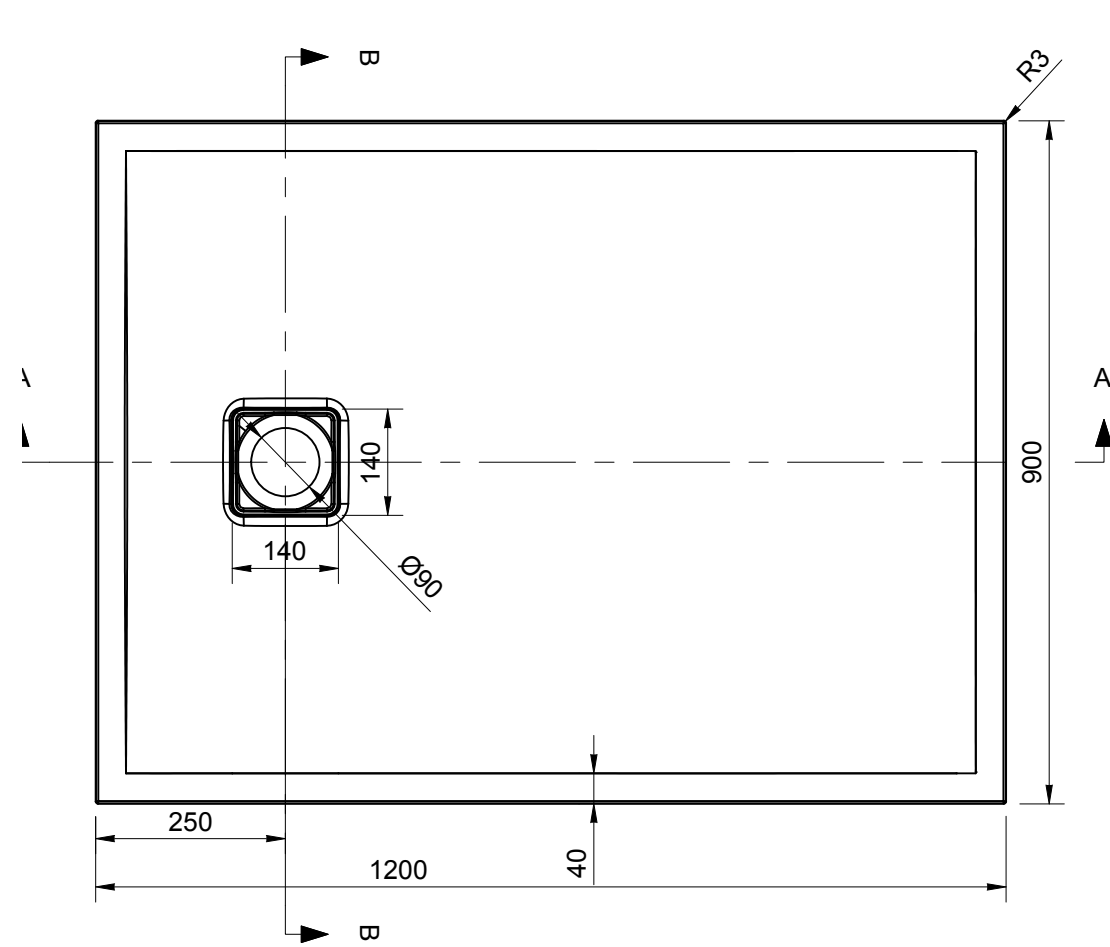


REV	DATE	DESCRIPTION	DRAWN	CHECKED
-	17/02/21	DRAWING CREATED	MF	MF

BOTTOM VIEW



NOTES - STEEL PLATE - SEE DRAWING 103300000054

TOLERANCE LENGTH / WIDTH	+5/0mm	CREATED	DRAWN BY	CHECKED BY	DRAWING TITLE	DRAWING No.	CURRENT REV	SHEET	SHEET SIZE	SCALE	
TOLERANCE HEIGHT	+2/-2mm		MF	MF	HOCKNEY 1200 X 900 SHOWER TRAY	HOC-ST-12X9	-	1/1	A3	1:10	
TOL. PLANE BENDING	≤ 1200mm > 1200mm	+2 / -2mm +3 / -3mm						OVERFLOW	WASTE	TAPHOLE	MAIN DIMENSIONS
TOLERANCE THICKNESS	+2 / -2mm	NO						COVER	0	1200 X 900 X 32	
TOLERANCE FEET LOCATION	+7 / -7mm	NET WEIGHT						GROSS WEIGHT			
TOLERANCE HOLE LOCATION	+2 / -2mm	55kg						61kg			
TOLERANCE HOLE DIAMETER	+1 / -1mm										