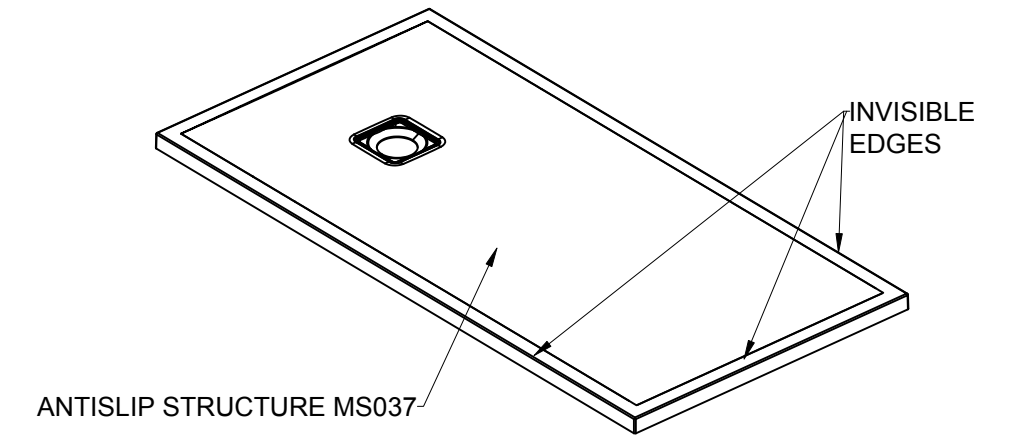
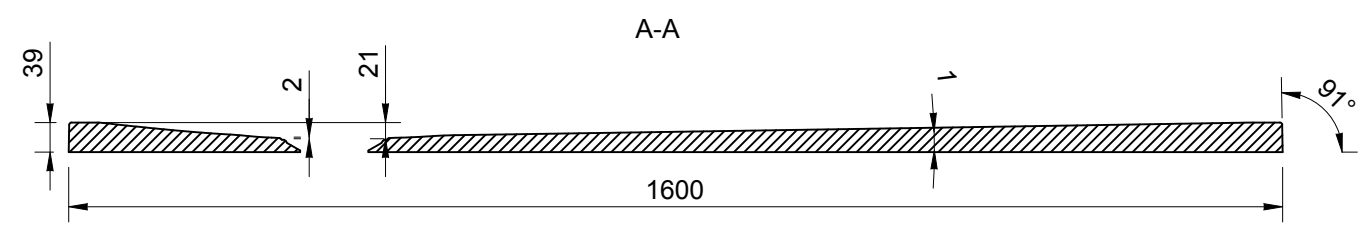
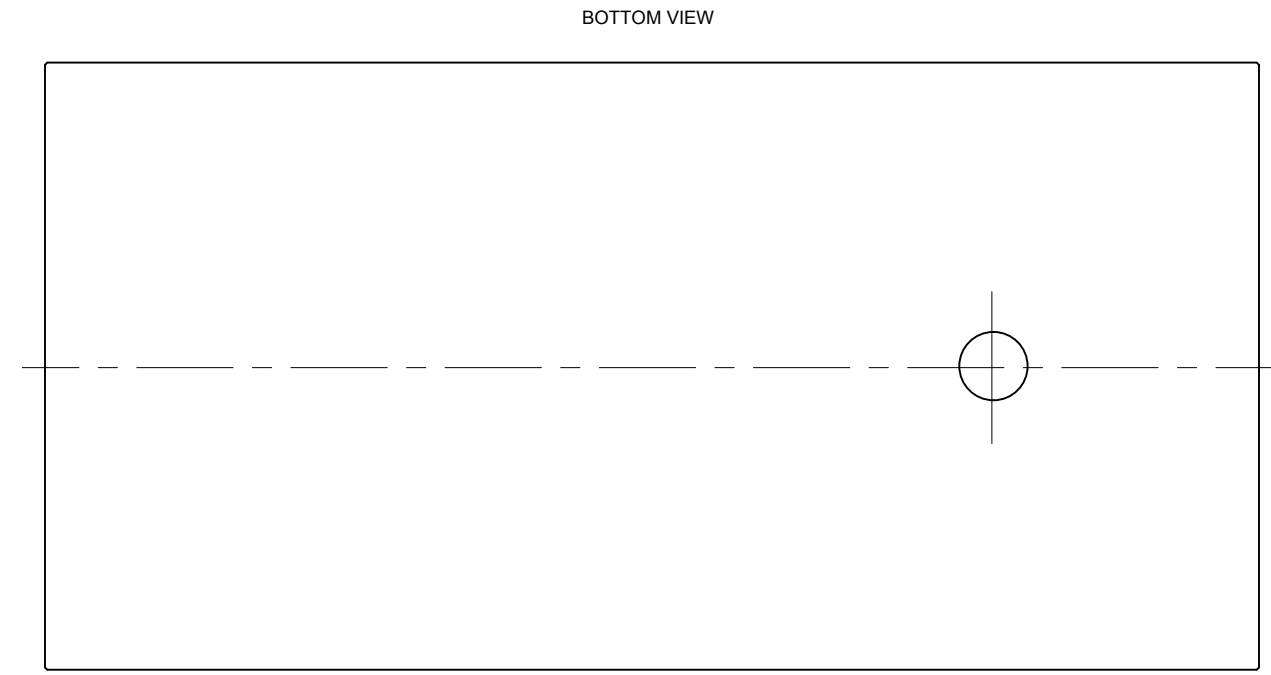
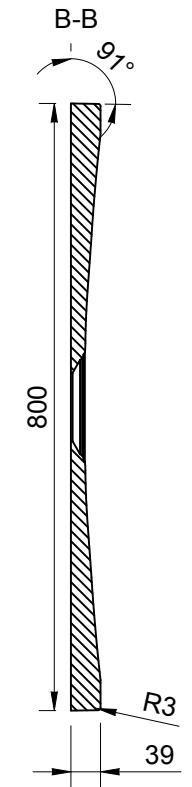
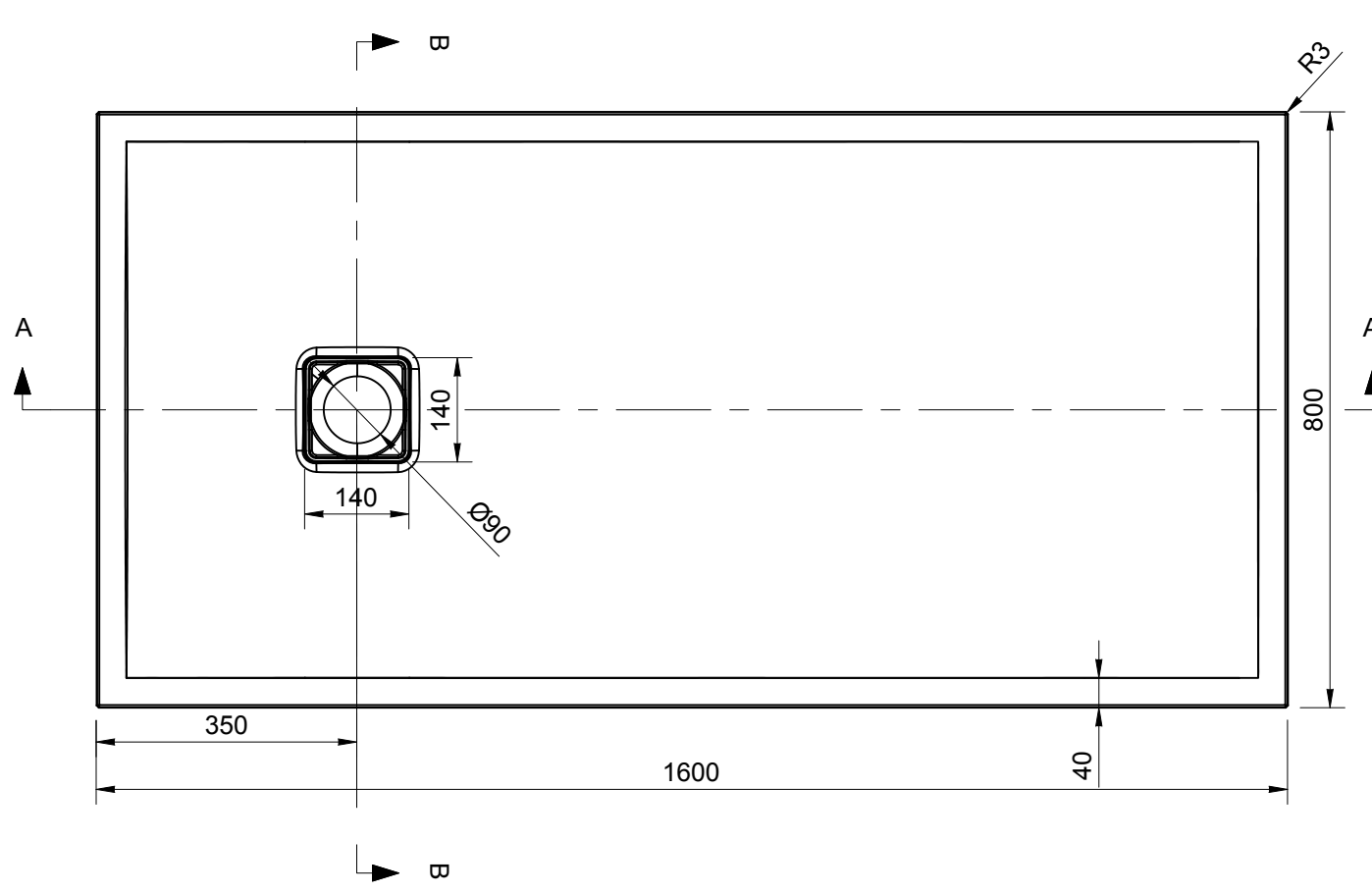


REV	DATE	DESCRIPTION	DRAWN	CHECKED
-	17/02/21	DRAWING CREATED	MF	MF



NOTE - STEEL PLATE - SEE DRAWING 103300000054

TOLERANCE LENGTH / WIDTH	+5/0mm	CREATED	17/02/21	DRAWN BY	MF	CHECKED BY	MF	DRAWING TITLE	HOCKNEY 1600 X 800 SHOWER TRAY	DRAWING No.	HOC-ST-16X8	CURRENT REV	-	SHEET	1/1	SHEET SIZE	A3	SCALE	1:10	
TOLERANCE HEIGHT	+2/-2mm																			
TOL. PLANE BENDING	≤ 1200mm	+2 / -2mm																		
	> 1200mm	+3 / -3mm																		
TOLERANCE THICKNESS	+2 / -2mm																			
TOLERANCE FEET LOCATION	+7 / -7mm																			
TOLERANCE HOLE LOCATION	+2 / -2mm																			
TOLERANCE HOLE DIAMETER	+1 / -1mm																			
										OVERFLOW	NO	WASTE COVER	0	TAP/HOLE	0	MAIN DIMENSIONS				1600 X 800 X 39
										NET WEIGHT	60kg	GROSS WEIGHT	66kg							



THE LUXURY BATH COMPANY