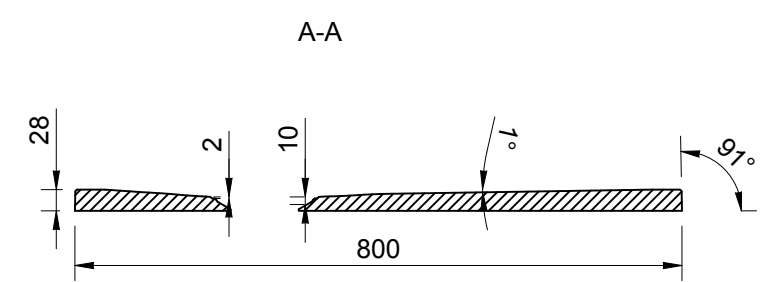
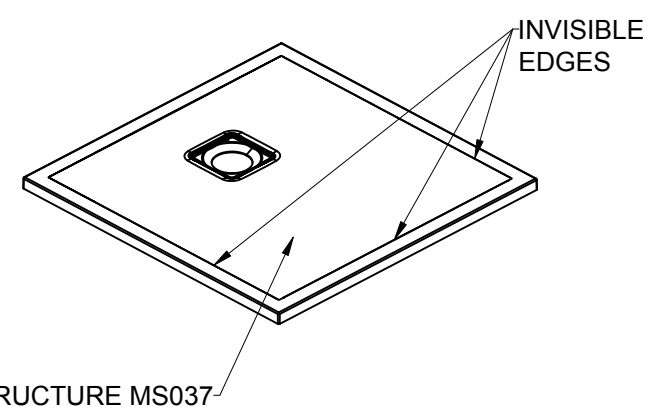
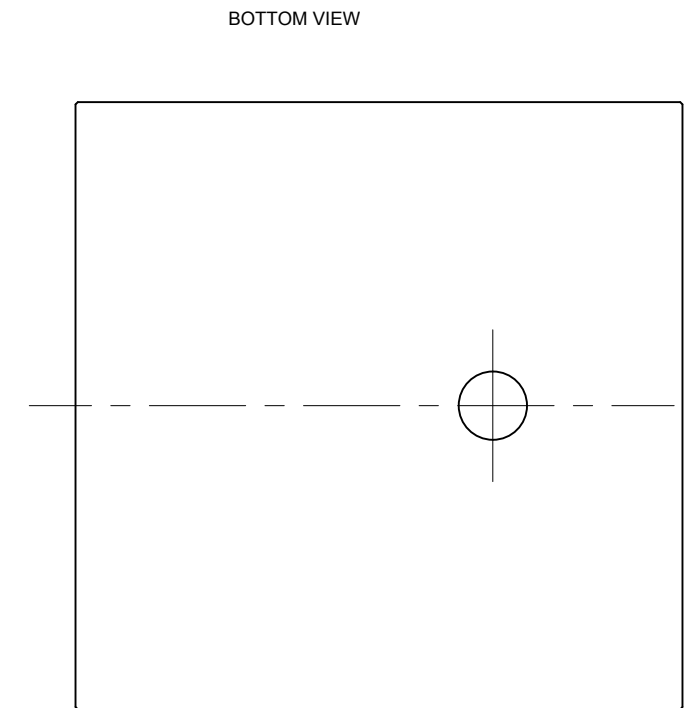
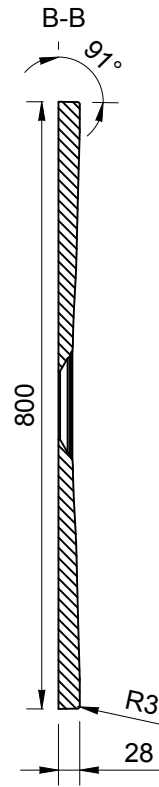
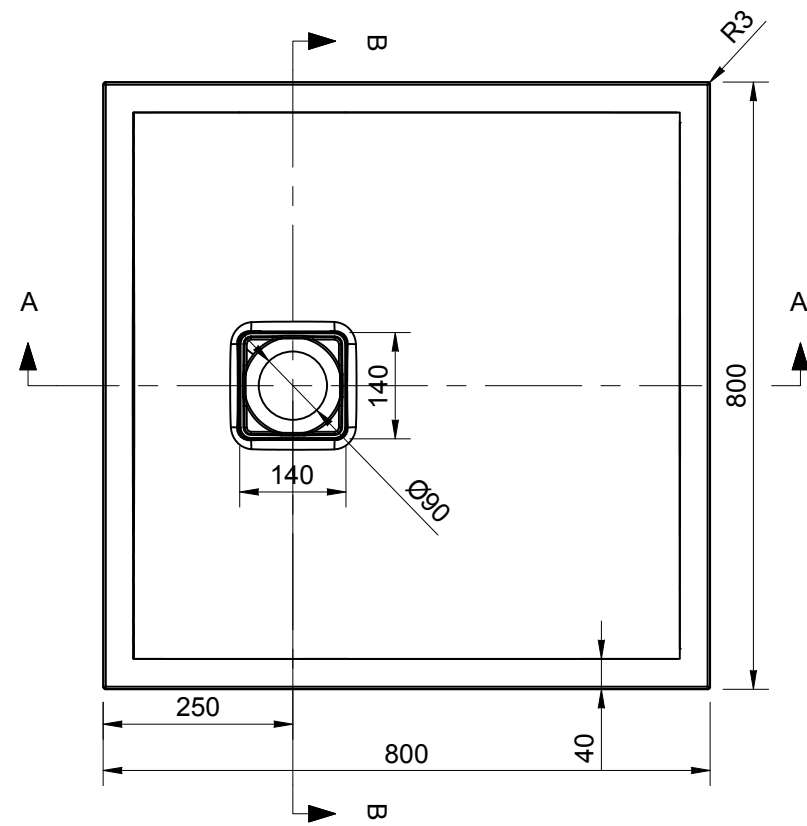


REV	DATE	DESCRIPTION	DRAWN	CHECKED
-	17/02/21	DRAWING CREATED	MF	MF



TOLERANCE LENGTH / WIDTH		+5/0mm	CREATED	DRAWN BY	CHECKED BY	DRAWING TITLE	DRAWING NO.	CURRENT REV.	SHEET	SHEET SIZE	SCALE		
TOLERANCE HEIGHT		+2/-2mm	17/02/21	MF	MF	HOCKNEY SHOWER TRAY 880 X 800	HOC-ST-8X8	-	1/1	A3	1:10		
TOL. PLANE BENDING	≤ 1200mm	+2 / -2mm											
	> 1200mm	+3 / -3mm											
TOLERANCE THICKNESS		+2 / -2mm											
TOLERANCE FEET LOCATION		+7 / -7mm											
TOLERANCE HOLE OCATION		+2 / -2mm											
TOLERANCE HOLE DIAMETER		+1 / -1mm											
OVERFLOW	WASTE	TAPHOLE											MAIN DIMENSIONS
NO	COVER	0	800 X 800 X 28										
NET WEIGHT	GROSS WEIGHT												
30.7kg	33.8kg												