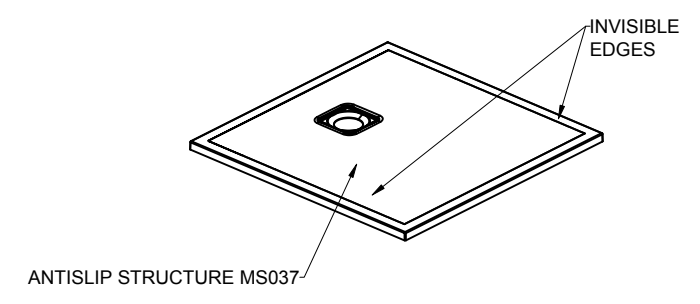
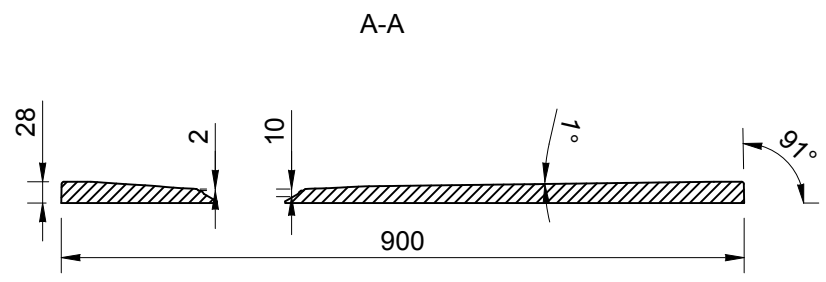
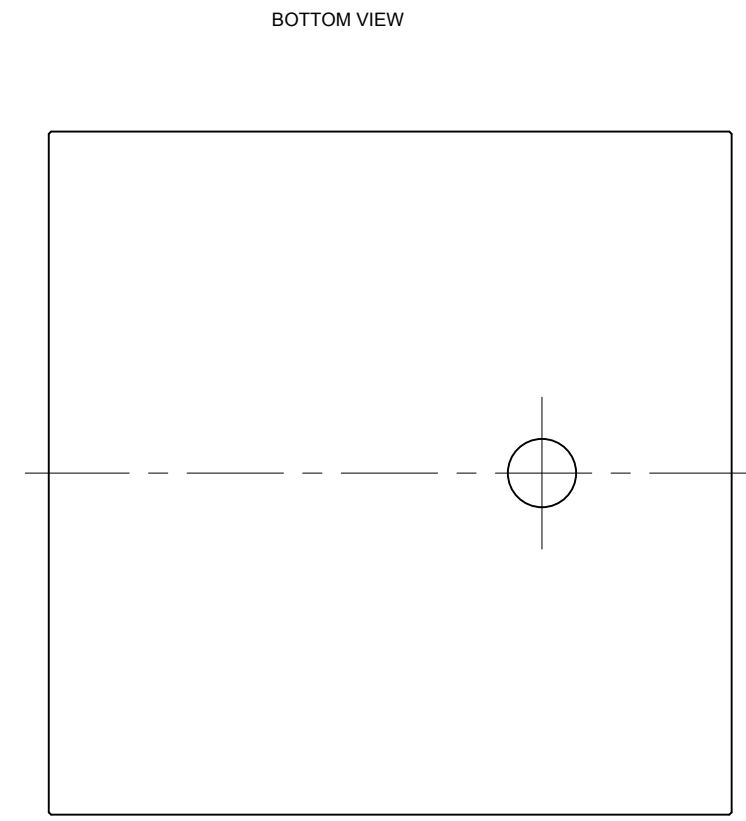
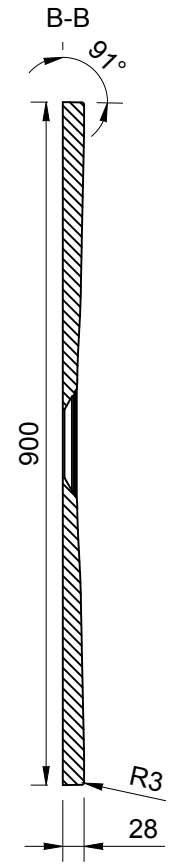
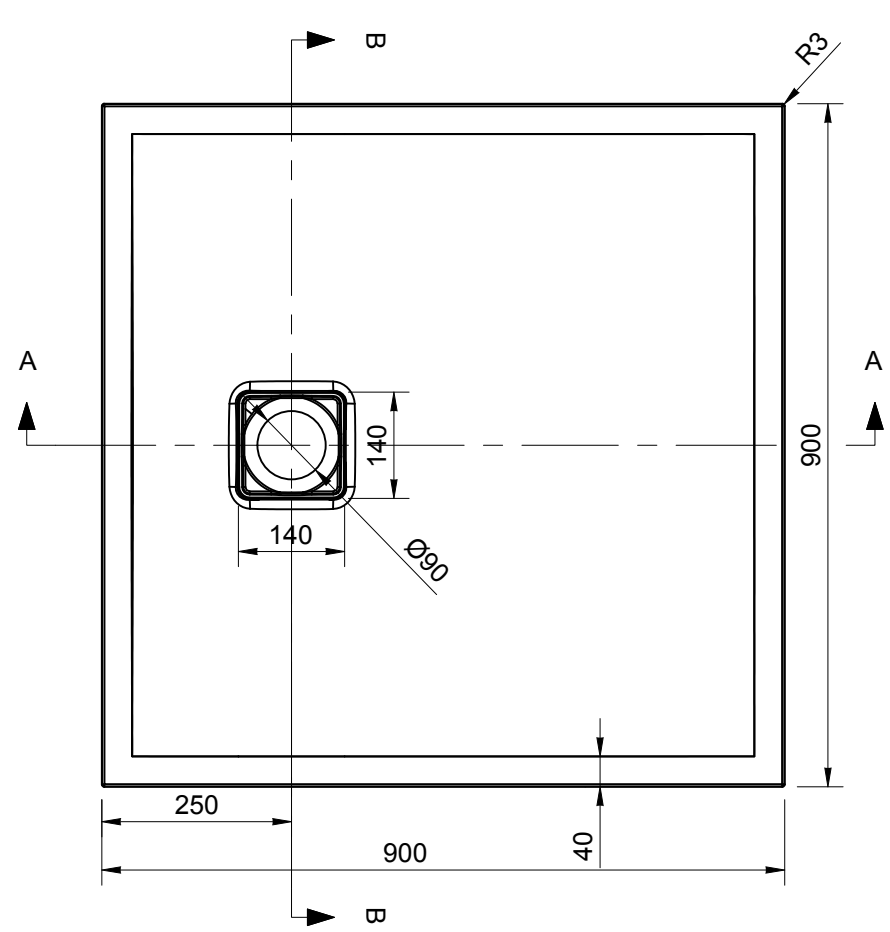




REV	DATE	DESCRIPTION	DRAWN	CHECKED
-	17/02/21	DRAWING CREATED	MF	MF



TOLERANCE LENGTH / WIDTH	+5/0mm	CREATED	DRAWN BY	CHECKED BY	DRAWING TITLE	DRAWING No.	CURRENT REV	SHEET	SHEET SIZE	SCALE	Symbol
TOLERANCE HEIGHT	+2/-2mm	17/02/21	MF	MF	HOCKNEY 900 X 900 SHOWER TRAY	HOC-ST-9X9	-	1/1	A3	1:10	⊕
TOL. PLANE BENDING	≤ 1200mm: +2 / -2mm > 1200mm: +3 / -3mm					OVERFLOW	WASTE	TAP/HOLE	MAIN DIMENSIONS		
TOLERANCE THICKNESS	+2 / -2mm					NO	COVER	0	900 X 900 X 28		
TOLERANCE FEET LOCATION	+7 / -7mm					NET WEIGHT	GROSS WEIGHT				
TOLERANCE HOLE LOCATION	+2 / -2mm					39.16kg	43.07kg				
TOLERANCE HOLE DIAMETER	+1 / -1mm										