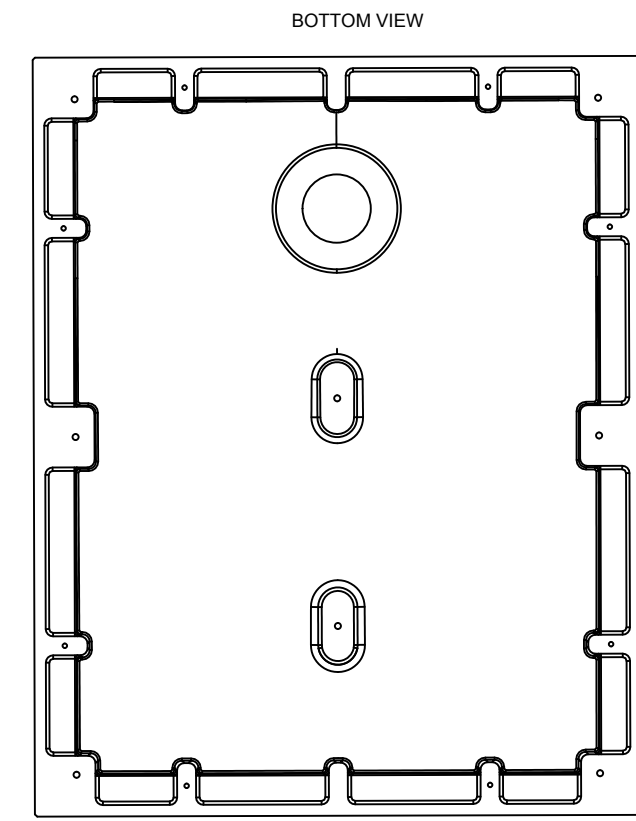
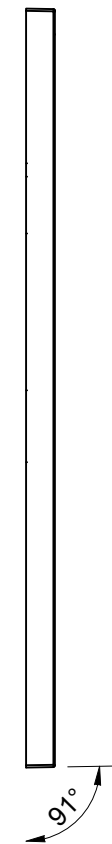
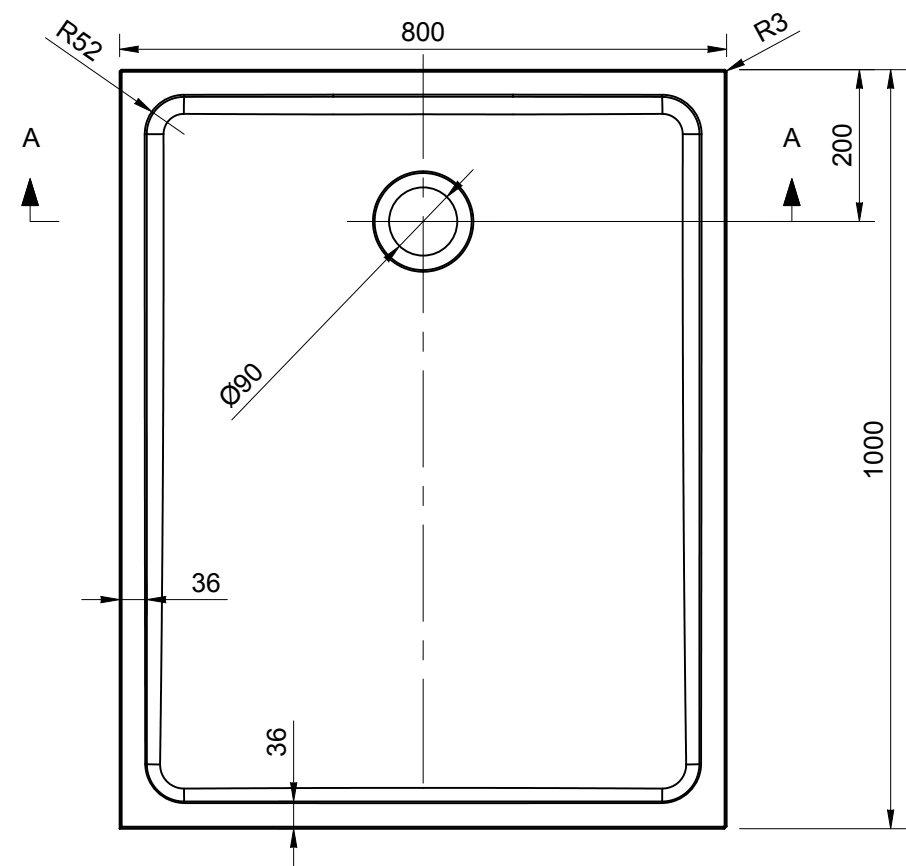
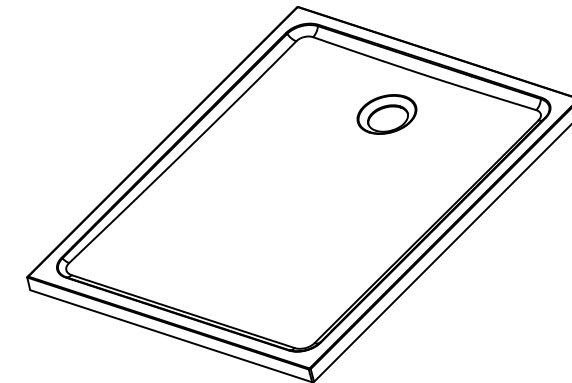
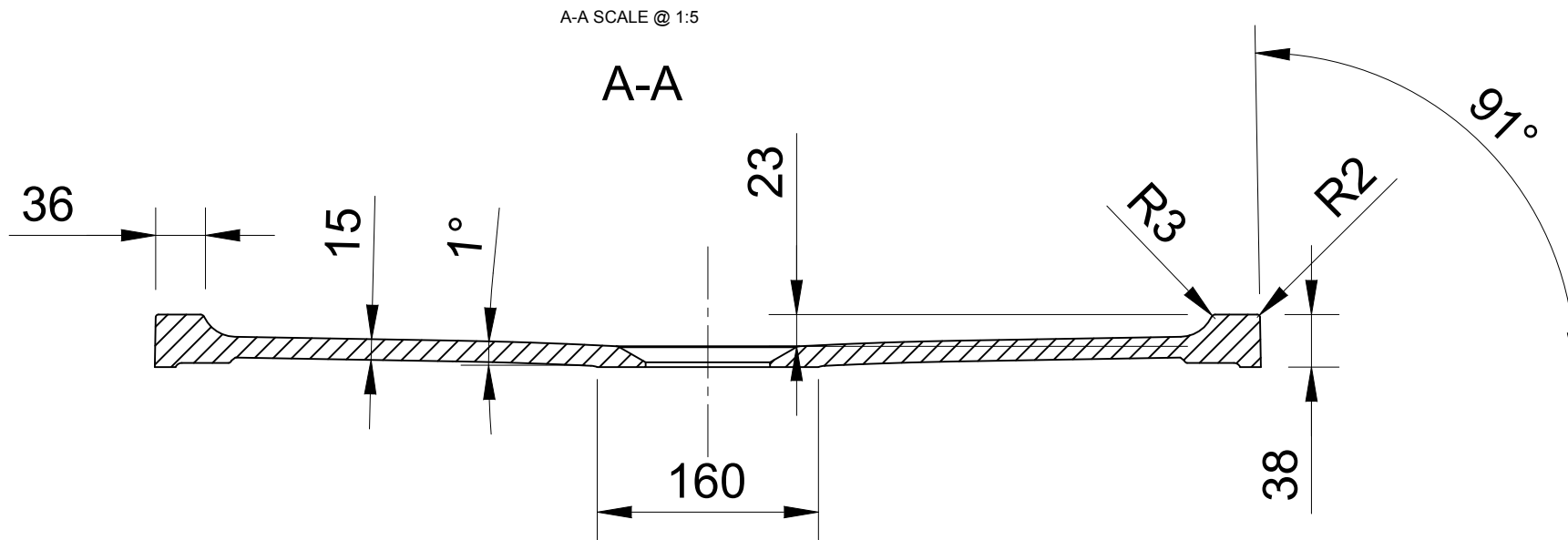


| REV | DATE | DESCRIPTION | DRAWN | CHECKED |
|-----|----------|-----------------|-------|---------|
| - | 17/02/21 | DRAWING CREATED | MF | MF |



| | |
|--------------------------|--|
| TOLERANCE LENGTH / WIDTH | +5/0mm |
| TOLERANCE HEIGHT | +2/-2mm |
| TOL. PLANE BENDING | ≤ 1200mm +2 / -2mm > 1200mm +3 / -3mm |
| TOLERANCE THICKNESS | +2 / -2mm |
| TOLERANCE FEET LOCATION | +7 / -7mm |
| TOLERANCE HOLE LOCATION | +2 / -2mm |
| TOLERANCE HOLE DIAMETER | +1 / -1mm |

| | | | | | | | | | |
|----------|----------|------------|------------------------------|-------------|--------------|----------|-----------------|-------|--|
| CREATED | DRAWN BY | CHECKED BY | DRAWING TITLE | DRAWING NO. | CURRENT REV. | SHEET | SHEET SIZE | SCALE | |
| 17/02/21 | MF | MF | LOWRY SHOWER TRAY 1000 X 800 | LOW-ST-10X8 | - | 1/1 | A3 | 1:10 | |
| | | | | OVERFLOW | WASTE | TAP/HOLE | MAIN DIMENSIONS | | |
| | | | | NO | REGULAR | 0 | 1000 X 800 X 38 | | |
| | | | | NET WEIGHT | GROSS WEIGHT | | | | |
| | | | | 29.34kg | 25.67kg | | | | |