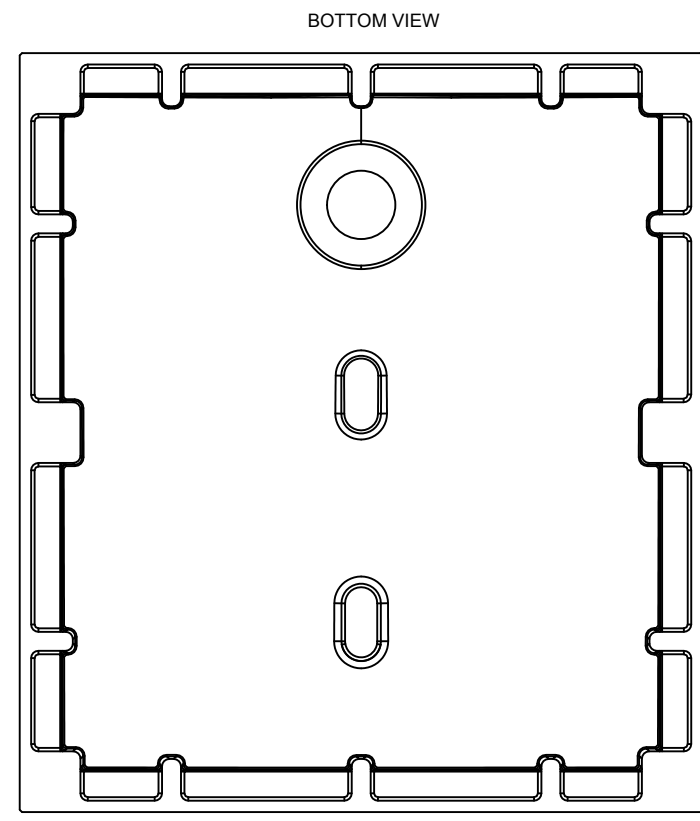
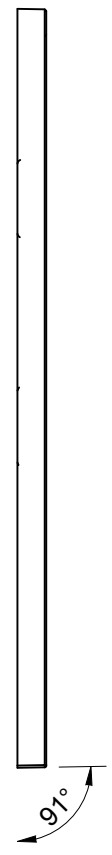
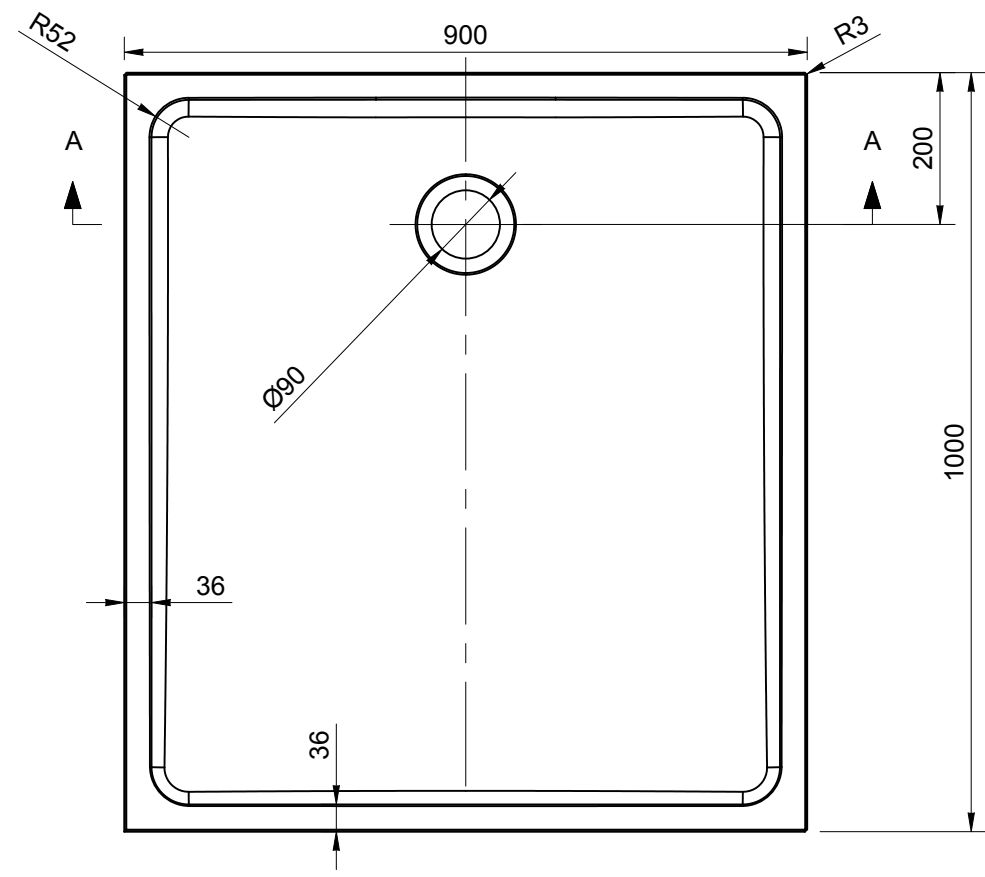
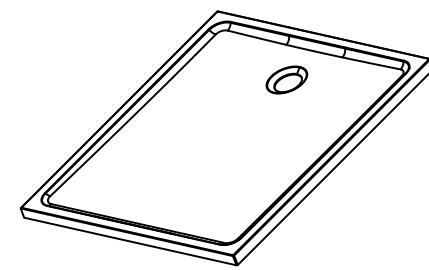
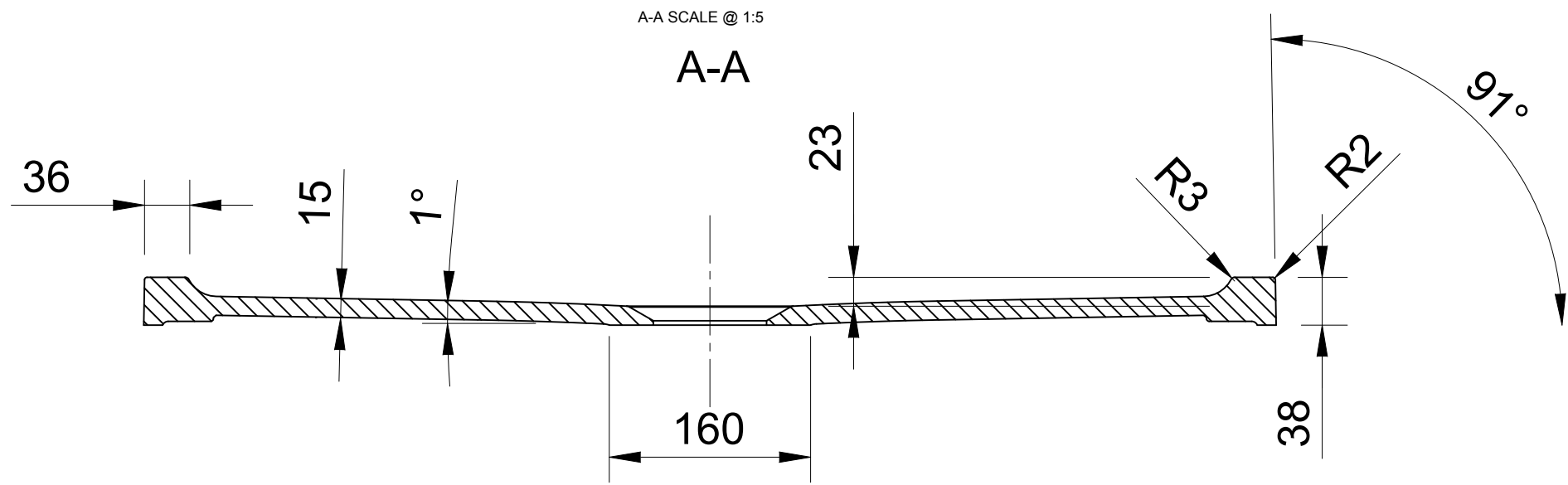


REV	DATE	DESCRIPTION	DRAWN	CHECKED
-	17/02/21	DRAWING CREATED	MF	MF



TOLERANCE LENGTH / WIDTH	+5/0mm	CREATED	17/02/21	DRAWN BY	MF	CHECKED BY	MF	DRAWING TITLE	LOWRY SHOWER TRAY 1000 X 900	DRAWING NO.	LOW-ST-10X9	CURRENT REV.	-	SHEET	1/1	SHEET SIZE	A3	SCALE	1:10	
TOLERANCE HEIGHT	+2/-2mm																			
TOL. PLANE BENDING	≤ 1200mm	+2 / -2mm																		
	> 1200mm	+3 / -3mm																		
TOLERANCE THICKNESS	+2 / -2mm																			
TOLERANCE FEET LOCATION	+7 / -7mm																			
TOLERANCE HOLE OCATION	+2 / -2mm																			
TOLERANCE HOLE DIAMETER	+1 / -1mm																			
											OVERFLOW	NO	WASTE COVER	0	TAPHOLE	0	MAIN DIMENSIONS	1000 X 900 X 38		
											NET WEIGHT	32.6kg	GROSS WEIGHT	34.88kg						