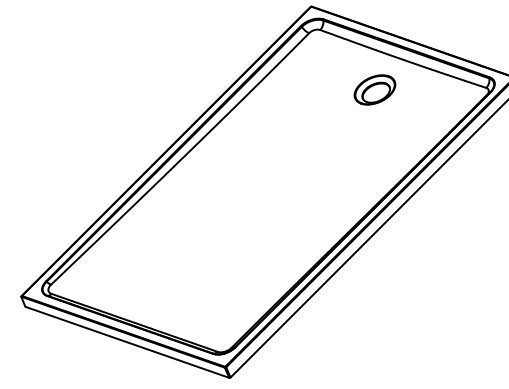
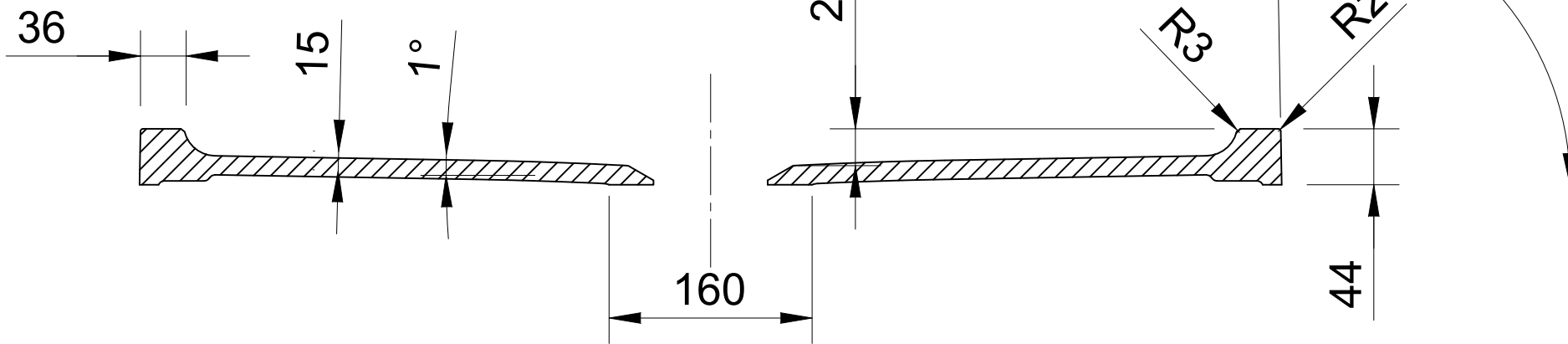


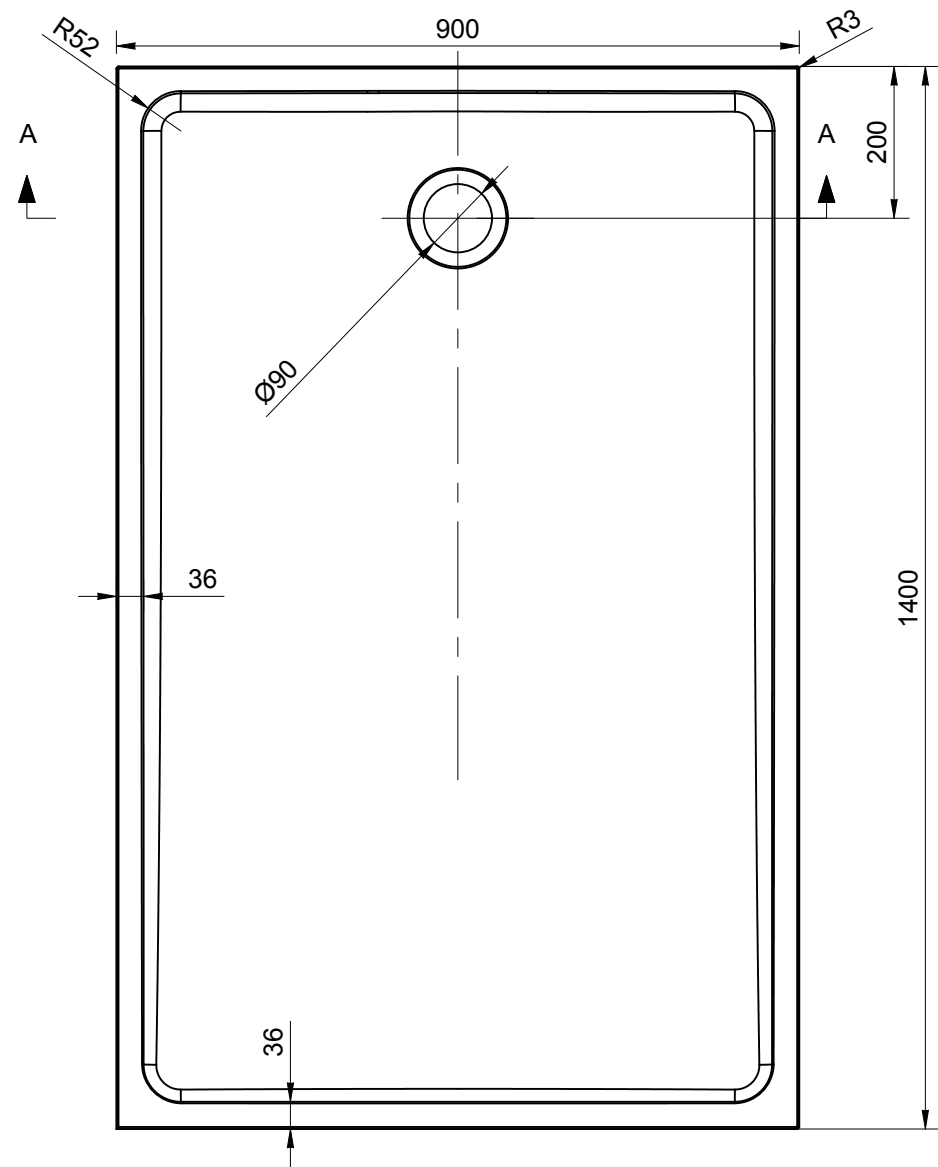
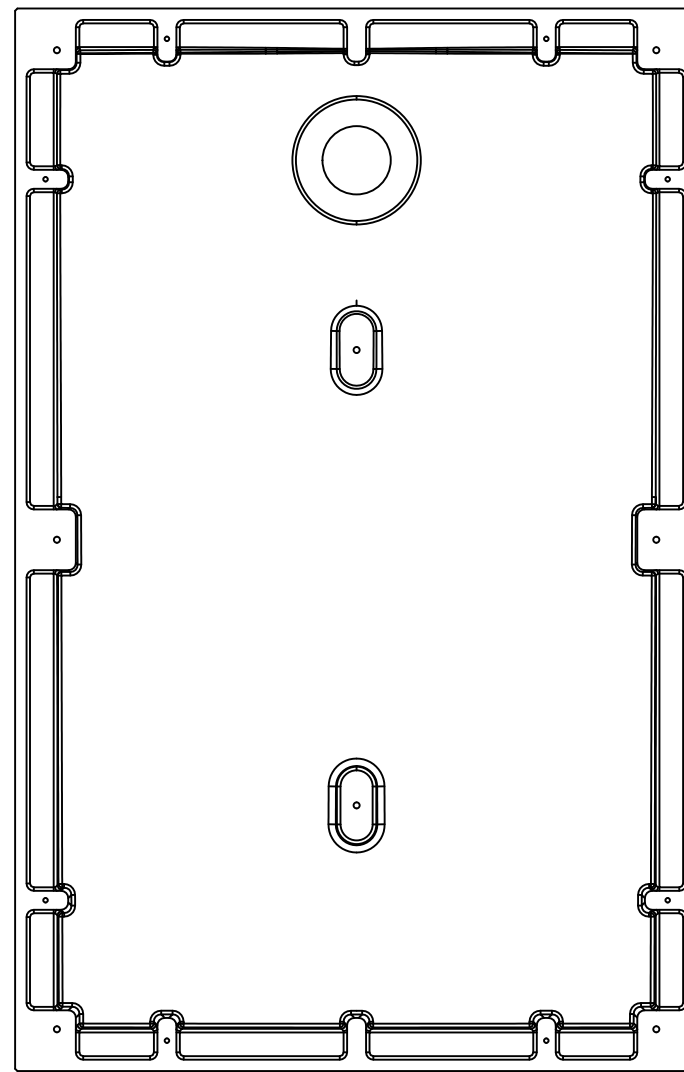
REV	DATE	DESCRIPTION	DRAWN	CHECKED
-	17/02/21	DRAWING CREATED	MF	MF

A-A SCALE @ 1:5

A-A



BOTTOM VIEW



TOLERANCE LENGTH / WIDTH	+5/0mm
TOLERANCE HEIGHT	+2/-2mm
TOL. PLANE BENDING	≤ 1200mm +2 / -2mm > 1200mm +3 / -3mm
TOLERANCE THICKNESS	+2 / -2mm
TOLERANCE FEET LOCATION	+7 / -7mm
TOLERANCE HOLE OCATION	+2 / -2mm
TOLERANCE HOLE DIAMETER	+1 / -1mm

CREATED	17/02/21	DRAWN BY	MF	CHECKED BY	MF	DRAWING TITLE	LOWRY SHOWER TRAY 1400 X 900	DRAWING NO.	LOW-ST-14X9	CURRENT REV.	-	SHEET	1/1	SHEET SIZE	A3	SCALE	1:10	
OVERFLOW	NO	WASTE	REGULAR	TAPHOLE	0	MAIN DIMENSIONS	1400 X 900 X 44	NET WEIGHT	46.85kg	GROSS WEIGHT	51.53kg							



THE LUXURY BATH COMPANY