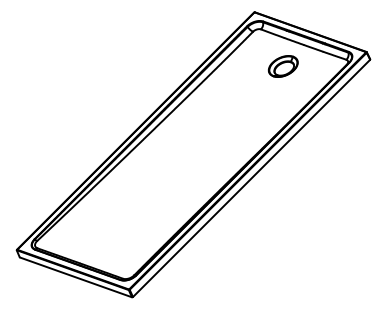
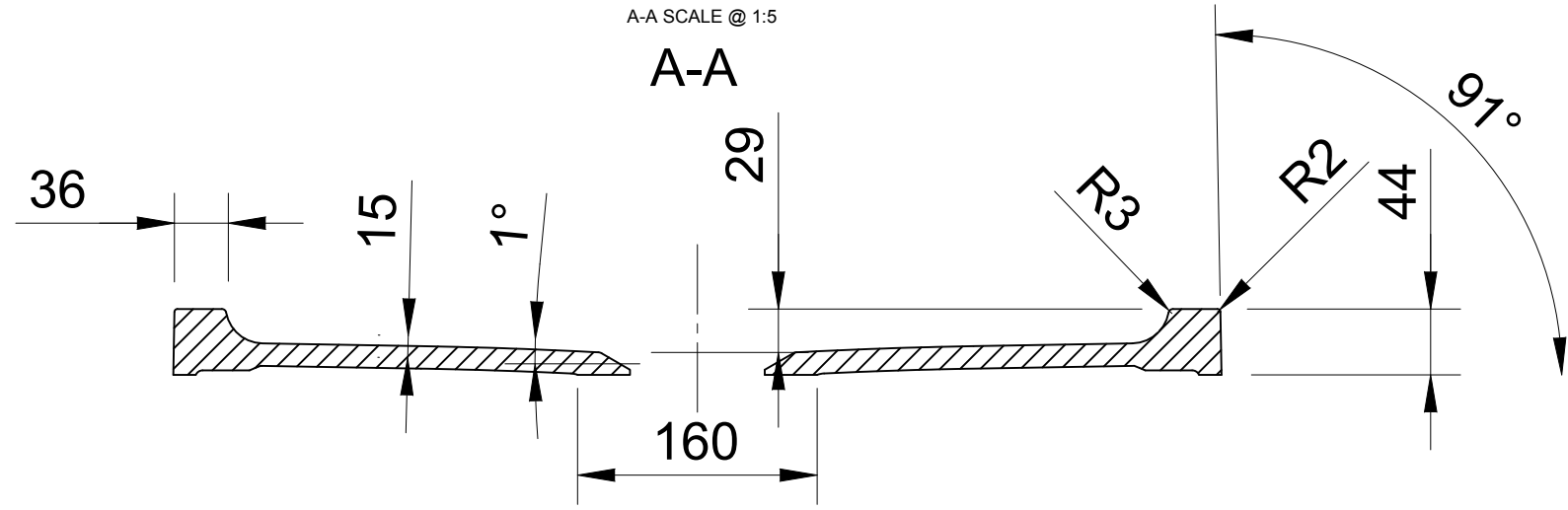


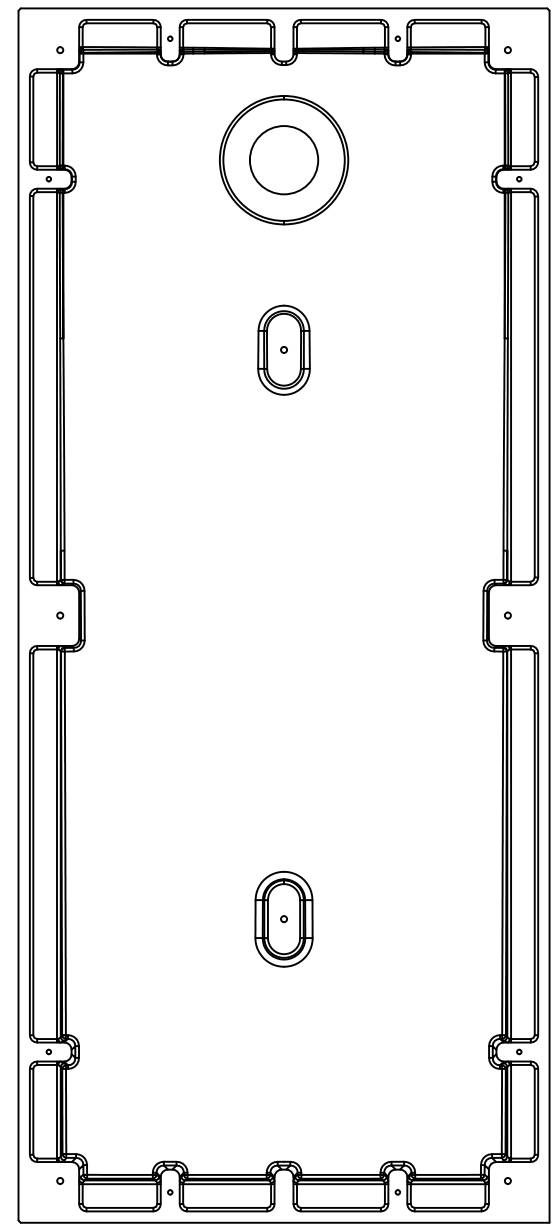
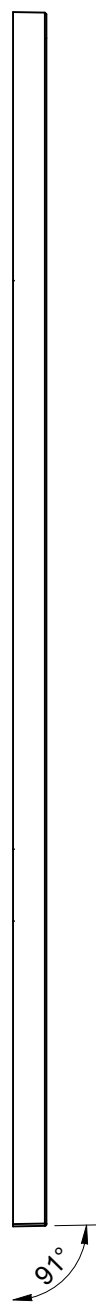
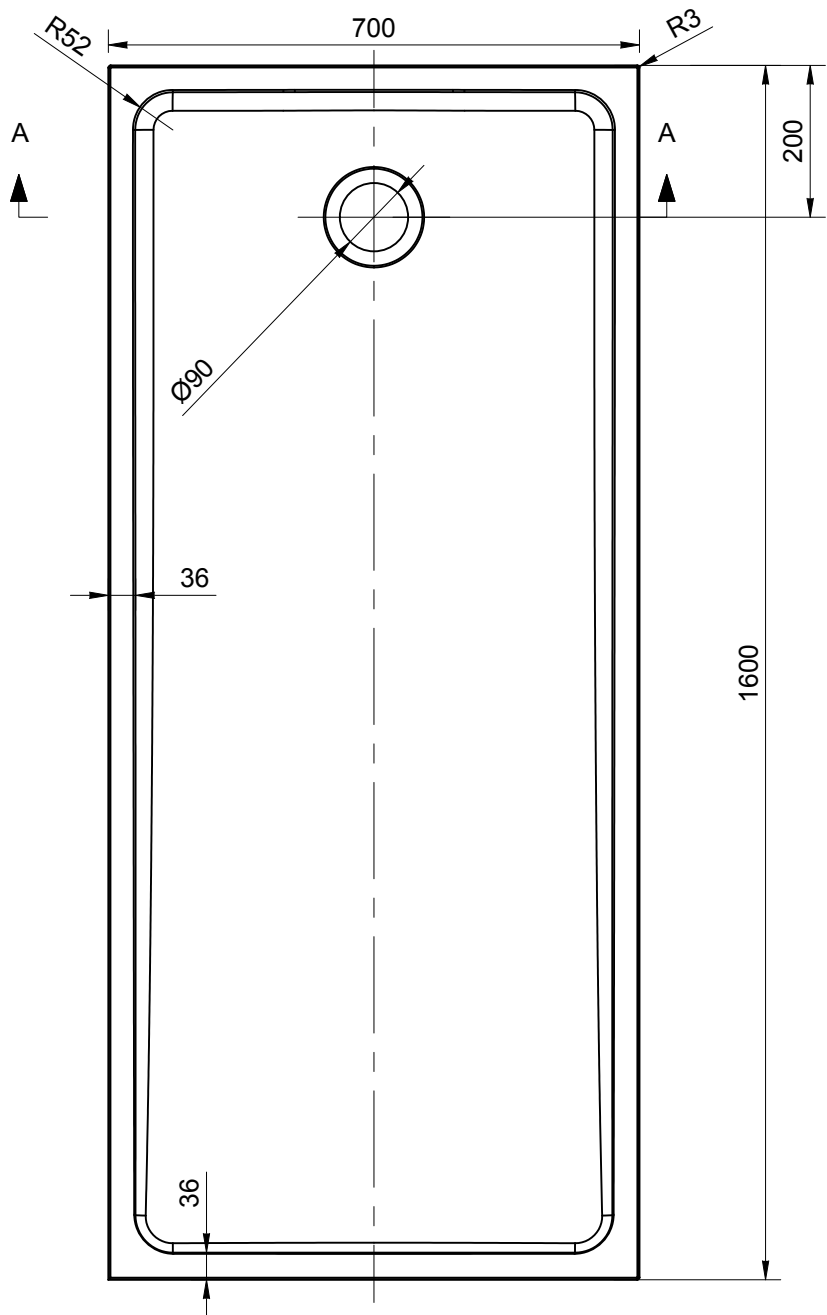
REV	DATE	DESCRIPTION	DRAWN	CHECKED
-	17/02/21	DRAWING CREATED	MF	MF

A-A SCALE @ 1:5

A-A



BOTTOM VIEW



TOLERANCE LENGTH / WIDTH	+5/0mm
TOLERANCE HEIGHT	+2/-2mm
TOL. PLANE BENDING	≤ 1200mm +2 / -2mm > 1200mm +3 / -3mm
TOLERANCE THICKNESS	+2 / -2mm
TOLERANCE FEET LOCATION	+7 / -7mm
TOLERANCE HOLE LOCATION	+2 / -2mm
TOLERANCE HOLE DIAMETER	+1 / -1mm

CREATED	DRAWN BY	CHECKED BY	DRAWING TITLE	DRAWING NO.	CURRENT REV.	SHEET	SHEET SIZE	SCALE	
17/02/21	MF	MF	LOWRY SHOWER TRAY 1600 X 700	LOW-ST-16X7	-	1/1	A3	1:10	
				OVERFLOW	WASTE	TAP/HOLE	MAIN DIMENSIONS		
				NO	REGULAR	0	1600 X 700 X 44		
				NET WEIGHT	GROSS WEIGHT				
				42.99g	47.28kg				