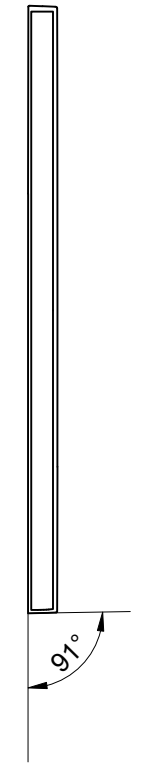
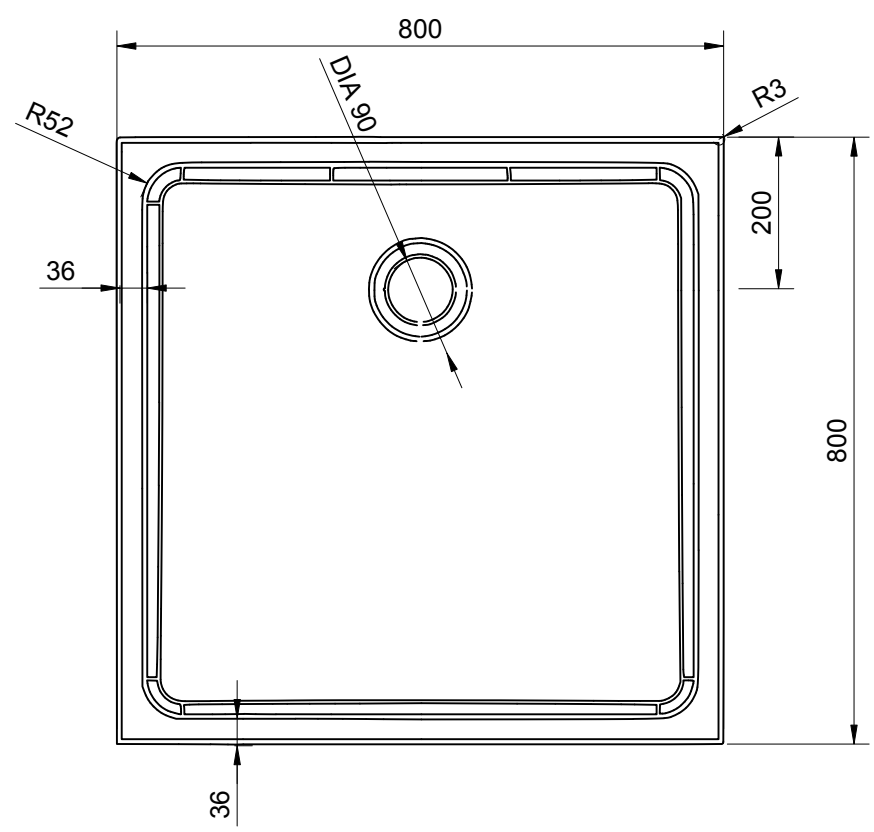
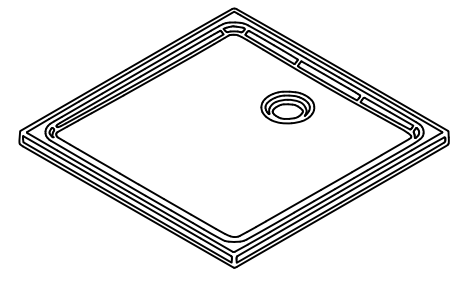
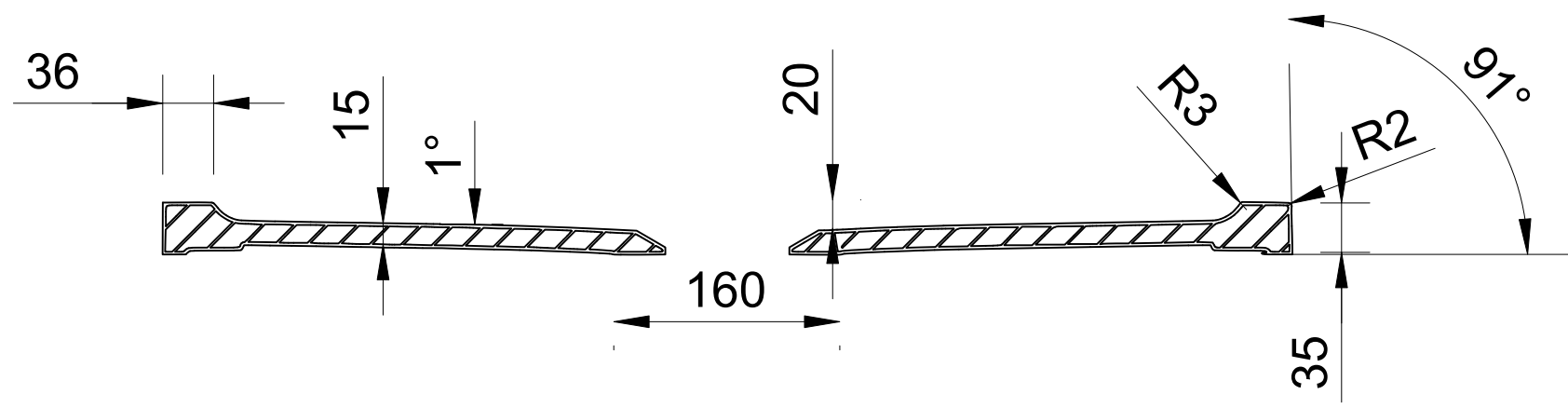
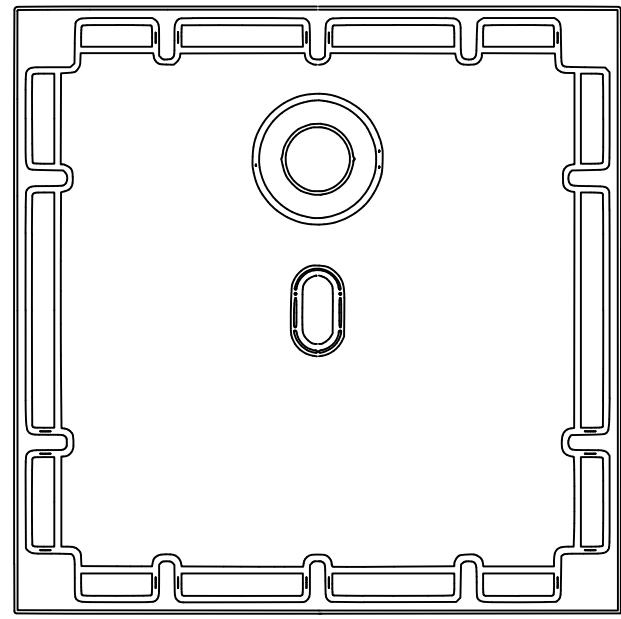


REV	DATE	DESCRIPTION	DRAWN	CHECKED
-	17/02/21	DRAWING CREATED	MF	MF
A	27/02/24	DRAWING UPDATED TO SHOW SQUARE BASE SHOWER TRAY	MF	MF

A-A SCALE @ 1:5



BOTTOM VIEW



TOLERANCE LENGTH / WIDTH	+5/0mm
TOLERANCE HEIGHT	+2/-2mm
TOL. PLANE BENDING	≤ 1200mm +2 / -2mm > 1200mm +3 / -3mm
TOLERANCE THICKNESS	+2 / -2mm
TOLERANCE FEET LOCATION	+7 / -7mm
TOLERANCE HOLE OCATION	+2 / -2mm
TOLERANCE HOLE DIAMETER	+1 / -1mm

CREATED	DRAWN BY	CHECKED BY	DRAWING TITLE	DRAWING NO.	CURRENT REV	SHEET	SHEET SIZE	SCALE	
17/02/21	MF	MF	LOWRY SHOWER TRAY 800 X 800	LOW-ST-8X8	A	1/1	A3	1:10	
					OVERFLOW	WASTE	TAPHOLE	MAIN DIMENSIONS	
					NO	REGULAR	0	800 X 800 X 35	
					NET WEIGHT	GROSS WEIGHT			
					23kg	25.85kg			