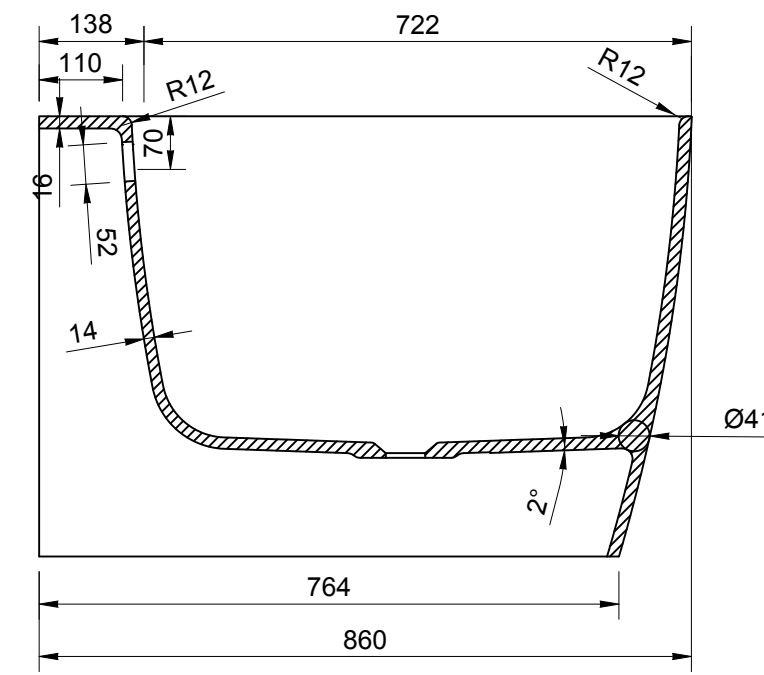
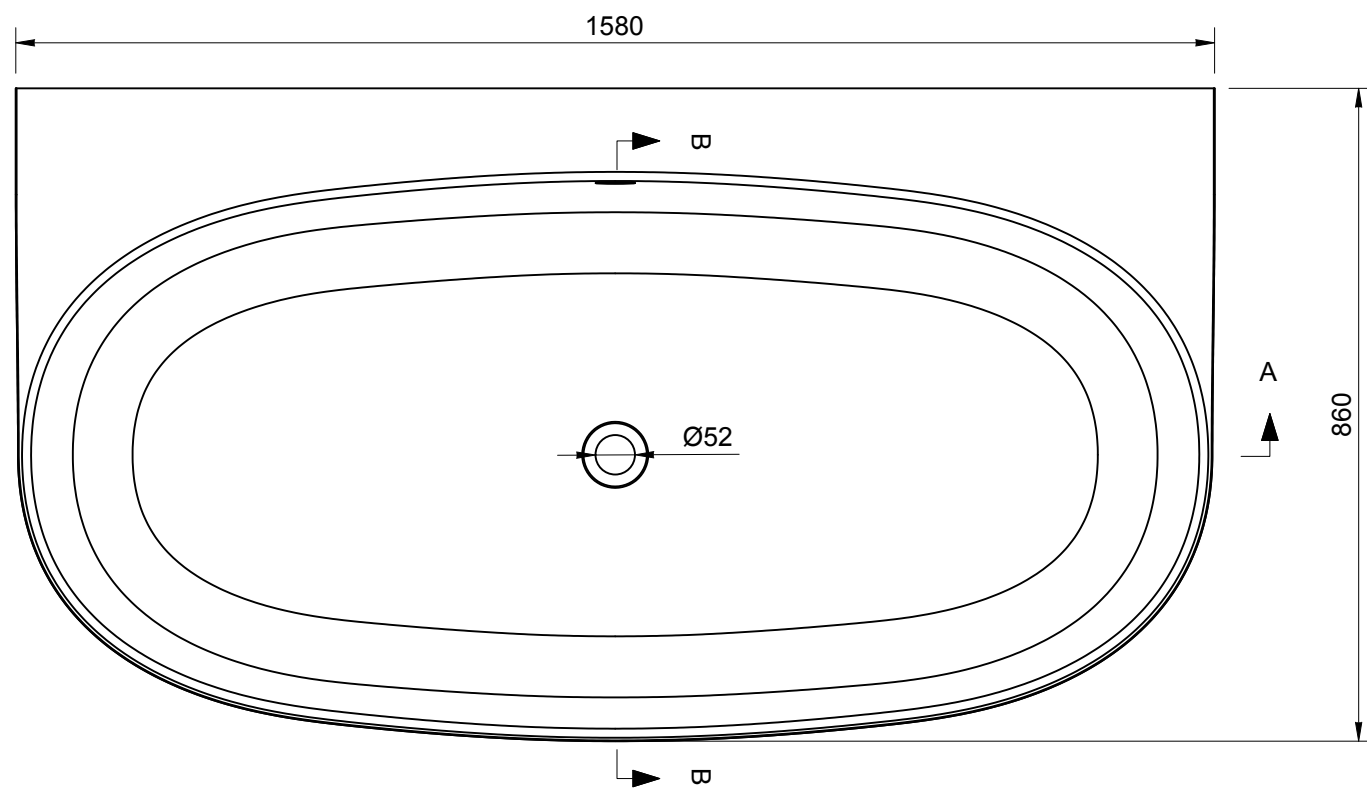
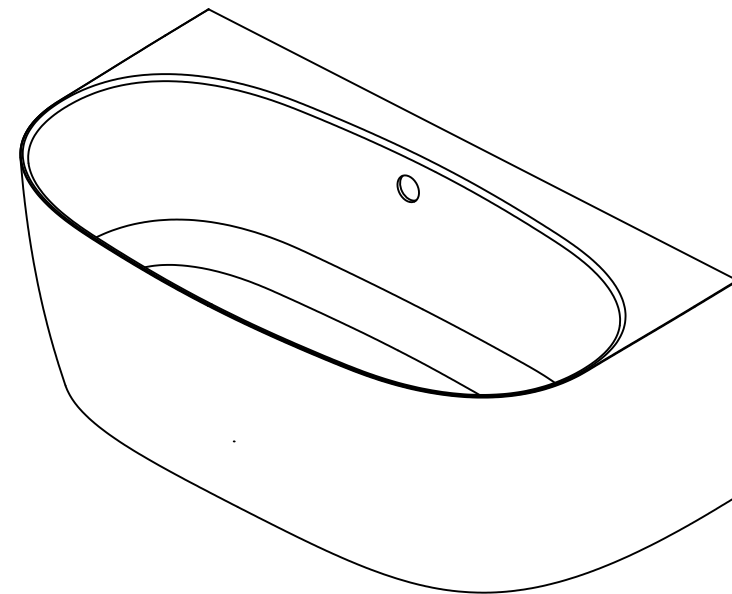
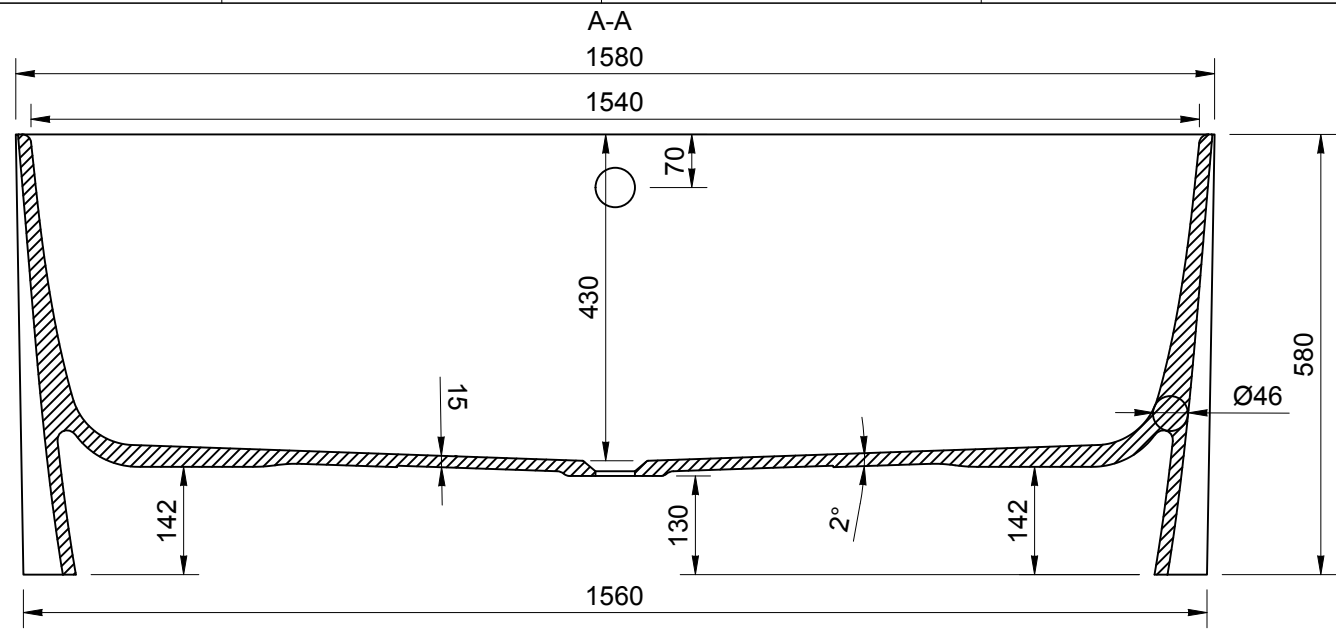
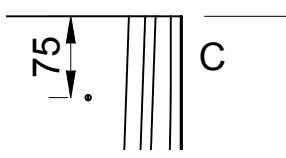
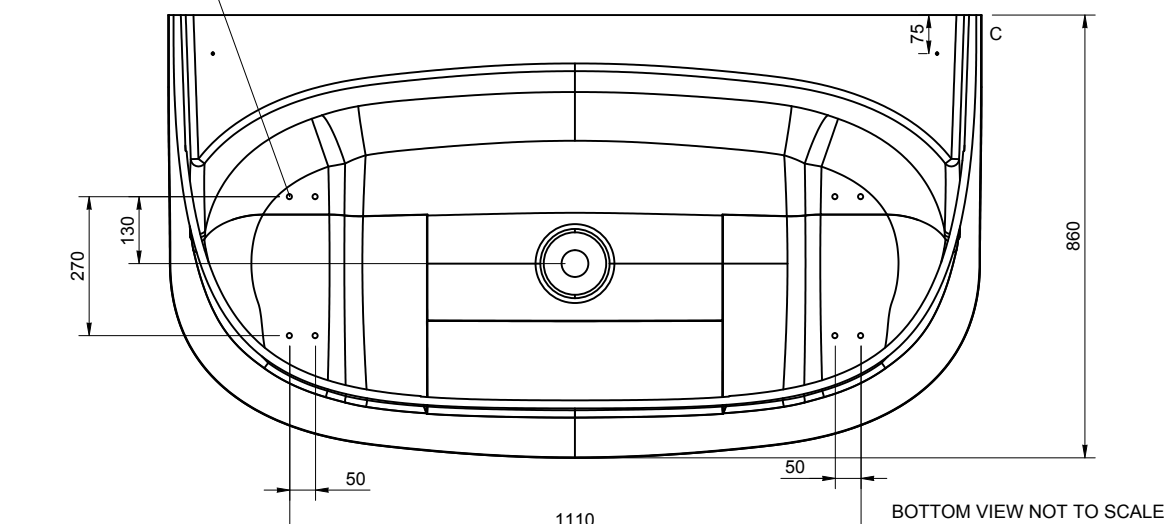


REV	DATE	DESCRIPTION	DRAWN	CHECKED
-	27/01/21	DRAWING CREATED	MF	MF



8x 10mm DIA. HOLES
M10 STEEL BEARINGS



LAWRENCE BATH WITH OVERFLOW
ALSO AVAILABLE WITHOUT OVERFLOW,
PLEASE REFER TO DRAWING LAW-NO

TOLERANCE LENGTH / WIDTH / HEIGHT	+10/ -10mm	CREATED	DRAWN BY	CHECKED BY	DRAWING TITLE	DRAWING NO.	CURRENT REV.	VARIANT 1 - GLOSS FINISH	LAW-GW	SHEET	SHEET SIZE	SCALE		
TOL. PLANE BENDING	≤ 800mm	+1.5 / -1.5mm	27/01/21	MF	LAWRENCE BATH	LAW	-	VARIANT 1 - MATT FINISH	LAW-MW	1/1	A3	1:10		
	> 800mm	+3 / -3mm			WITH OVERFLOW									
TOLERANCE HOLES LOCATION		+3 / -3mm												
TOLERANCE HOLES DIAMETER		+1 / -1mm												
TOLERANCE WALL THICKNESS		+1 / -1mm												
TOLERANCE FEET LOCATION		+5 / -5mm												
									NET WEIGHT	121kg	GROSS WEIGHT	145kg	BATH VOLUME	FULL = 345L OVERFLOW= 310L



THE
LUXURY BATH
COMPANY