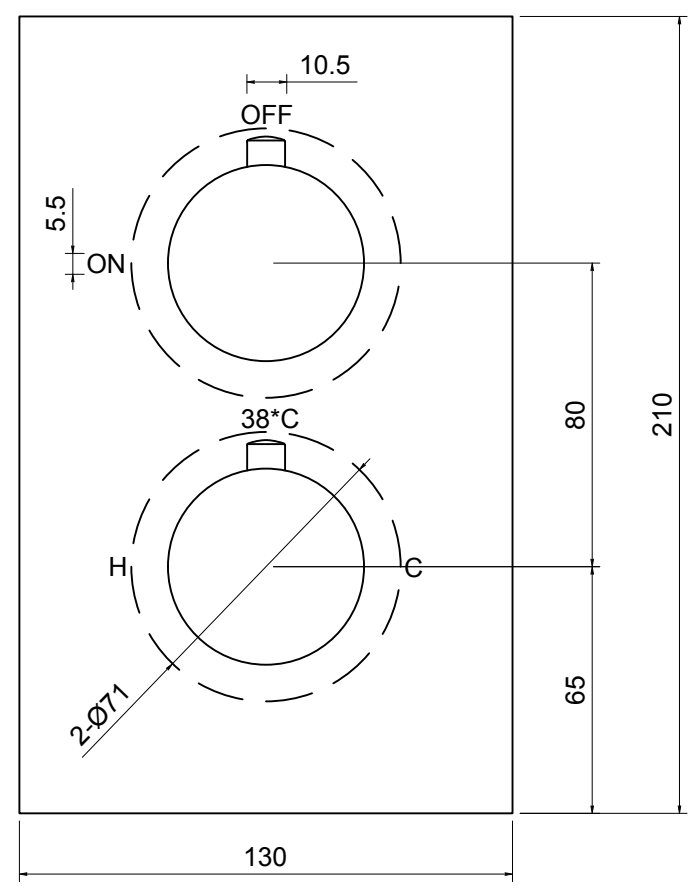
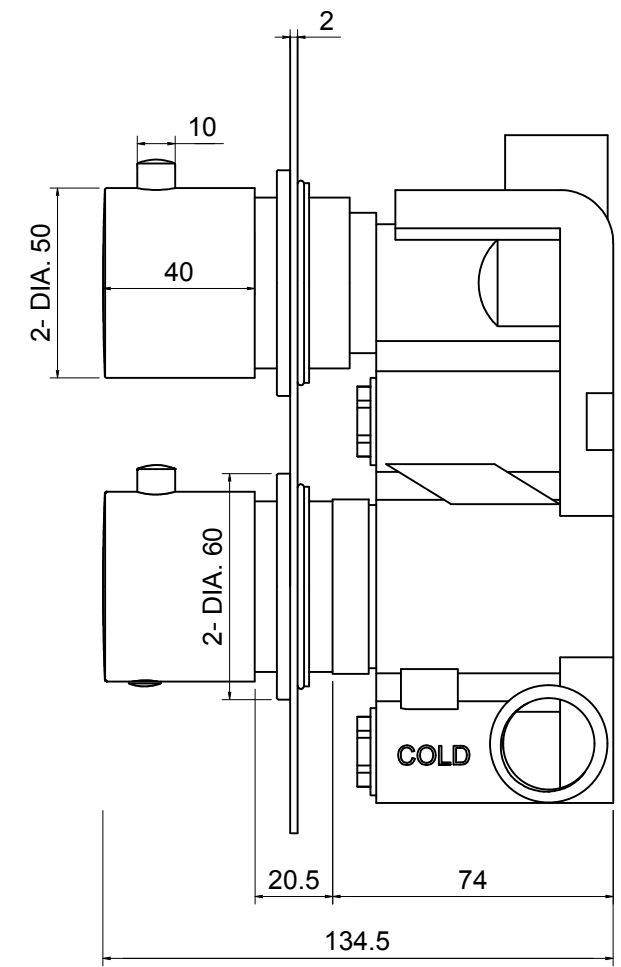
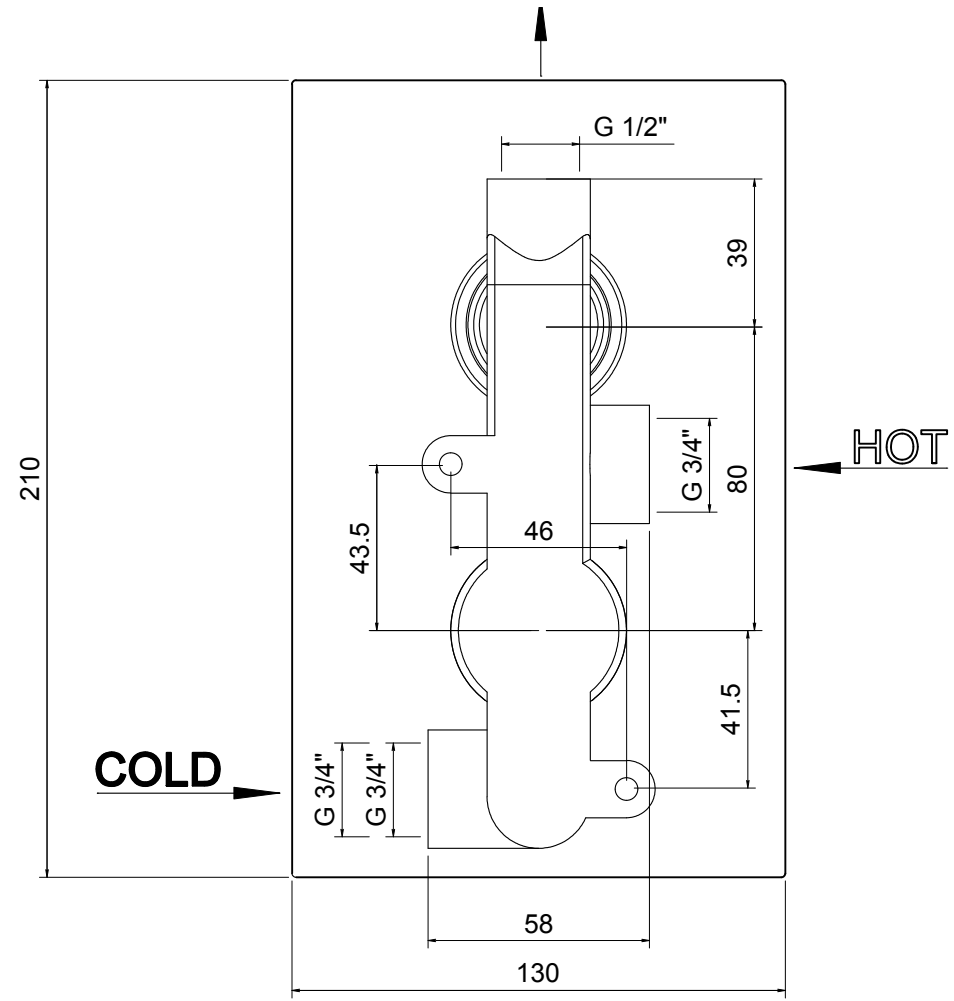


REV	DATE	DESCRIPTION	DRAWN	CHECKED
-	26/03/21	DRAWING CREATED	MF	MF



FLOW RATES (Litres per minute)

SYSTEM PRESSURE	0.1 BAR	0.2 BAR	0.3 BAR	0.5 BAR	1.0 BAR	1.5 BAR	2.0 BAR	3.0 BAR	4.0 BAR	5.0 BAR
1W-CTS	-	7.3	-	10.5	14.5	18	21	26.0	-	-



	CHROME	MATT BLACK
PRODUCT CODE	1W-CTS-CP	1W-CTS-MB
CONSTRUCTION	BRASS BODY (CuZn38b18)	BRASS BODY (CuZn38b18)
FINISH	CHROME PLATED TO BS EN 248	MATT BLACK
PRODUCT TYPE	CONTEMPORARY	CONTEMPORARY
WATER PRESSURE	MIN. 0.5 BAR MAX. 7 BAR	MIN. 0.5 BAR MAX. 7 BAR
PLUMBING SYSTEMS	SUITABLE FOR ALL PLUMBING SYSTEMS, PREFERABLY BALANCED MIN. SUPPLY PRESSURE DIFFERENTIAL IS 5:1	SUITABLE FOR ALL PLUMBING SYSTEMS, PREFERABLY BALANCED MIN. SUPPLY PRESSURE DIFFERENTIAL IS 5:1
STANDARDS	COMPLIES WITH BSEN 1111	COMPLIES WITH BSEN 1111
CERTIFICATION	WRAS (1601964) ANDS TMV2 (NSF1917/1017) APPROVED AND CERTIFIED	WRAS (1601964) ANDS TMV2 (NSF1917/1017) APPROVED AND CERTIFIED
CARTRIDGE	THERMOSTATIC	THERMOSTATIC
FITTING	INLET - 3/4" FEMALE OUTLET - 1/2" FEMALE	INLET - 3/4" FEMALE OUTLET - 1/2" FEMALE
ADDITIONAL INFO.	<ol style="list-style-type: none"> TEMPERATURE PRE SET 38 DEG. C, WITH PUSH BUTTON OVERRIDE TO 48 DEG. C. AUTOMATIC SHUT OFF IN THE EVENT OF HOT OR COLD WATER SUPPLY FAILURE. EASILY ACCESSIBLE CHECK VALVE 	<ol style="list-style-type: none"> TEMPERATURE PRE SET 38 DEG. C, WITH PUSH BUTTON OVERRIDE TO 48 DEG. C. AUTOMATIC SHUT OFF IN THE EVENT OF HOT OR COLD WATER SUPPLY FAILURE. EASILY ACCESSIBLE CHECK VALVE

— THE —

LUXURY BATH

— COMPANY —

CREATED	DRAWN BY	CHECKED BY
26/03/21	MF	MF
DRAWING TITLE		
SINGLE OUTLET THERMOSTATIC SHOWER VALVE		
DRAWING No.	CURRENT REV.	SHEET
1W-CTS	-	1/1
SHEET SIZE	SCALE	
A3	1:2	