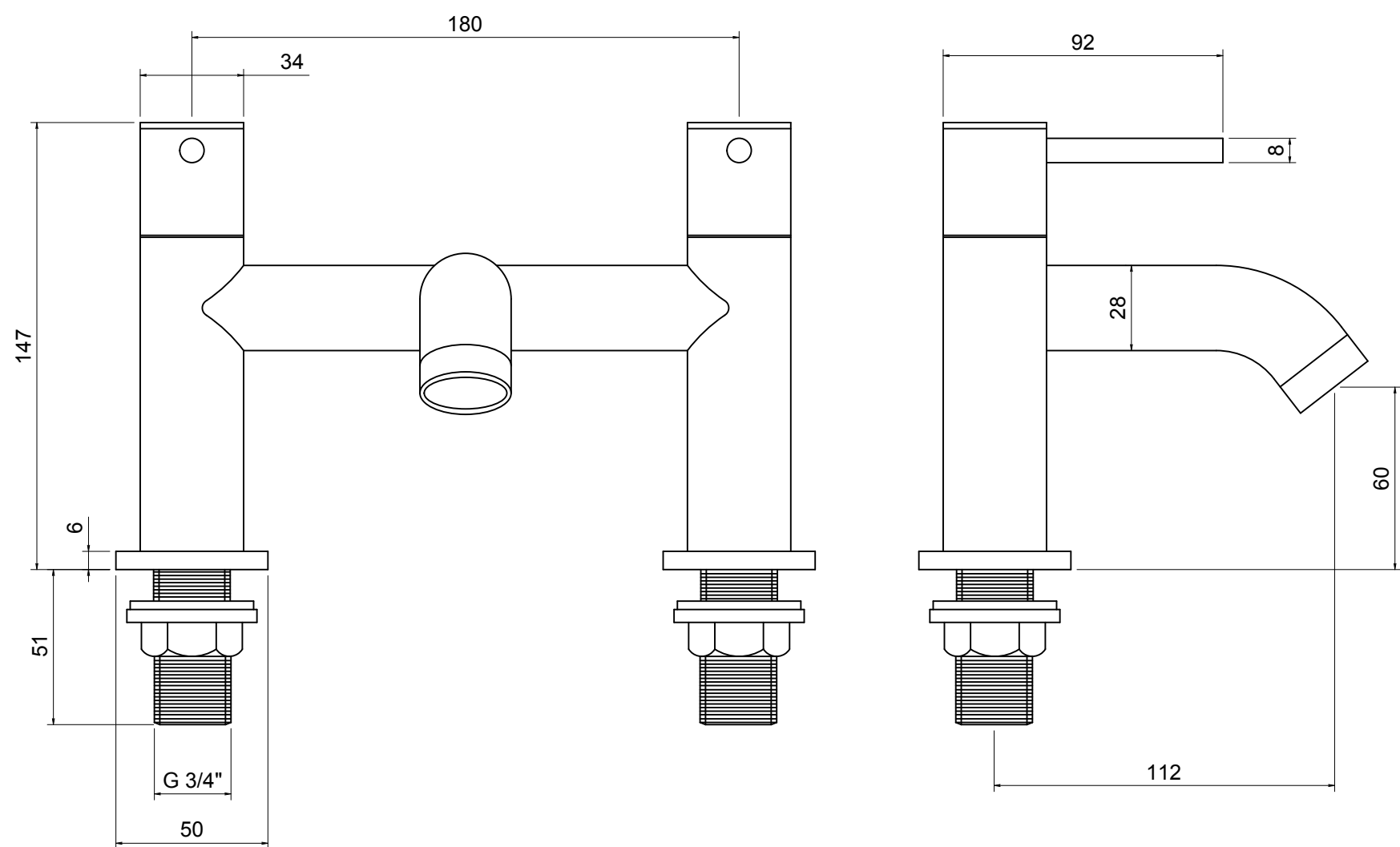


REV	DATE	DESCRIPTION	DRAWN	CHECKED
-	29/03/21	DRAWING CREATED	MF	MF



	CHROME	BRASS	MATT BLACK
PRODUCT CODE	DK-BAT-CP	DK-BAT-BB	DK-BAT-BB
CONSTRUCTION	BRASS BODY CuZn40Pb2, EN CW617N (EQUIVALENT TO BS CZ122). ZINC ALLOY HANDLE	BRASS BODY CuZn40Pb2, EN CW617N (EQUIVALENT TO BS CZ122). ZINC ALLOY HANDLE	BRASS BODY CuZn40Pb2, EN CW617N (EQUIVALENT TO BS CZ122). ZINC ALLOY HANDLE
FINISH	CHROME : Ni 8-12um, Cr: 0.25-0.3um	BRUSHED BRASS	MATT BLACK
PRODUCT TYPE	CONTEMPORARY	CONTEMPORARY	CONTEMPORARY
PLUMBING SYSTEMS	SUITABLE FOR ALL SYSTEMS	SUITABLE FOR ALL SYSTEMS	SUITABLE FOR ALL SYSTEMS
STANDARDS	COMPLIES WITH BS5412, BS EN200	COMPLIES WITH BS5412, BS EN200	COMPLIES WITH BS5412, BS EN200
AERATOR	NEOPERL SPOUT AERATOR	NEOPERL SPOUT AERATOR	NEOPERL SPOUT AERATOR
CARTRIDGE	1/4 TURN 3/4" CERAMIC DISC VALVES	1/4 TURN 3/4" CERAMIC DISC VALVES	1/4 TURN 3/4" CERAMIC DISC VALVES
FITTING	BRASS 3/4" BSP TAILS	BRASS 3/4" BSP TAILS	BRASS 3/4" BSP TAILS

FLOW RATES (Litres per minute)

SYSTEM PRESSURE	0.1 BAR	0.2 BAR	0.3 BAR	0.5 BAR	1.0 BAR	1.5 BAR	2.0 BAR	3 BAR	4.0 BAR	5.0 BAR
	4.8	7.8	-	11.7	17.5	-	21.3	27.4	-	-

— THE —

**LUXURY BATH**

— COMPANY —

CREATED	DRAWN BY	CHECKED BY
29/03/21	MF	MF
DRAWING TITLE		
<b>DECK MOUNTED BATH FILLER</b>		
DRAWING NO.	CURRENT REV.	SHEET
DK-BAT	-	1/1
SHEET SIZE	SCALE	
A3	1:2	