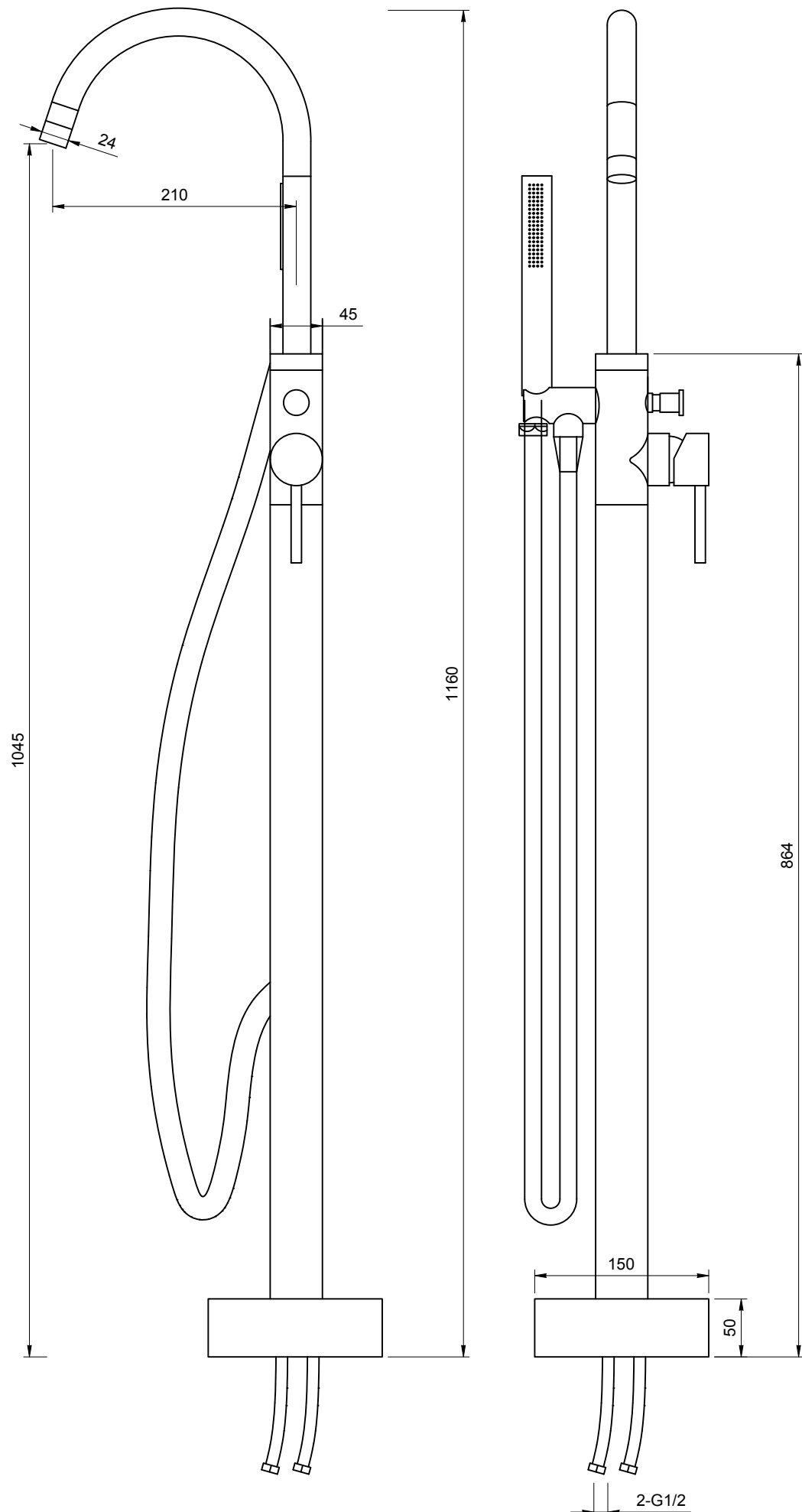


REV	DATE	DESCRIPTION	DRAWN	CHECKED
-	29/03/21	DRAWING CREATED	MF	MF



	CHROME	BRASS	MATT BLACK
PRODUCT CODE	FS-BSM-CP	FS-BSM-BB	FS-BSM-MB
CONSTRUCTION	BRASS BODY CuZn40Pb2, EN CW617N (EQUIVALENT TO BS CZZ122). ZINC ALLOY HANDLE	BRASS BODY CuZn40Pb2, EN CW617N (EQUIVALENT TO BS CZZ122). ZINC ALLOY HANDLE	BRASS BODY CuZn40Pb2, EN CW617N (EQUIVALENT TO BS CZZ122). ZINC ALLOY HANDLE
FINISH	CHROME : Ni:8-12um, Cr 0.25-0.3um	BRUSHED BRASS	MATT BLACK
PRODUCT TYPE	CONTEMPORARY	CONTEMPORARY	CONTEMPORARY
WATER PRESSURE	MIN. 1.0 BAR, MAX. 6.0 BAR	MIN. 1.0 BAR, MAX. 6.0 BAR	MIN. 1.0 BAR, MAX. 6.0 BAR
PLUMBING SYSTEMS	SUITABLE FOR ALL PLUMBING SYSTEMS	SUITABLE FOR ALL PLUMBING SYSTEMS	SUITABLE FOR ALL PLUMBING SYSTEMS
STANDARDS	COMPLIES WITH BS5412, BS EN200	COMPLIES WITH BS5412, BS EN200	COMPLIES WITH BS5412, BS EN200
CERTIFICATION	MANUFACTURED TO COMPLY WITH WRAS	MANUFACTURED TO COMPLY WITH WRAS	MANUFACTURED TO COMPLY WITH WRAS
CARTRIDGE	35mm CERAMIC DISC CARTRIDGE	35mm CERAMIC DISC CARTRIDGE	35mm CERAMIC DISC CARTRIDGE
FITTING	M10 X 3/4" BSP FEMALE FLEXI TAILS	M10 X 3/4" BSP FEMALE FLEXI TAILS	M10 X 3/4" BSP FEMALE FLEXI TAILS
AERATOR	LAMINAR	LAMINAR	LAMINAR
ADD. INFO	SUPPLIED WITH SHOWER HANDSET: BRUSHGED BRASS, PVC & SHOWER HOSE: BRUSHED BRASS , PVC 1.5M	SUPPLIED WITH SHOWER HANDSET: BRUSHGED BRASS, PVC & SHOWER HOSE: BRUSHED BRASS , PVC 1.5M	SUPPLIED WITH SHOWER HANDSET: BRUSHGED BRASS, PVC & SHOWER HOSE: BRUSHED BRASS , PVC 1.5M

FLOW RATES (Litres per minute)

SYSTEM PRESSURE	0.1 BAR	0.2 BAR	0.3 BAR	0.5 BAR	1.0 BAR	1.5 BAR	2.0 BAR	3 BAR	4.0 BAR	5.0 BAR
	2.7	3.2	3.6	4.3	6.0	7.5	8.4	10.2	11.7	13.1

— THE —

LUXURY BATH

— COMPANY —

CREATED	DRAWN BY	CHECKED BY
29/03/21	MF	MF
DRAWING TITLE		
FS-BSM FLOOR STANDING BATH SHOWER MIXER		
DRAWING No.	CURRENT REV.	SHEET
FS-BSM	-	1/1
SHEET SIZE	SCALE	
A3	1:2	

1 2 3 4 5 6 7 8

A B C D E F

1 2 3 4 5 6 7 8