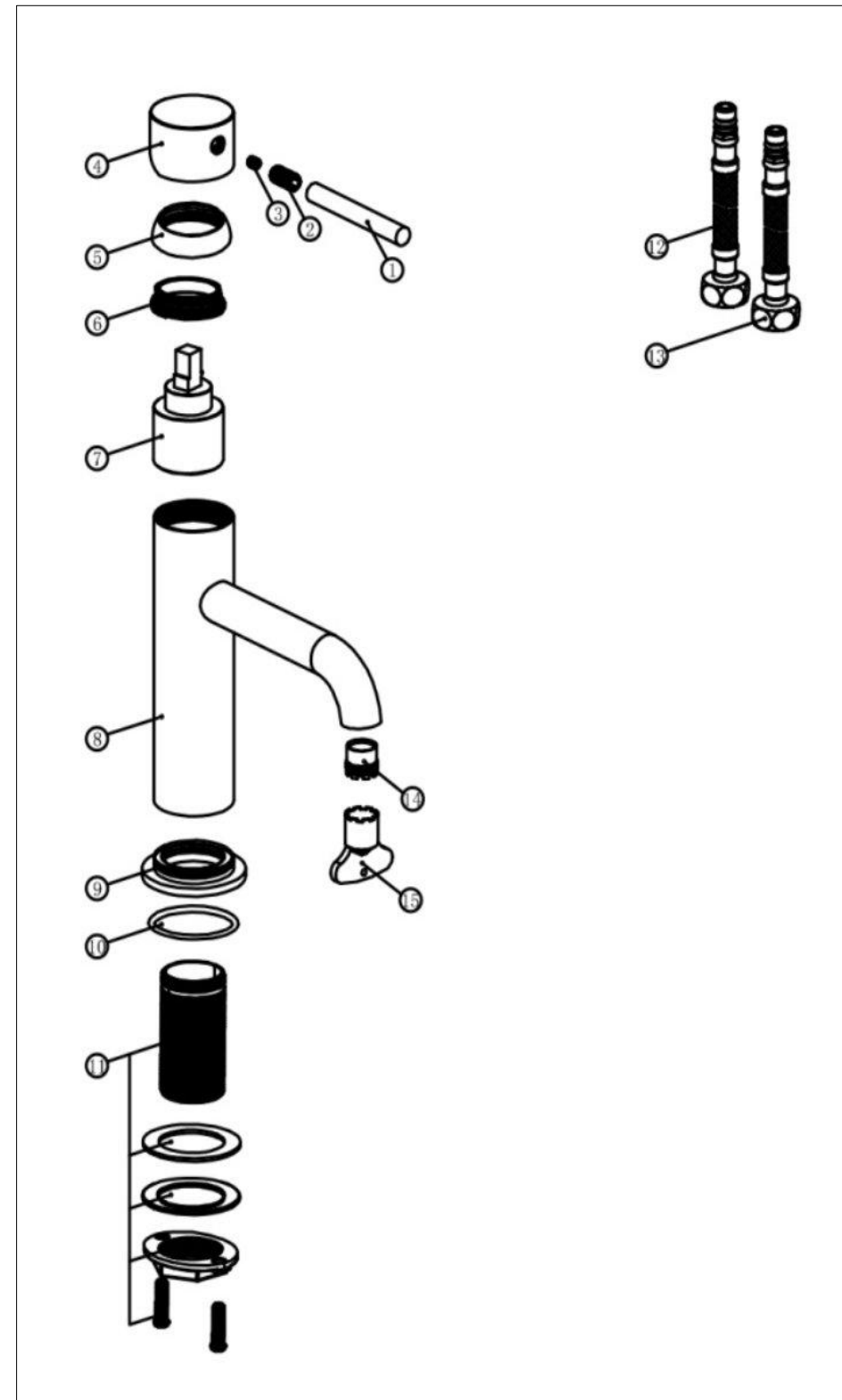
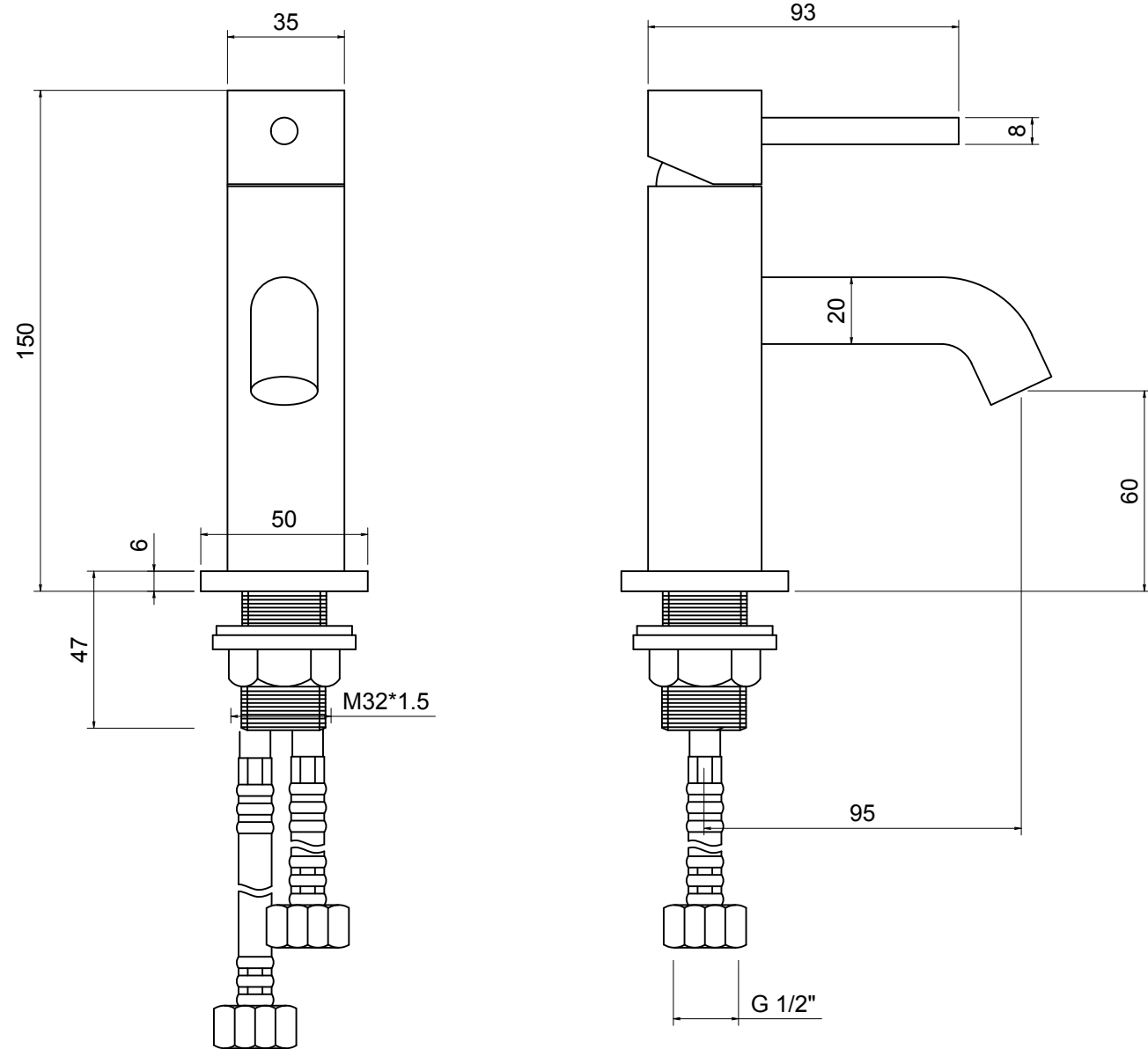


REV	DATE	DESCRIPTION	DRAWN	CHECKED
-	29/03/21	DRAWING CREATED	MF	MF



FLOW RATES (Litres per minute)

SYSTEM PRESSURE	0.1 BAR	0.2 BAR	0.3 BAR	0.5 BAR	1.0 BAR	1.5 BAR	2.0 BAR	3 BAR	4.0 BAR	5.0 BAR
	2.8	5.8	-	8.1	11.3	-	13.8	15.4	-	-

	CHROME	BRASS	MATT BLACK
PRODUCT CODE	MN-BAS-CP	MN-BAS-BB	MN-BAS-MB
CONSTRUCTION	BRASS BODY CuZn40Pb2, EN CW617N (equivalent to cz122). ZINC ALLOY HANDLE	BRASS BODY CuZn40Pb2, EN CW617N (equivalent to cz122). ZINC ALLOY HANDLE	BRASS BODY CuZn40Pb2, EN CW617N (equivalent to cz122). ZINC ALLOY HANDLE
FINISH	CHROME PLATED	BRUSHED BRASS	MATT BLACK
PRODUCT TYPE	CONTEMPORARY	CONTEMPORARY	CONTEMPORARY
WATER PRESSURE	MIN. 0.2 BAR, MAX. 6.0 BAR	MIN. 0.2 BAR, MAX. 6.0 BAR	MIN. 0.2 BAR, MAX. 6.0 BAR
PLUMBING SYSTEMS	SUITABLE FOR ALL SYSTEMS	SUITABLE FOR ALL SYSTEMS	SUITABLE FOR ALL SYSTEMS
STANDARDS	COMPLIES WITH BS6920, BS EN200	COMPLIES WITH BS6920, BS EN200	COMPLIES WITH BS6920, BS EN200
CARTRIDGE	WRAS APPROVED 25mm CARTRIDGE	WRAS APPROVED 25mm CARTRIDGE	WRAS APPROVED 25mm CARTRIDGE
AERATOR	ADJUSTABLE SLIM AERATOR	ADJUSTABLE SLIM AERATOR	ADJUSTABLE SLIM AERATOR
FITTING	UK: M10 X 350mm 1/2 BSP FEMALE FLEXI TAILS EU: M10 X 350mm 3/8 BSP FEMALE FLEXI TAILS	UK: M10 X 350mm 1/2 BSP FEMALE FLEXI TAILS EU: M10 X 350mm 3/8 BSP FEMALE FLEXI TAILS	UK: M10 X 350mm 1/2 BSP FEMALE FLEXI TAILS EU: M10 X 350mm 3/8 BSP FEMALE FLEXI TAILS
ADD. INFO	SUPPLIED WITH G 1/4 SPRUNG WASTE (UK ONLY)	SUPPLIED WITH G 1/4 SPRUNG WASTE (UK ONLY)	SUPPLIED WITH G 1/4 SPRUNG WASTE (UK ONLY)



THE LUXURY BATH COMPANY

CREATED	29/03/21	DRAWN BY	MF	CHECKED BY	MF
DRAWING TITLE	MONOBLOC MINI BASIN MIXER TAP				
DRAWING NO.	MN-BAS	CURRENT REV.	1/1	SHEET	A3
				SCALE	1:2