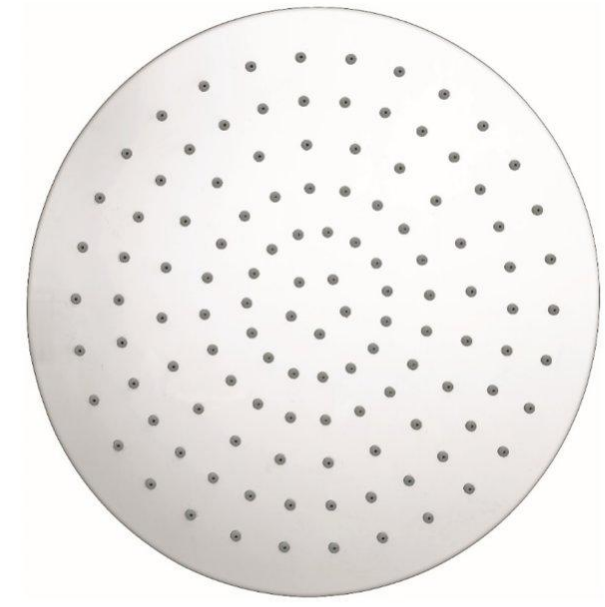
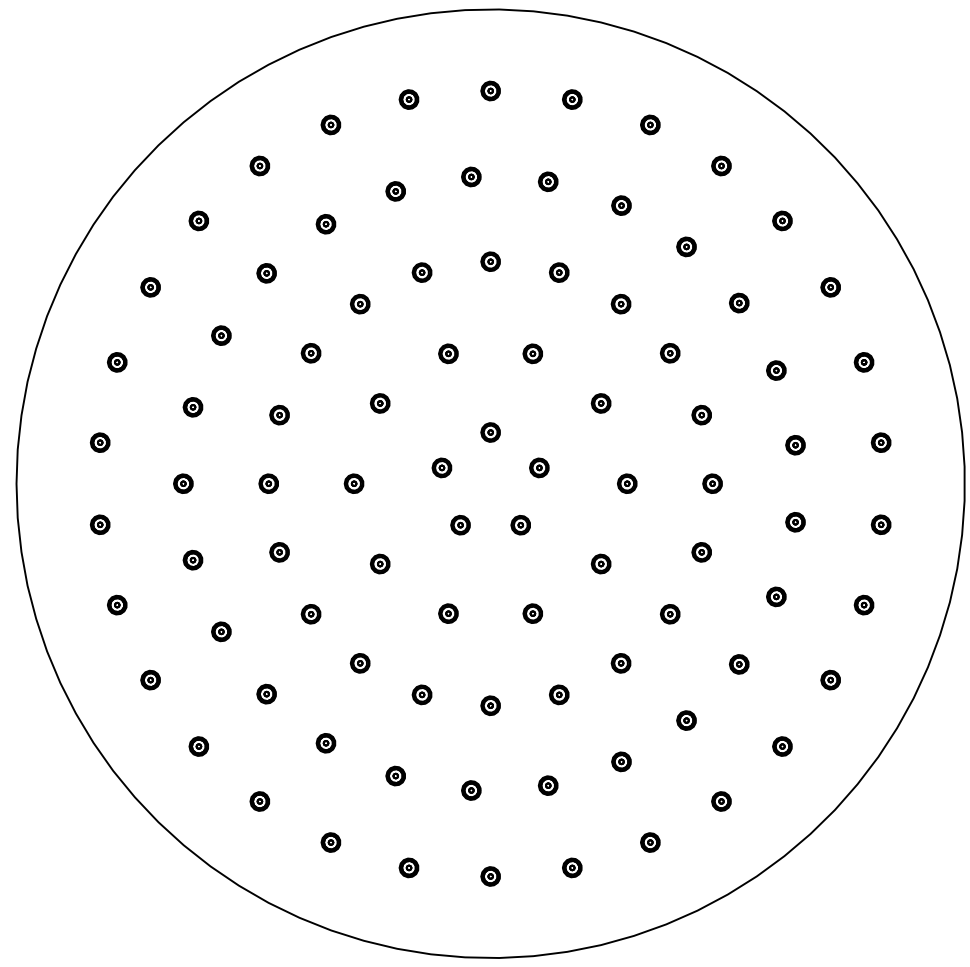
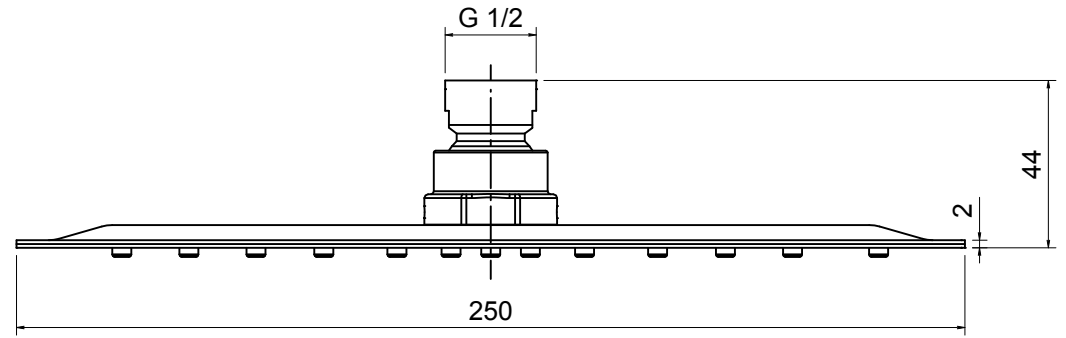


REV	DATE	DESCRIPTION	DRAWN	CHECKED
-	30/03/21	DRAWING CREATED	MF	MF



	CHROME	MATT BLACK
PRODUCT CODE	SH-RND-CP	SH-RND-MB
CONSTRUCTION	STAINLESS STEEL 304	STAINLESS STEEL 304
FINISH	CHROME	MATT BLACK
PRODUCT TYPE	CONTEMPORARY	CONTEMPORARY
PLUMBING SYSTEMS	SUITABLE FOR ALL SYSTEMS	SUITABLE FOR ALL SYSTEMS
SIZE	250mm DIA.	250mm DIA.
FITTING	G 1/2"	G 1/2"
ADD. INFO	1) SWIVEL CONNECTOR 2) BRASS RUB-CLEAN NOZZLE 3) AERATOR INCLUDED	1) SWIVEL CONNECTOR 2) BRASS RUB-CLEAN NOZZLE 3) AERATOR INCLUDED

FLOW RATES (Litres per minute)										
SYSTEM PRESSURE	0.1 BAR	0.2 BAR	0.3 BAR	0.5 BAR	1.0 BAR	1.5 BAR	2.0 BAR	3 BAR	4.0 BAR	5.0 BAR
	4.5	7.3	9.5	11.2	12.9	13.9	15.5	17.7	19.2	20.6

— THE —

LUXURY BATH

— COMPANY —

CREATED	DRAWN BY	CHECKED BY		
30/03/21	MF	MF		
DRAWING TITLE				
250mm ROUND ULTRA THIN SHOWER HEAD				
DRAWING NO.	CURRENT REV.	SHEET	SHEET SIZE	SCALE
SH-RND	-	1/1	A3	1:2