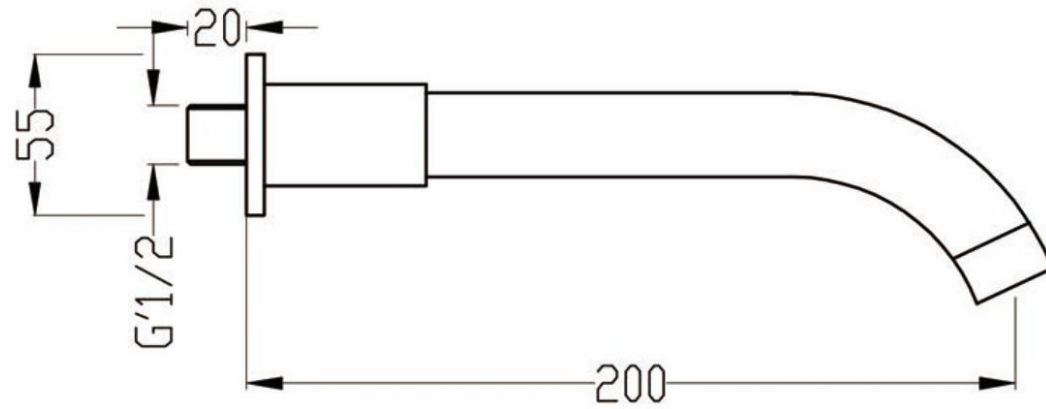
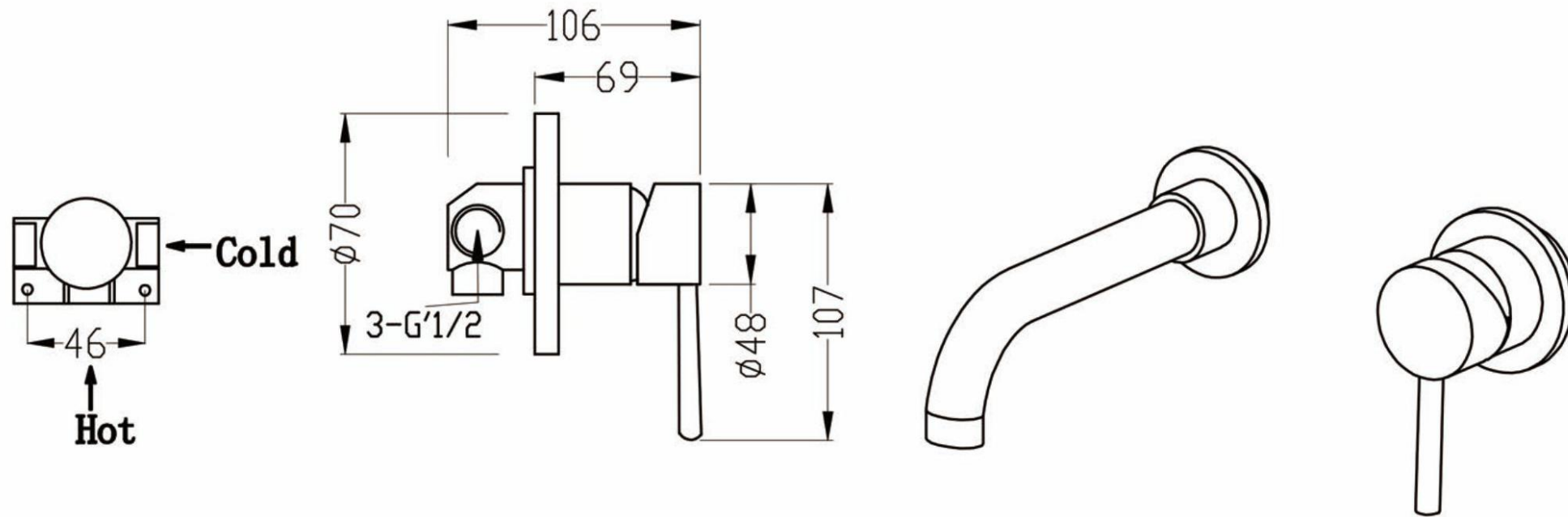


REV	DATE	DESCRIPTION	DRAWN	CHECKED
-	30/03/21	DRAWING CREATED	MF	MF
A	28/06/21	ERROR ON PRODUCT CODES AMENDED MATT BLACK OPTION ADDED	MF	MF



	CHROME	BRUSHED BRASS	MATT BLACK
PRODUCT CODE	W2-BAS-CP	W2-BAS-BB	W2-BAS-MB
CONSTRUCTION	BRASS BODY CuZn40Pb2, EN CW617N (EQUIVALENT TO BS CZ122) ZINC ALLOY HANDLE	BRASS BODY CuZn40Pb2, EN CW617N (EQUIVALENT TO BS CZ122) ZINC ALLOY HANDLE	BRASS BODY CuZn40Pb2, EN CW617N (EQUIVALENT TO BS CZ122) ZINC ALLOY HANDLE
FINISH	CHROME: Ni: 8-12um, Cr: 0.25-0.3um	BRUSHED BRASS	MATT BLACK
PRODUCT TYPE	CONTEMPORARY	CONTEMPORARY	CONTEMPORARY
WATER PRESSURE	MIN. 0.5 BAR, MAX. 6.0 BAR	MIN. 0.5 BAR, MAX. 6.0 BAR	MIN. 0.5 BAR, MAX. 6.0 BAR
PLUMBING SYSTEMS	SUITABLE FOR ALL SYSTEMS	SUITABLE FOR ALL SYSTEMS	SUITABLE FOR ALL SYSTEMS
STANDARDS	COMPLIES WITH BS5412, BS EN200	COMPLIES WITH BS5412, BS EN200	COMPLIES WITH BS5412, BS EN200
CARTRIDGE	WRAS APPROVED 35mm CARTRIDGE	WRAS APPROVED 35mm CARTRIDGE	WRAS APPROVED 35mm CARTRIDGE
AERATOR	NEOPERL AERATOR	NEOPERL AERATOR	NEOPERL AERATOR
FITTING	EZ-BOX - INLET G 1/2", OUTLET G 1/2"	EZ-BOX - INLET G 1/2", OUTLET G 1/2"	EZ-BOX - INLET G 1/2", OUTLET G 1/2"

FLOW RATES (Litres per minute)

SYSTEM PRESSURE	0.1 BAR	0.2 BAR	0.3 BAR	0.5 BAR	1.0 BAR	1.5 BAR	2.0 BAR	3.0 BAR	4.0 BAR	5.0 BAR
	-	-	-	4.0	7.5	10.0	12.3	13.5	-	17.5



THE
LUXURY BATH
COMPANY

CREATED	30/03/21	DRAWN BY	MF	CHECKED BY	MF
DRAWING TITLE					
WALL MOUNTED 2 HOLE BASIN MIXER TAP					
DRAWING NO.	W2-BAS	CURRENT REV.	A	SHEET	1/1
		SHEET SIZE	A3	SCALE	1:2

