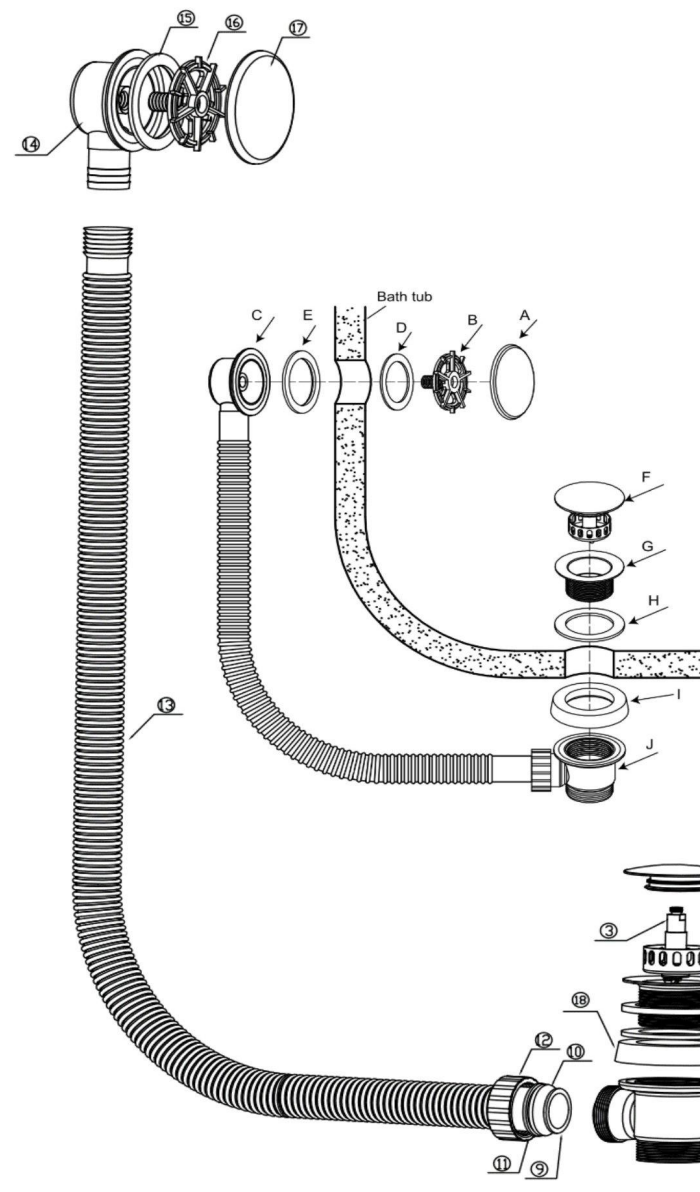
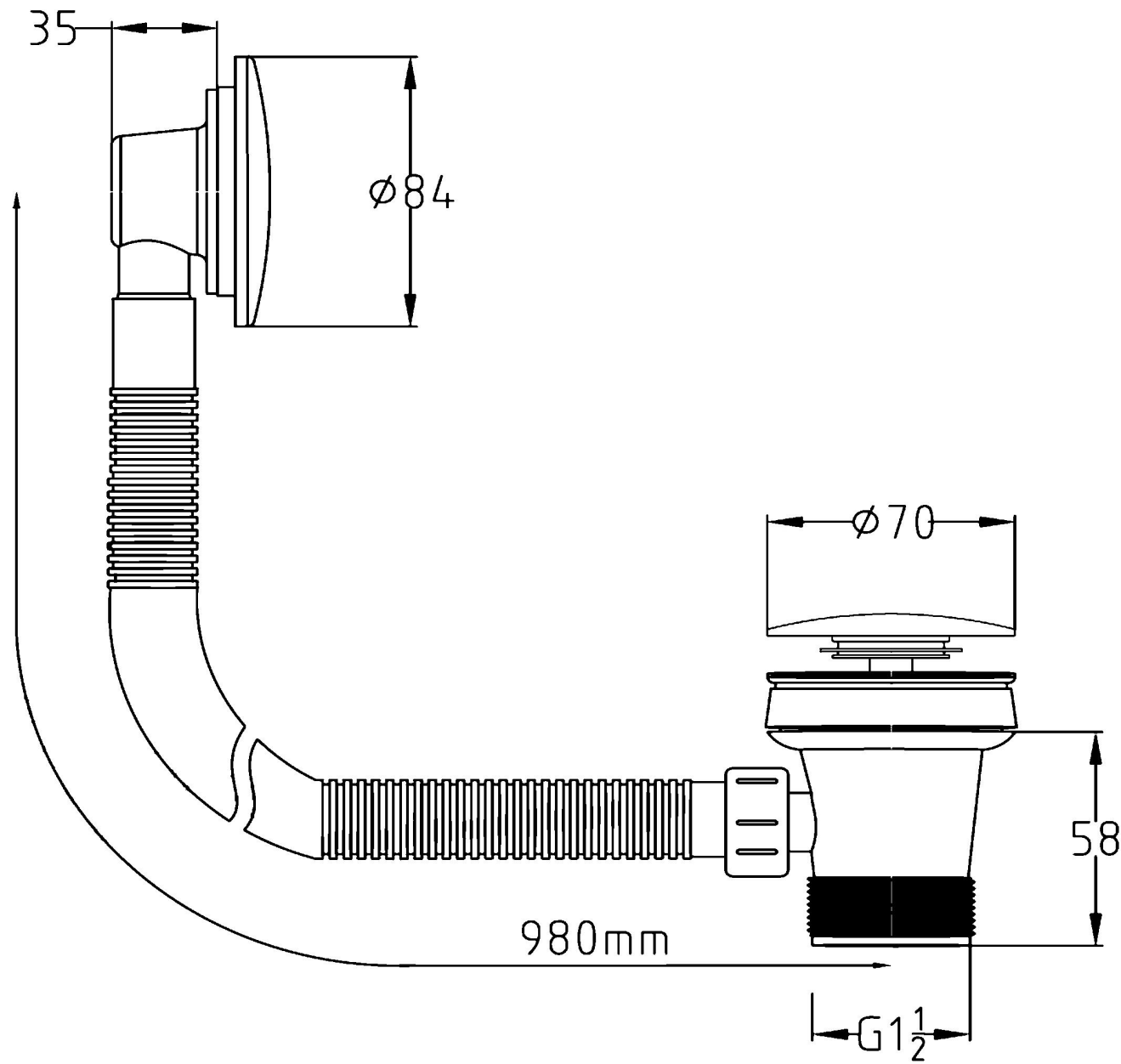


REV	DATE	DESCRIPTION	DRAWN	CHECKED
-	14/04/21	DRAWING CREATED	MF	MF



- A. Overflow cover
- B. Lock nut
- C. Overflow body
- D. Flat washer-lock nut
- E. Flat washer- overflow
- F. Cover
- G. Flange
- H. Washer
- I. Washer
- J. Waste outlet

	CHROME	BRASS	MATT BLACK
PRODUCT CODE	WA-BWO-CP	WA-BWO-BB	WA-BW0-BB
CONSTRUCTION	ZINC ALLOY & ABS	ZINC ALLOY & ABS	ZINC ALLOY & ABS
FINISH	CHROME PLATED TO BS EN 248	BRUSHED BRASS	MATT BLACK
PRODUCT TYPE	CONTEMPORARY	CONTEMPORARY	CONTEMPORARY
PLUMBING SYSTEMS	SUITABLE FOR ALL SYSTEMS	SUITABLE FOR ALL SYSTEMS	SUITABLE FOR ALL SYSTEMS
FITTING	G 1 1/2	G 1 1/2	G 1 1/2
ADD.INFO	CENTRE TO CENTRE LENGTH 980mm; SUITABLE FOR BATHTUB WITH 5-17mm THICKNESS	CENTRE TO CENTRE LENGTH 980mm; SUITABLE FOR BATHTUB WITH 5-17mm THICKNESS	CENTRE TO CENTRE LENGTH 980mm; SUITABLE FOR BATHTUB WITH 5-17mm THICKNESS

FLOW RATES (Litres per minute)										
SYSTEM PRESSURE	0.1 BAR	0.2 BAR	0.3 BAR	0.5 BAR	1.0 BAR	1.5 BAR	2.0 BAR	3.0 BAR	4.0 BAR	5.0 BAR
	-	-	-	-	-	-	-	-	-	-

— THE —

LUXURY BATH

— COMPANY —

CREATED	DRAWN BY	CHECKED BY		
14/04/21	MF	MF		
DRAWING TITLE				
BATH WASTE & OVERFLOW WITH CLICKER WASTE				
DRAWING No.	CURRENT REV.	SHEET	SHEET SIZE	SCALE
WA-BWO	-	1/1	A3	1:2