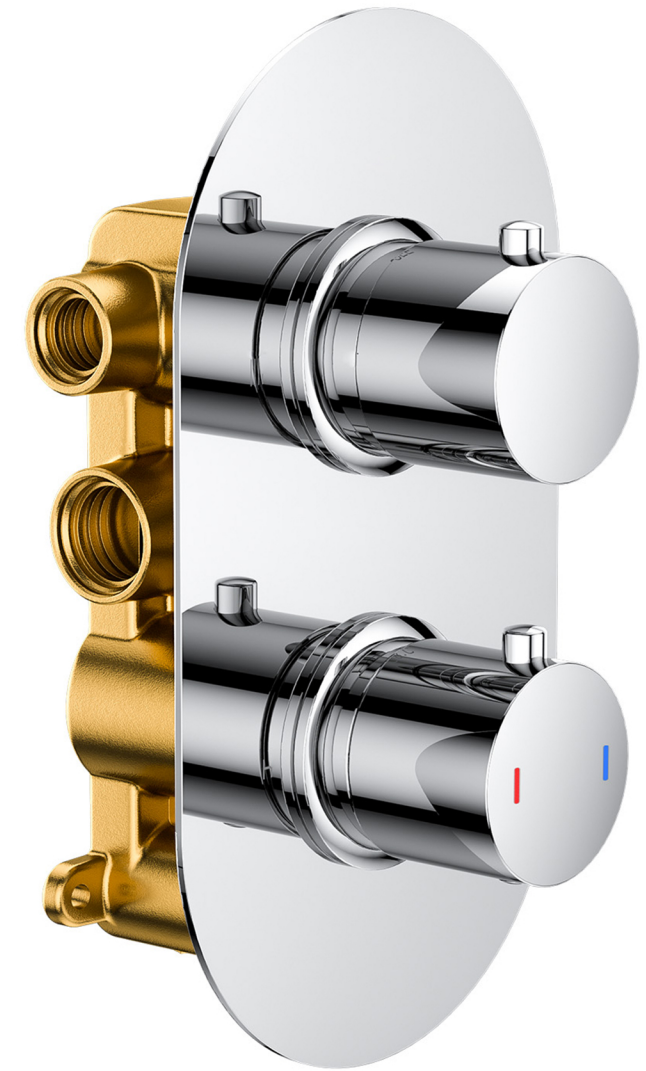
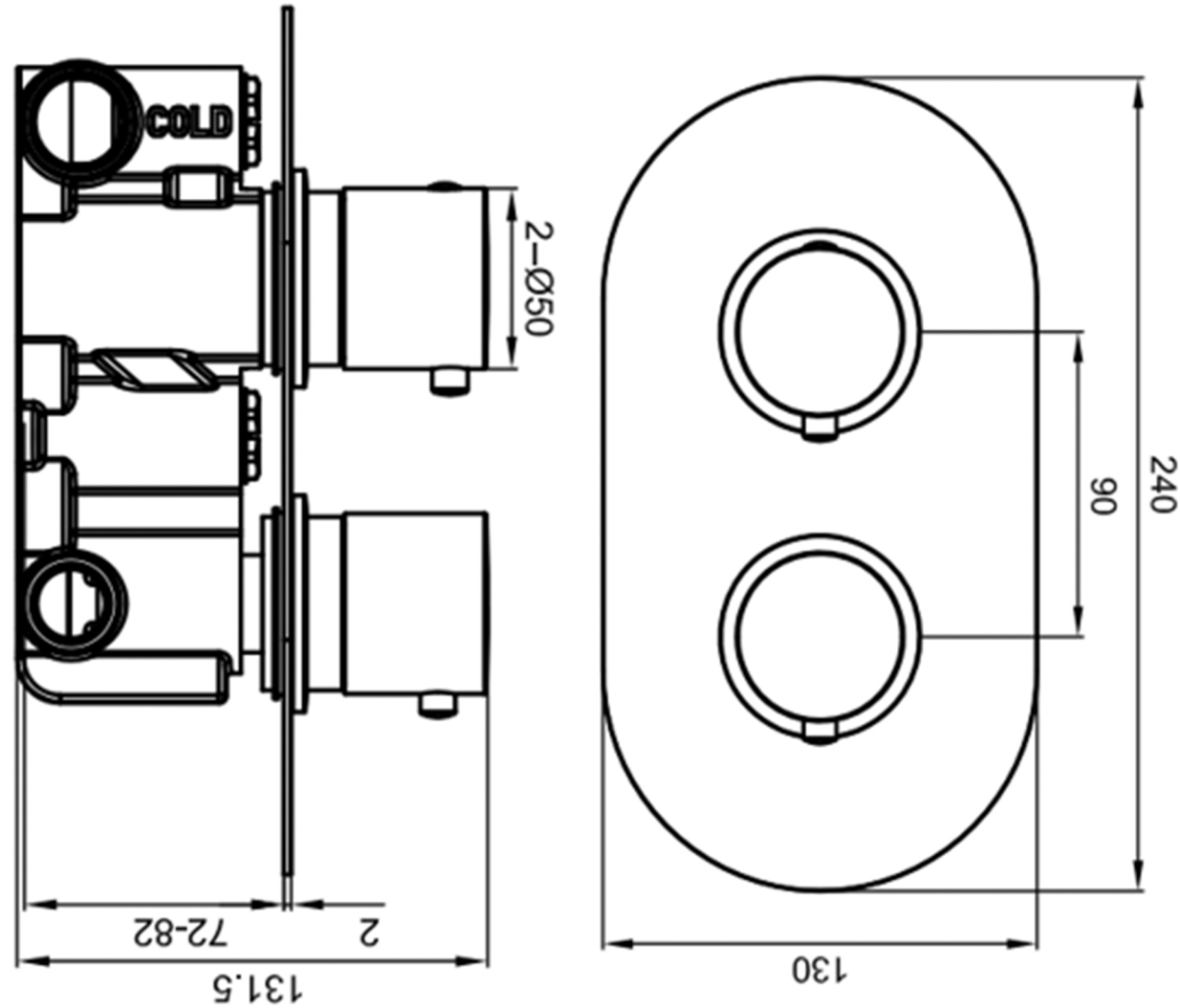


REV	DATE	DESCRIPTION	DRAWN	CHECKED
-	29/03/21	DRAWING CREATED	MF	MF



FLOW RATES (Litres per minute)

SYSTEM PRESSURE	0.1 BAR	0.2 BAR	0.3 BAR	0.5 BAR	1.0 BAR	1.5 BAR	2.0 BAR	3.0 BAR	4.0 BAR	5.0 BAR
	-	7.5	-	10.7	15	185	21.5	27.0	-	-

	CHROME	BRUSHED BRASS
PRODUCT CODE	2W-RTS-CP	2W-RTS-BB
CONSTRUCTION	BRASS BODY (CuZn38b18)	BRASS BODY (CuZn38b18)
FINISH	CHROME PLATED TO BS EN 248	BRUSHED BRASS
PRODUCT TYPE	CONTEMPORARY	CONTEMPORARY
WATER PRESSURE	MIN. 0.5 BAR MAX. 7 BAR	MIN. 0.5 BAR MAX. 7 BAR
PLUMBING SYSTEMS	SUITABLE FOR ALL PLUMBING SYSTEMS, PREFEREABLY BALANCED MIN. SUPPLY PRESSURE DIFFERENTIAL IS 5:1	SUITABLE FOR ALL PLUMBING SYSTEMS, PREFEREABLY BALANCED MIN. SUPPLY PRESSURE DIFFERENTIAL IS 5:1
STANDARDS	COMPLIES WITH BSEN 1111	COMPLIES WITH BSEN 1111
CERTIFICATION	WRAS (1081023) ANDNS TMV2 (NSF1917/1017) APPROVED AND CERTIFIED	WRAS (1081023) ANDNS TMV2 (NSF1917/1017) APPROVED AND CERTIFIED
CARTRIDGE FITTING	THERMOSTATIC INLET - 3/4" FEMALE OUTLET - 3/4" FEMALE	THERMOSTATIC INLET - 3/4" FEMALE OUTLET - 3/4" FEMALE
ADDITIONAL INFO.	<ol style="list-style-type: none"> <li>TEMPERATURE PRE SET 38 DEG. C, WITH PUSH BUTTON OVERRIDE TO 48 DEG. C.</li> <li>AUTOMATIC SHUT OFF IN THE EVENT OF HOT OR COLD WATER SUPPLY FAILURE.</li> <li>EASILY ACCESSIBLE CHECK VALVE</li> </ol>	<ol style="list-style-type: none"> <li>TEMPERATURE PRE SET 38 DEG. C, WITH PUSH BUTTON OVERRIDE TO 48 DEG. C.</li> <li>AUTOMATIC SHUT OFF IN THE EVENT OF HOT OR COLD WATER SUPPLY FAILURE.</li> <li>EASILY ACCESSIBLE CHECK VALVE</li> </ol>



THE LUXURY BATH COMPANY

CREATED	29/03/21	DRAWN BY	MF	CHECKED BY	MF
DRAWING TITLE	TWIN OUTLET THERMOSTATIC SHOWER VALVE				
DRAWING No.	2W-CTS	CURRENT REV.	-	SHEET	1/1
				SHEET SIZE	A3
				SCALE	1:2