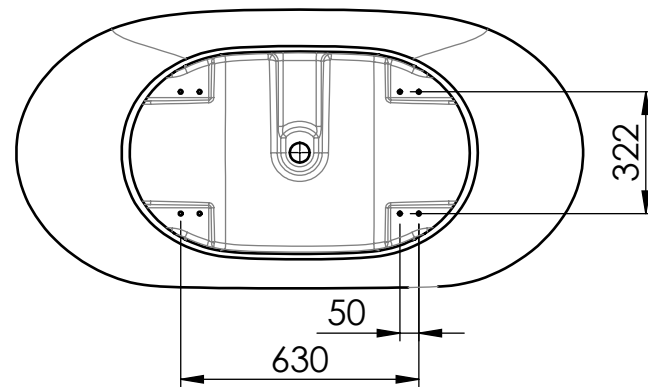


(8x)M10 Note 3



BOTTOM VIEW NOT TO SCALE

TOLERANCE LENGTH / WIDTH / HEIGHT	+10/ -10mm	CREATED	03/02/21	DRAWN BY	MF	CHECKED BY	MF	DRAWING TITLE	AUDSLEY BATH	DRAWING NO.	AUD	CURRENT REV.	A	VARIANT 1 - GLOSS FINISH	AUD-GW	1/1	SHEET SIZE	A3	SCALE	1:10
TOL. PLANE BENDING	≤ 800mm	+1.5 / -1.5mm												VARIANT 1 - MATT FINISH	AUD-MW	0	MAIN DIMENSIONS	1500 X 737 X 600		
TOLERANCE HOLES LOCATION	> 800mm	+3 / -3mm												NO	REGULAR	0	TAPHOLE	FULL = 258L OVERFLOW=***L		
TOLERANCE HOLES DIAMETER		+1 / -1mm												NET WEIGHT	108kg	GROSS WEIGHT	130kg			
TOLERANCE WALL THICKNESS		+1 / -1mm																		
TOLERANCE FEET LOCATION		+5 / -5mm																		



THE
LUXURY BATH
COMPANY

BATH VOLUME
FULL = 258L
OVERFLOW=***L