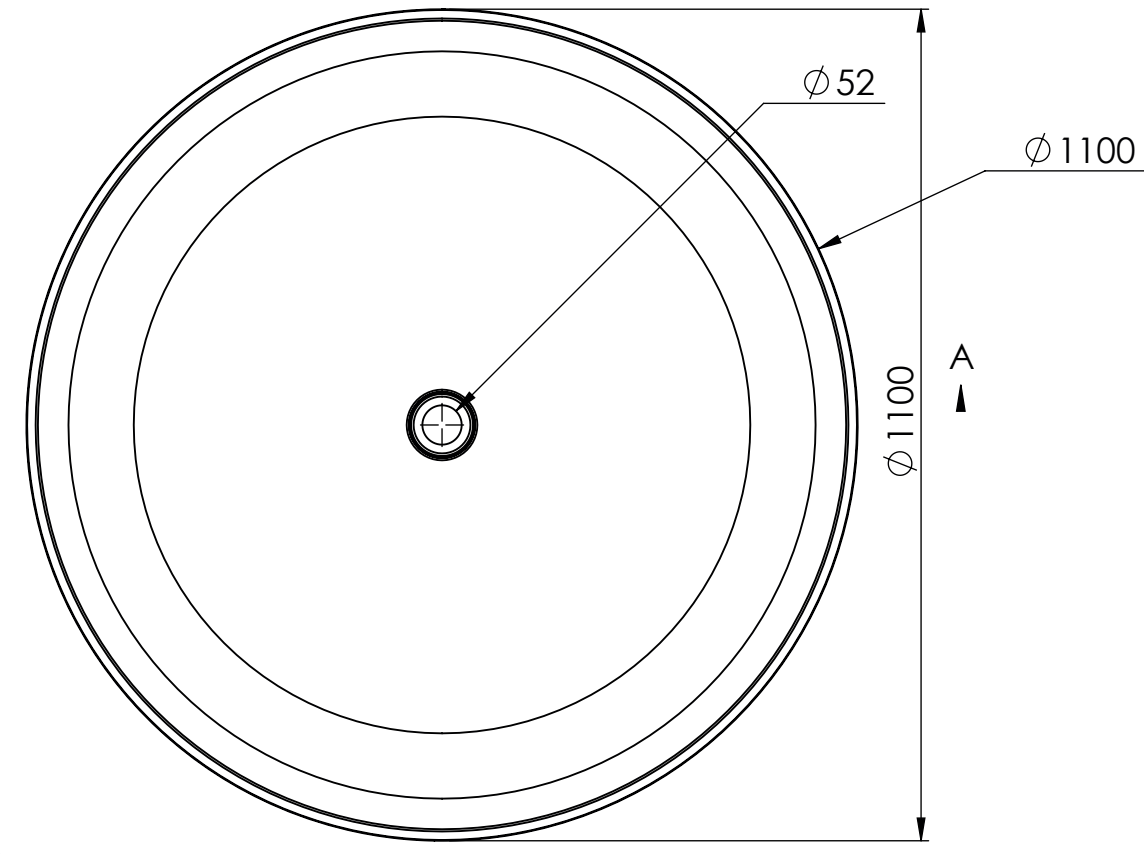
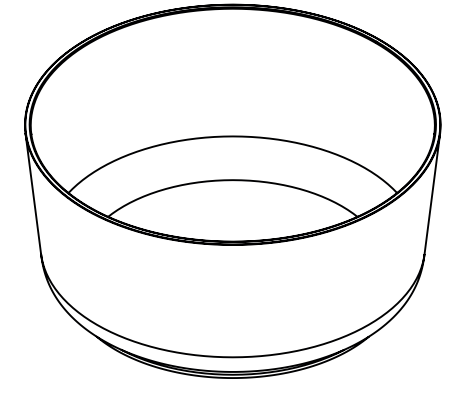
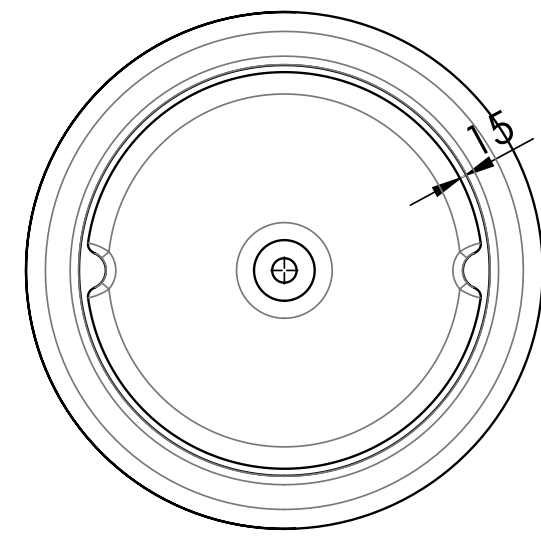


~R1



Bottom view



BOTTOM VIEW NOT TO SCALE

TOLERANCE LENGTH / WIDTH / HEIGHT	+10/ -10mm	CREATED	03/02/21	DRAWN BY	MF	CHECKED BY	MF	DRAWING TITLE	GODWIN BATH	DRAWING No.	GOD	CURRENT REV.	A	VARIANT 1 - GLOSS FINISH	GOD-GW	SHEET	1/1	SHEET SIZE	A3	SCALE	1:10	
TOL. PLANE BENDING	≤ 800mm > 800mm	+1.5 / -1.5mm +3 / -3mm												VARIANT 1 - MATT FINISH	GOD-MW							
TOLERANCE HOLES LOCATION		+3 / -3mm												OVERFLOW	NO	WASTE	REGULAR	TAPHOLE	0	MAIN DIMENSIONS		1100 X 1100 X 512
TOLERANCE HOLES DIAMETER		+1 / -1mm												NET WEIGHT	68g	GROSS WEIGHT	98kg	BATH VOLUME		FULL = 325 L OVERFLOW=***L		
TOLERANCE WALL THICKNESS		+1 / -1mm																				
TOLERANCE FEET LOCATION		+5 / -5mm																				



THE  
**LUXURY BATH**  
COMPANY