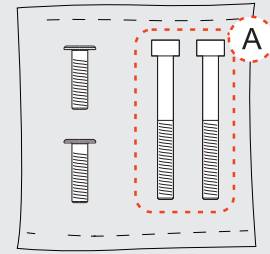
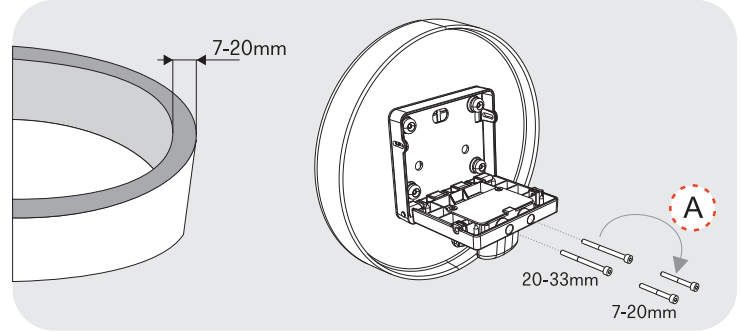


BAILEY

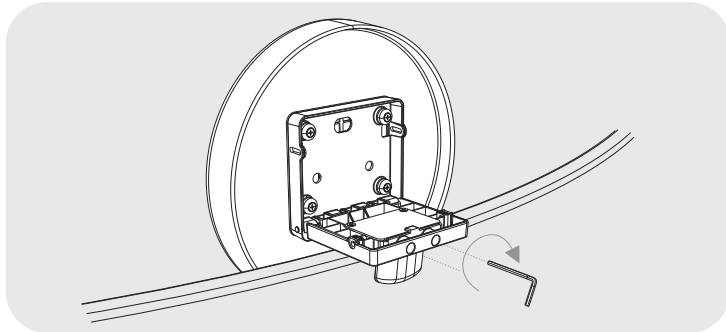
The Bailey is a container tray complete with an accessory for placement on the edge of the bathtub. Follow the assembly instructions for proper positioning



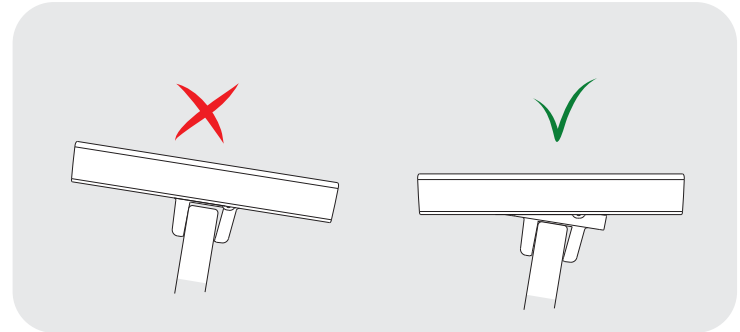
Kit for fastening with screws
- Screws for tub thickness 7-20mm **A**
- Angle adjustment locking screw



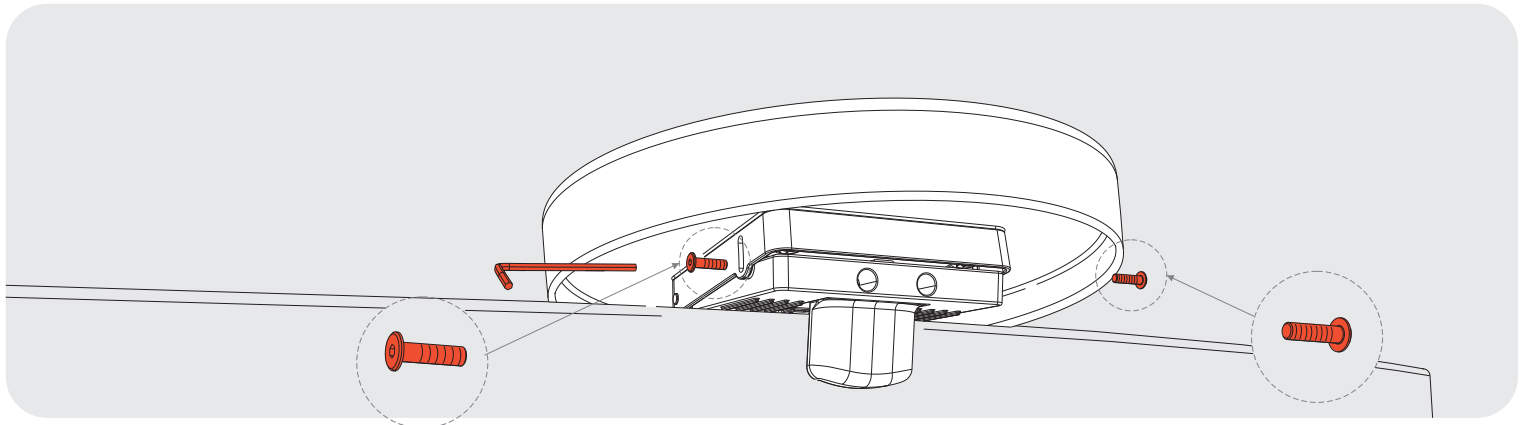
1
If the bathtub thickness is between 7 and 20mm, replace the screws in the mechanism with the screws "A" provided in the package using the included hex key.



2
Place the tray open on the edge of the bathtub and tighten the screws until you feel sufficient resistance.



3
Lower the shelf onto the mechanism and check for flatness. Once the flat position is found, secure the angle as shown in step 4.

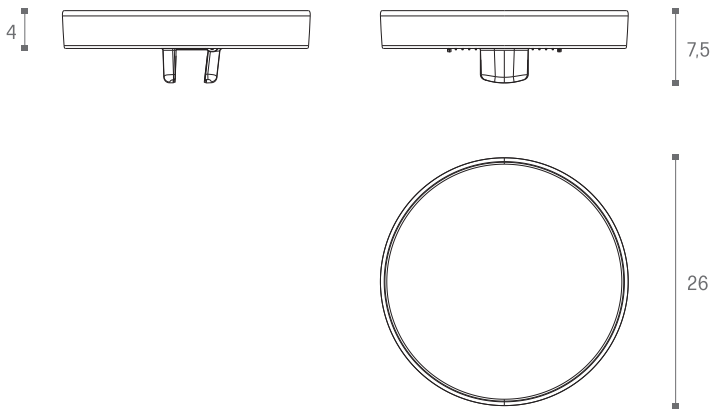


4
Insert and screw in the provided side screws to secure the shelf at the desired angle. The Bailey Bath Tray is now ready for use.

BAILEY

Container tray with clamp attachment

Product sheet



Materials

Tray with ABS structure.
Clamp made of thermoplastic material Blend PC-Abs with anti-scratch rubber elements.
Stainless steel screws (A2).

Usage

Container tray to be placed on the edge of the bathtub to hold what you need for your relaxation time.
Designed for use in a humid environment, it is water-resistant.
Do not use for purposes other than those indicated in this document.
Attention: Do not use as a handle, seat, or grip.

Cleaning

The tray should be cleaned with a damp and soft cloth and a neutral detergent, then allowed to dry naturally.
Do not use acidic, abrasive, or solvent-based products.

Disposal

For disposal, contact an authorized recycling company or take it to a separate collection center.

Warranty

LBC guarantees that the products will maintain their characteristics for 2 years from the delivery date, excluding normal wear and tear and provided they are used according to the provided instructions.
LBC will replace any product found not to comply with this warranty at no cost, without assuming any other liability.