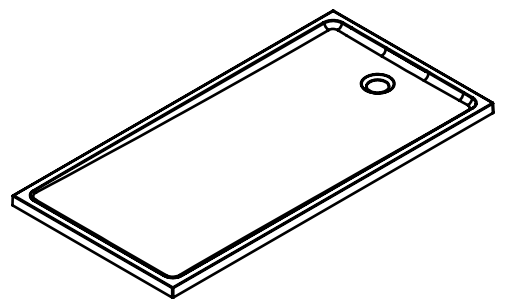
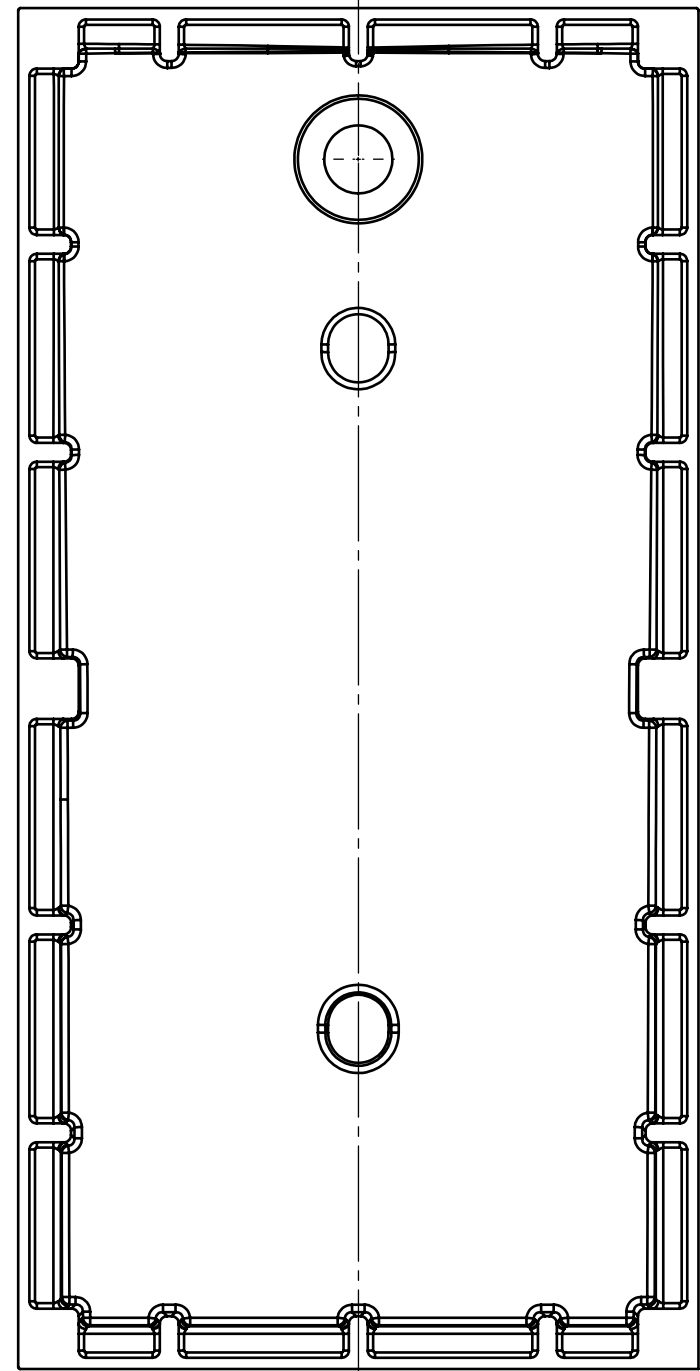


Bottom view



TOLERANCE LENGTH / WIDTH	+5/0mm	
TOLERANCE HEIGHT	+2/-2mm	
TOL. PLANE BENDING	≤ 1200mm	+2 / -2mm
	> 1200mm	+3 / -3mm
TOLERANCE THICKNESS	+2 / -2mm	
TOLERANCE FEET LOCATION	+7 / -7mm	
TOLERANCE HOLE OCATION	+2 / -2mm	
TOLERANCE HOLE DIAMETER	+1 / -1mm	

CREATED	DRAWN BY	CHECKED BY	DRAWING TITLE	DRAWING No.	CURRENT REV	SHEET	SHEET SIZE	SCALE	
17/02/21	MF	MF	LOWRY 1800 X 900 SHOWER TRAY	LOW-ST-18X9	-	1/1	A3	1:10	
				OVERFLOW	WASTE	TAPHOLE	MAIN DIMENSIONS		
				NO	COVER	0	1800 X 900 X 47		
				NET WEIGHT	GROSS WEIGHT				
				64.0kg	68.0kg				

THE LUXURY BATH COMPANY