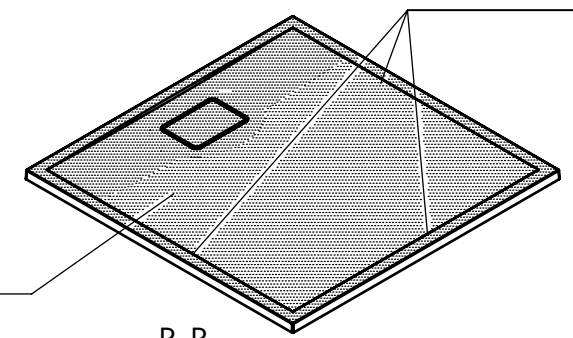


1 2 3 4 5 6 7 8

A B C D E F

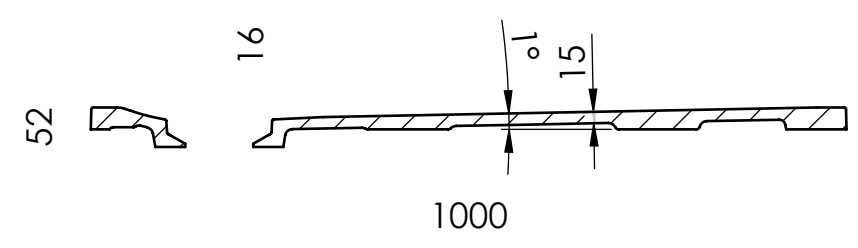
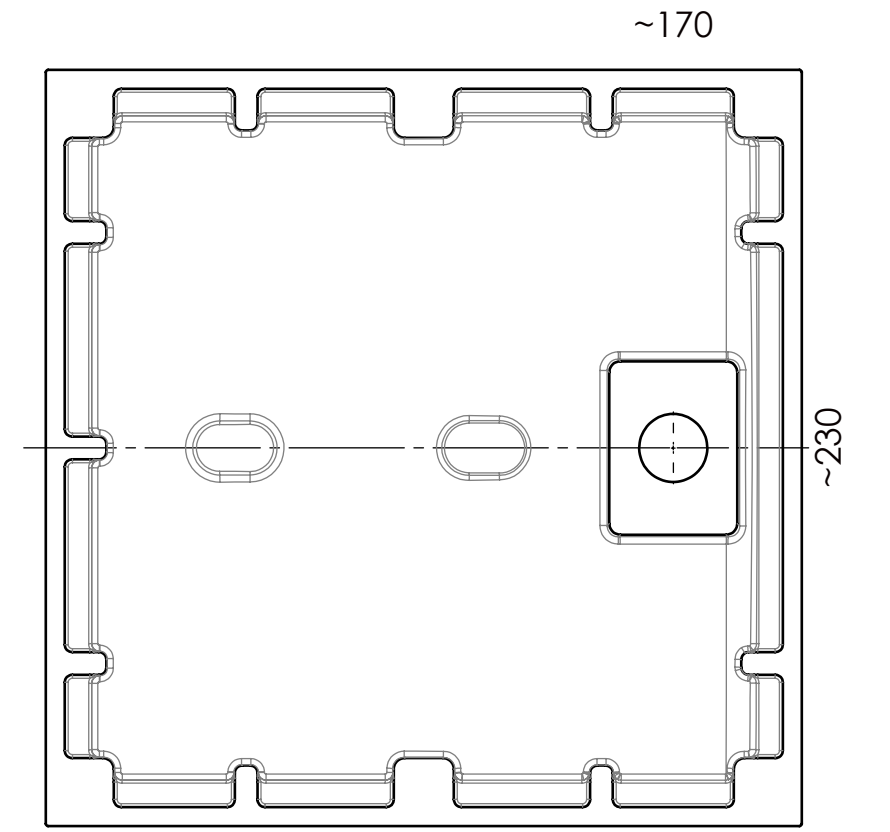
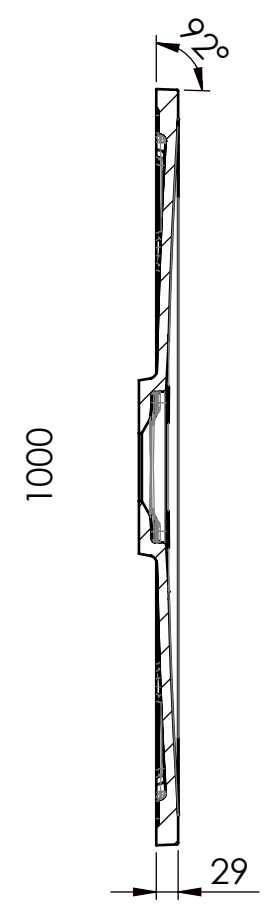
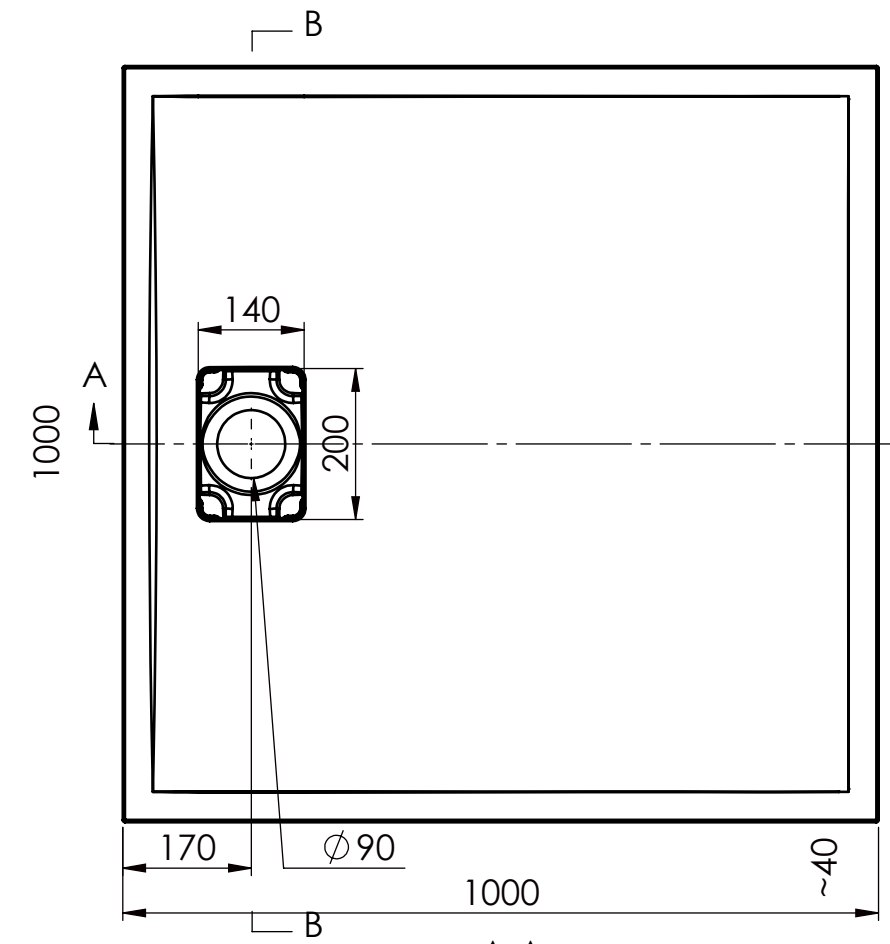
Invisible edges



Anti-slip structure MS012

B-B

Bottom view



TOLERANCE LENGTH / WIDTH		+5/0mm		CREATED	DRAWN BY	CHECKED BY	DRAWING TITLE	DRAWING No.	CURRENT REV	SHEET	SHEET SIZE	SCALE	
TOLERANCE HEIGHT		+2/-2mm		01/01/24	MF	MF	TURNER 1000 X 1000 SHOWER TRAY	TUR-ST-MW-10X10	-	1/1	A3	1:10	
TOL. PLANE BENDING	≤ 1200mm	+2 / -2mm											
	> 1200mm	+3 / -3mm											
TOLERANCE THICKNESS		+2 / -2mm											
TOLERANCE FEET LOCATION		+7 / -7mm											
TOLERANCE HOLE OCATION		+2 / -2mm											
TOLERANCE HOLE DIAMETER		+1 / -1mm											
OVERFLOW	WASTE	TAP/HOLE	MAIN DIMENSIONS										
NO	COVER	0	1000 X 1000 X 29										
NET WEIGHT	GROSS WEIGHT												
36kg	40kg												

1 2 3 4 5 6 7 8