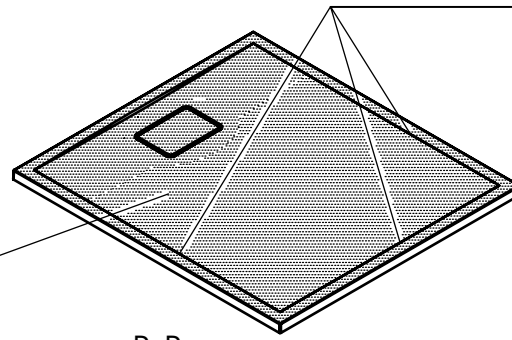


1 2 3 4 5 6 7 8

A B C D E F

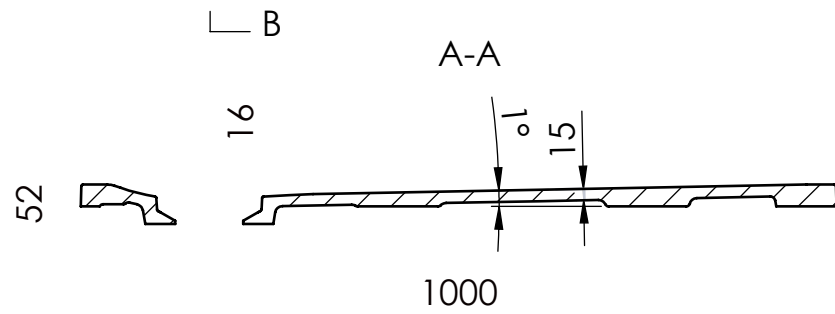
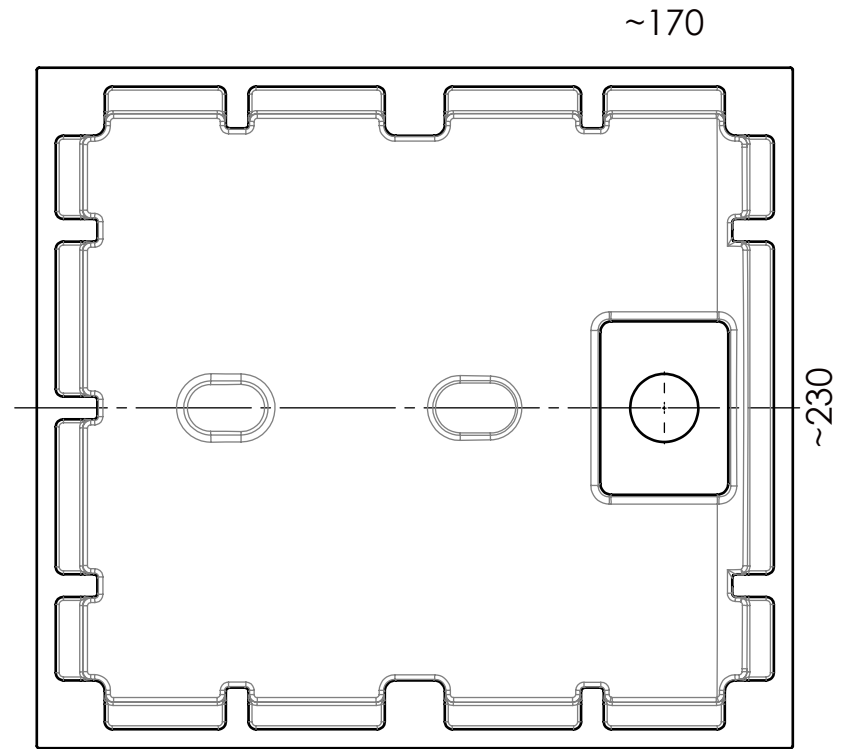
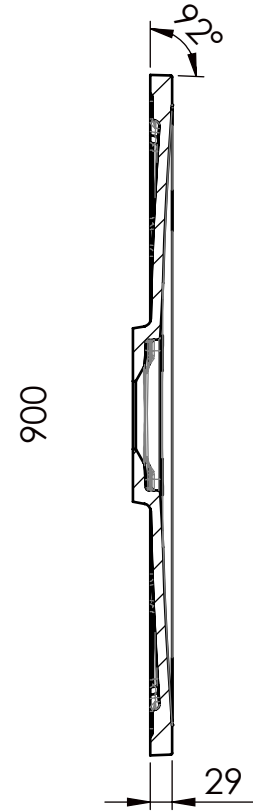
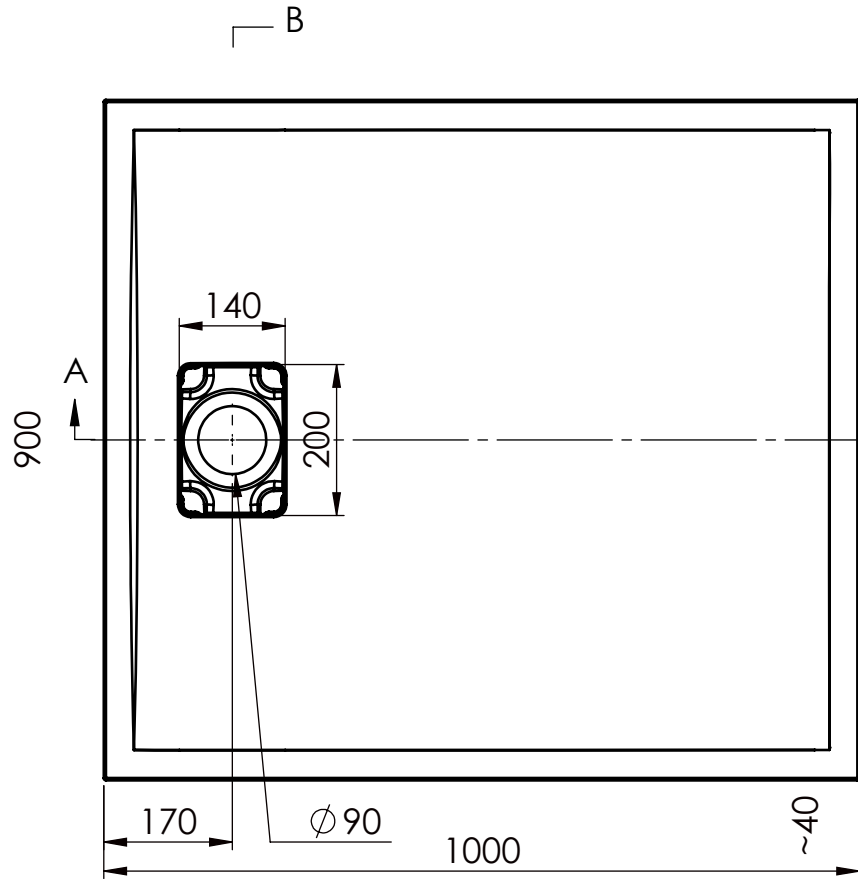
Invisible edges

Anti-slip structure MS012



B-B

Bottom view



TOLERANCE LENGTH / WIDTH	+5/0mm	CREATED	DRAWN BY	CHECKED BY	DRAWING TITLE	DRAWING No.	CURRENT REV	SHEET	SHEET SIZE	SCALE	
TOLERANCE HEIGHT	+2/-2mm	01/01/24	MF	MF	TURNER 1000 X 900 SHOWER TRAY	TUR-ST-MW-10X9	-	1/1	A3	1:10	
TOL. PLANE BENDING	≤ 1200mm > 1200mm										
TOLERANCE THICKNESS	+2 / -2mm										
TOLERANCE FEET LOCATION	+7 / -7mm										
TOLERANCE HOLE OCATION	+2 / -2mm										
TOLERANCE HOLE DIAMETER	+1 / -1mm										
								OVERFLOW	WASTE	TAPHOLE	MAIN DIMENSIONS
						NO	COVER	0	1000 X 900 X 29		
						NET WEIGHT	GROSS WEIGHT				
						33.3kg	37.3kg				

1 2 3 4 5 6 7 8